

ASSEMBLY INSTRUCTIONS

- Disconnect the power supply.
- Switch off the power or pull the plug out.
- Fix the bracket (A) to the wall using the screws (C) and the dowels (B) (FIG.1)
- Insert the metal structure into the pins of the brackets (A), until the rosette is completely inserted into the wall. (FIG.2)
- Screw the two security dowels (R). (FIG.2)

VERSION WITH LAMPSHADE

- Position the lampshade (E) by inserting it onto the lamp holder (D).
- Fix the lampshade (E) by tightening the ring nut (F) on the lamp holder (D).
- Screw the bulb to the lamp holder.

ATTENTION:

The safety of this fitting can only be guaranteed if these instructions are observed, during both installation and use. They must therefore be conserved.

The products of our production are suitable for the using in usual surroundings with standard temperature and humidity levels. All the operations have to be done by a technician.

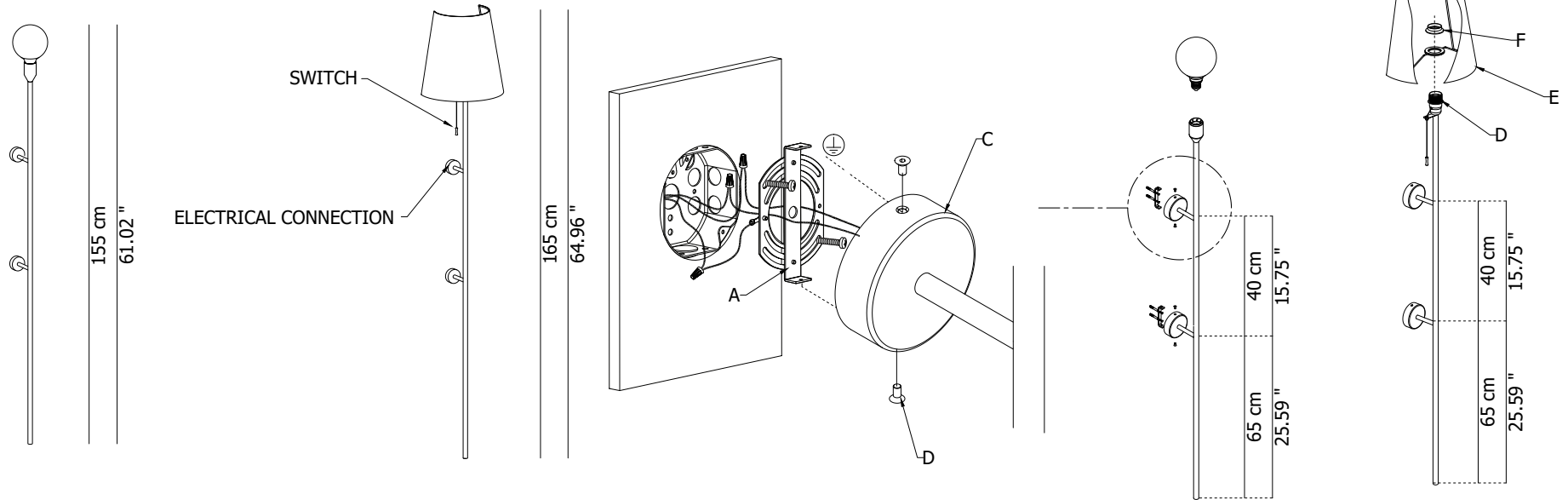
CLEANING:

Switch off the power or pull the plug out.

For the periodical cleaning of the lamp use always gloves and a soft cloth (for glossy surfaces) or a feather duster for the lampshade in fabric or pleated fabric. Don't use aggressive solvents or alcohol.

Avoid absolutely to fold parts which are not expected for folding, in this case welded parts are going to be damaged.

WEIGHT
Kg 5 / 11.01 lb



ASSEMBLY INSTRUCTIONS

- Disconnect the power supply.
- Fix on the wall the part (A) with screws and dowels.
- Make the connection inside the box (see wiring diagram on the right).
- Place the box on the wall and fix part (A) with box (C) with screws (D).

VERSION WITH LAMP SHADE

- Position the lampshade (E) by inserting it onto the lamp holder (D).
- Fix the lampshade (E) by tightening the ring nut (F) on the lamp holder (D).
- Screw the bulb to the lamp holder.

WEIGHT
Kg 5 / 11.01 lb

ATTENTION:

The safety of this fitting can only be guaranteed if these instructions are observed, during both installation and use. They must therefore be conserved.

The products of our production are suitable for the using in usual surroundings with standard temperature and humidity levels.

All the operations have to be done by a technician.

CLEANING:

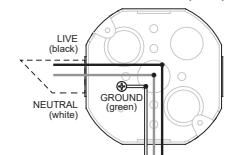
Switch off the power or pull the plug out.

For the periodical cleaning of the lamp use always gloves and a soft cloth (for glossy surfaces) or a feather duster for the lampshade in fabric or pleated fabric. Don't use aggressive solvents or alcohol.

Avoid absolutely to fold parts which are not expected for folding, in this case welded parts are going to be damaged.

WIRING DIAGRAM

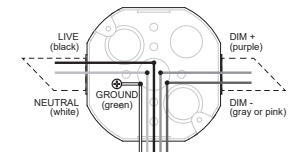
DIMMING 120V ONLY
TRIAC / ELV (LTE)



FIXTURE CABLES

WIRING DIAGRAM

DIMMING 120-277V
0-10V (D10)



FIXTURE CABLES

*Junction box for reference only