

# SCEPTER™

## INSTALLATION INSTRUCTIONS

TYPE:

PROJECT NAME:

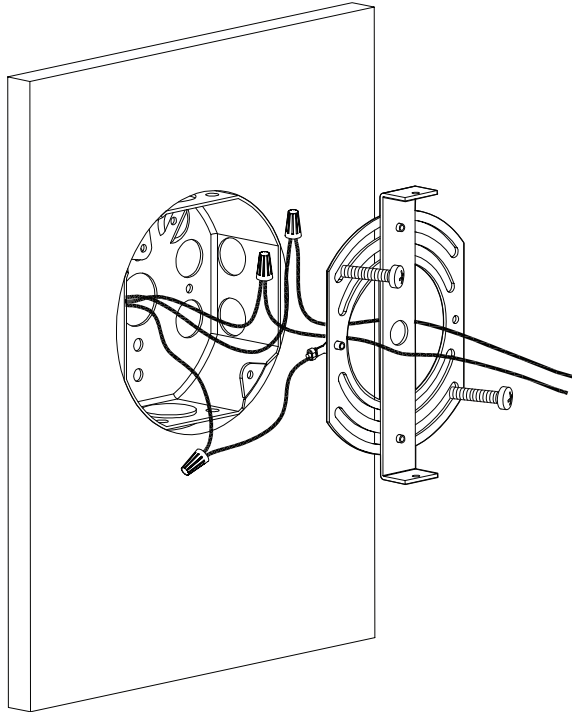
L6531175-xxx

L6531177-xxx

L6531182-xxx

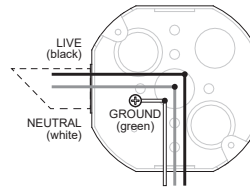
L6531185-xxx

**1**



### WIRING DIAGRAM

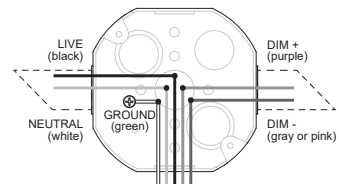
DIMMING 120V ONLY  
TRIAC / ELV (LTE)



FIXTURE CABLES

### WIRING DIAGRAM

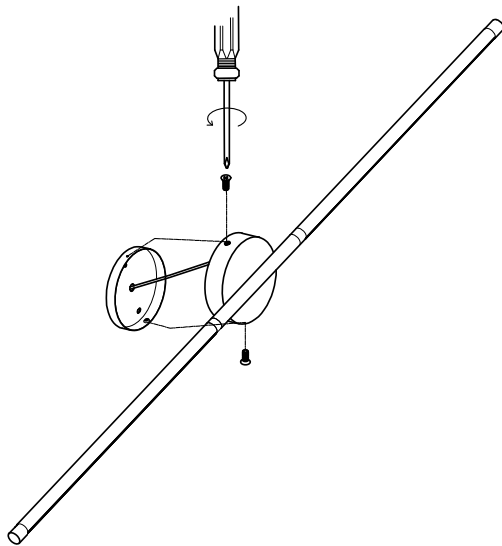
DIMMING 120-277V  
0-10V (D10)



FIXTURE CABLES

\*Junction box for reference only

**2**



**3**

