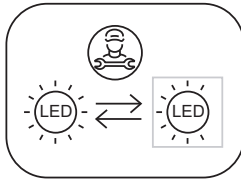


DAYTONA OVAL™

INSTALLATION INSTRUCTIONS

TYPE:

PROJECT NAME:

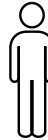


This product contains a light source of energy efficiency class D

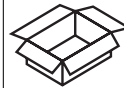
ATTENTION!



Assembling to be performed at least 3 people

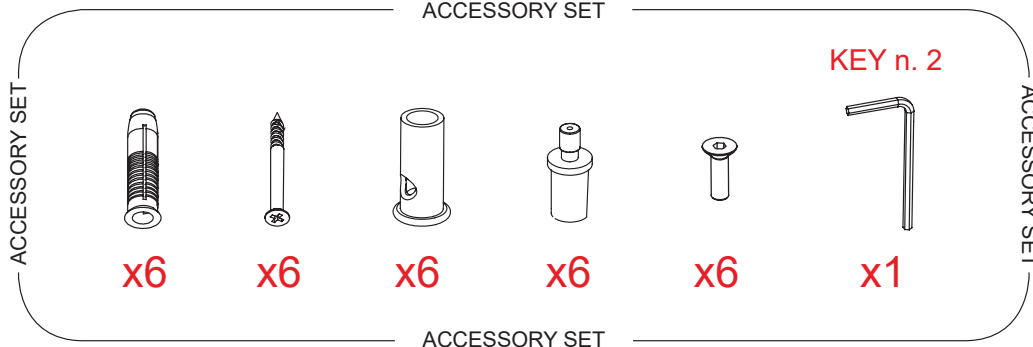


x3

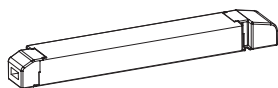


x1

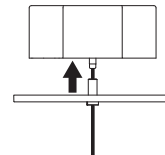
ACCESSORY SET



HARDWARE FOR REMOTE DRIVER

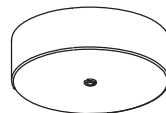


Remote Driver 24V



Junction Box with Plate

HARDWARE FOR SURFACE MOUNTED DRIVER



SURFACE MOUNTED DRIVER CANOPY

INSTALLATION INSTRUCTIONS

CAUTION RISK OF FIRE

This product requires installation by a qualified electrician. Before installation be sure to read all instructions and TURN THE POWER OF THE ELECTRICAL BOX OFF.

DAYTONA OVAL™

INSTALLATION INSTRUCTIONS

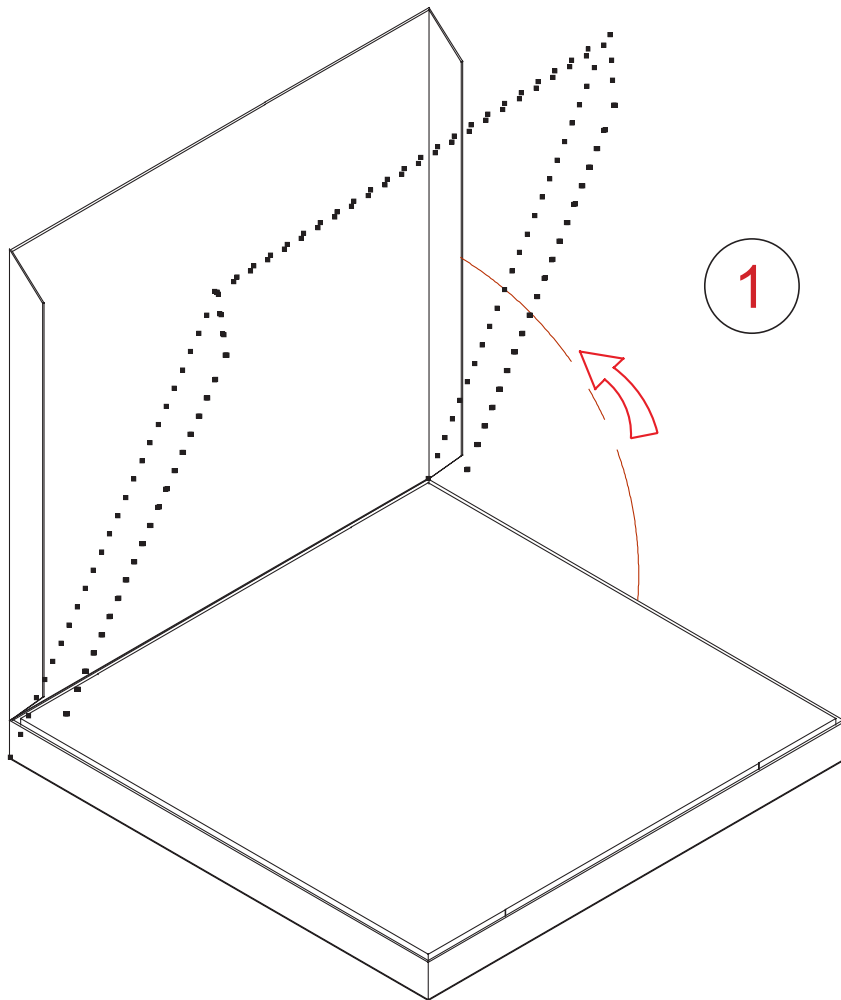
TYPE:

PROJECT NAME:



WARNING:

The item operates properly only if you strictly follow these instructions. Please keep it apart.
Please give end-user assembly, use and maintenance instructions.
When installing and whenever acting on the appliance, ensure that the power supply has been switched off.
For cleaning, use a wet cotton cloth. Please use only water.

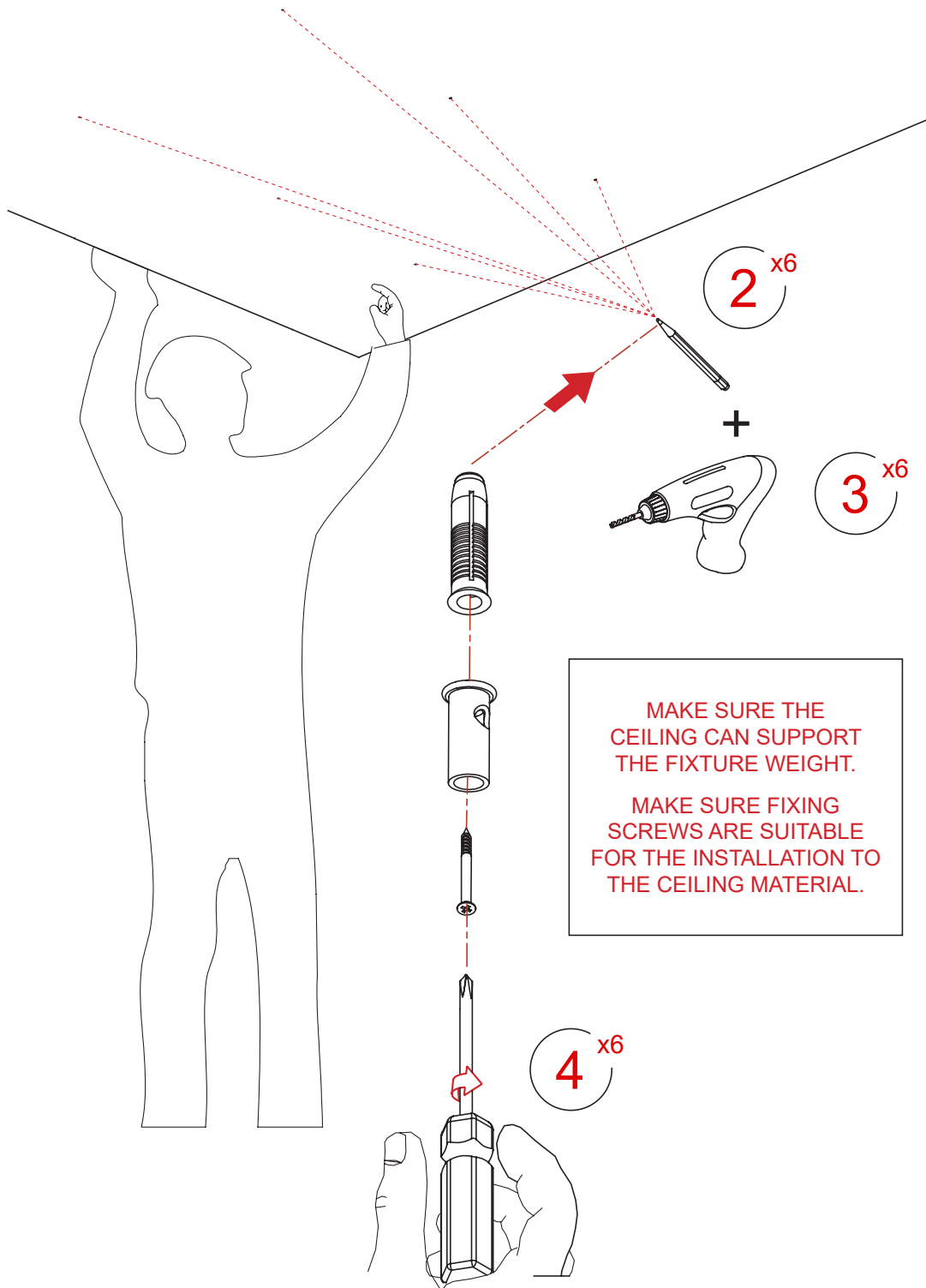


DAYTONA OVAL™

INSTALLATION INSTRUCTIONS

TYPE:

PROJECT NAME:



MAKE SURE THE
CEILING CAN SUPPORT
THE FIXTURE WEIGHT.

MAKE SURE FIXING
SCREWS ARE SUITABLE
FOR THE INSTALLATION TO
THE CEILING MATERIAL.

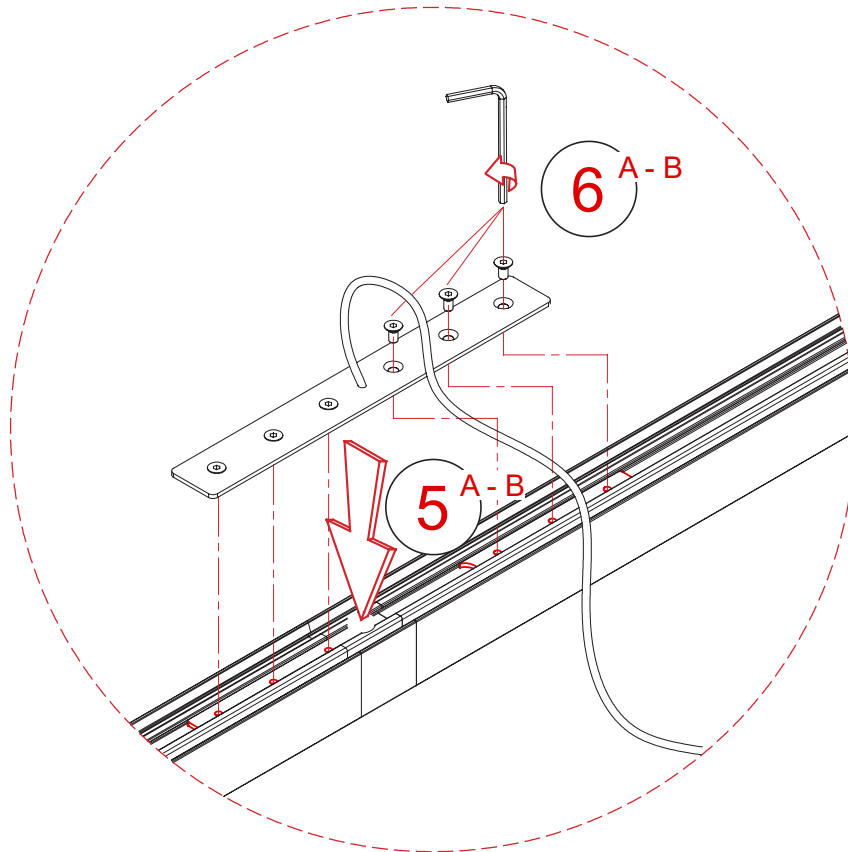
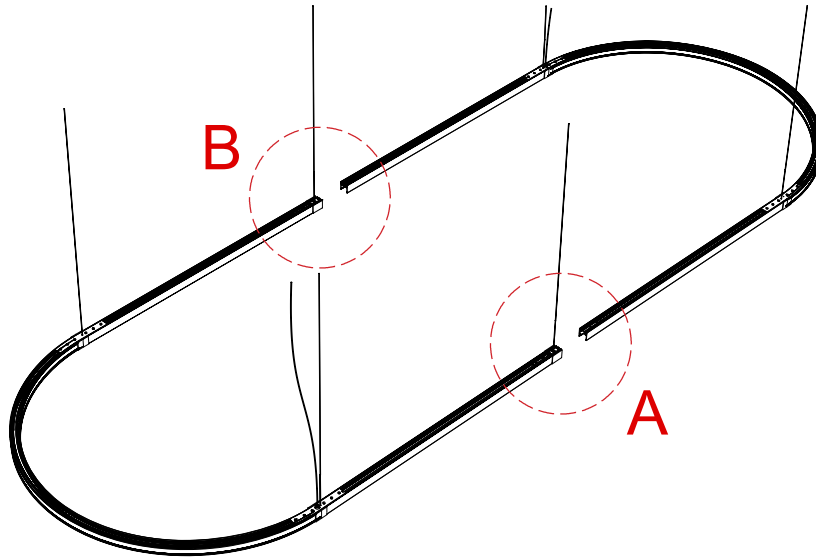
INSTALLATION SHEET

DAYTONA OVAL™

INSTALLATION INSTRUCTIONS

TYPE:

PROJECT NAME:



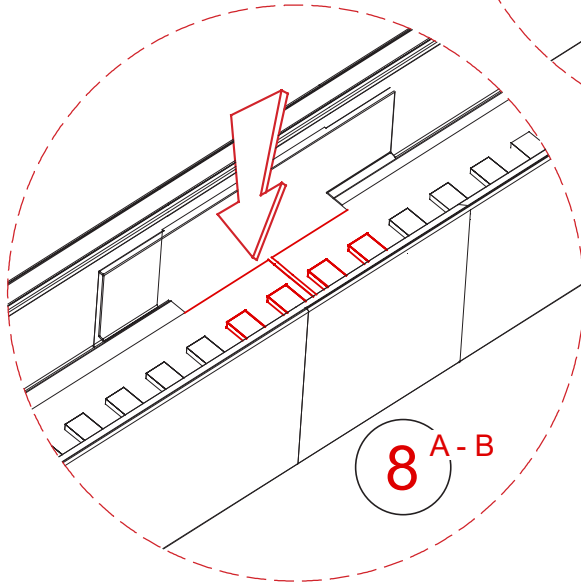
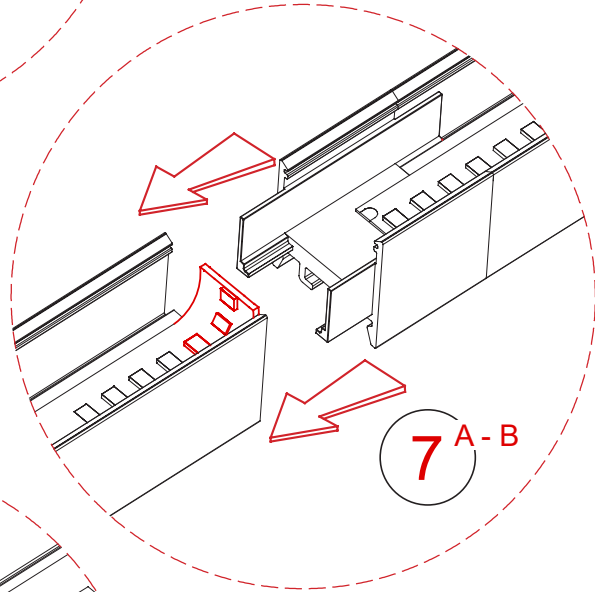
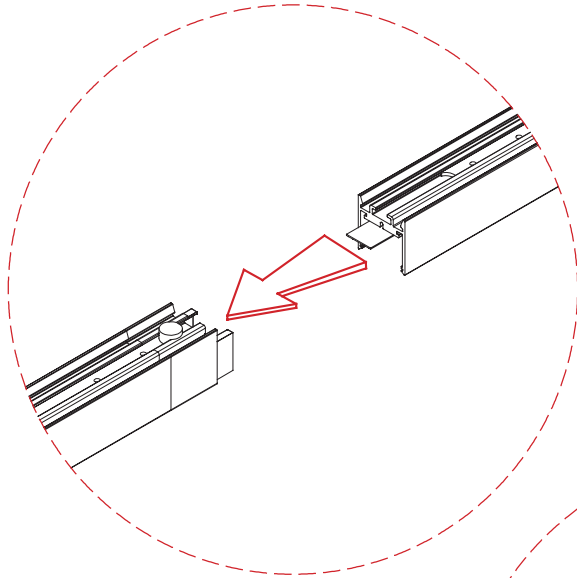
INSTALLATION SHEET

DAYTONA OVAL™

INSTALLATION INSTRUCTIONS

TYPE:

PROJECT NAME:



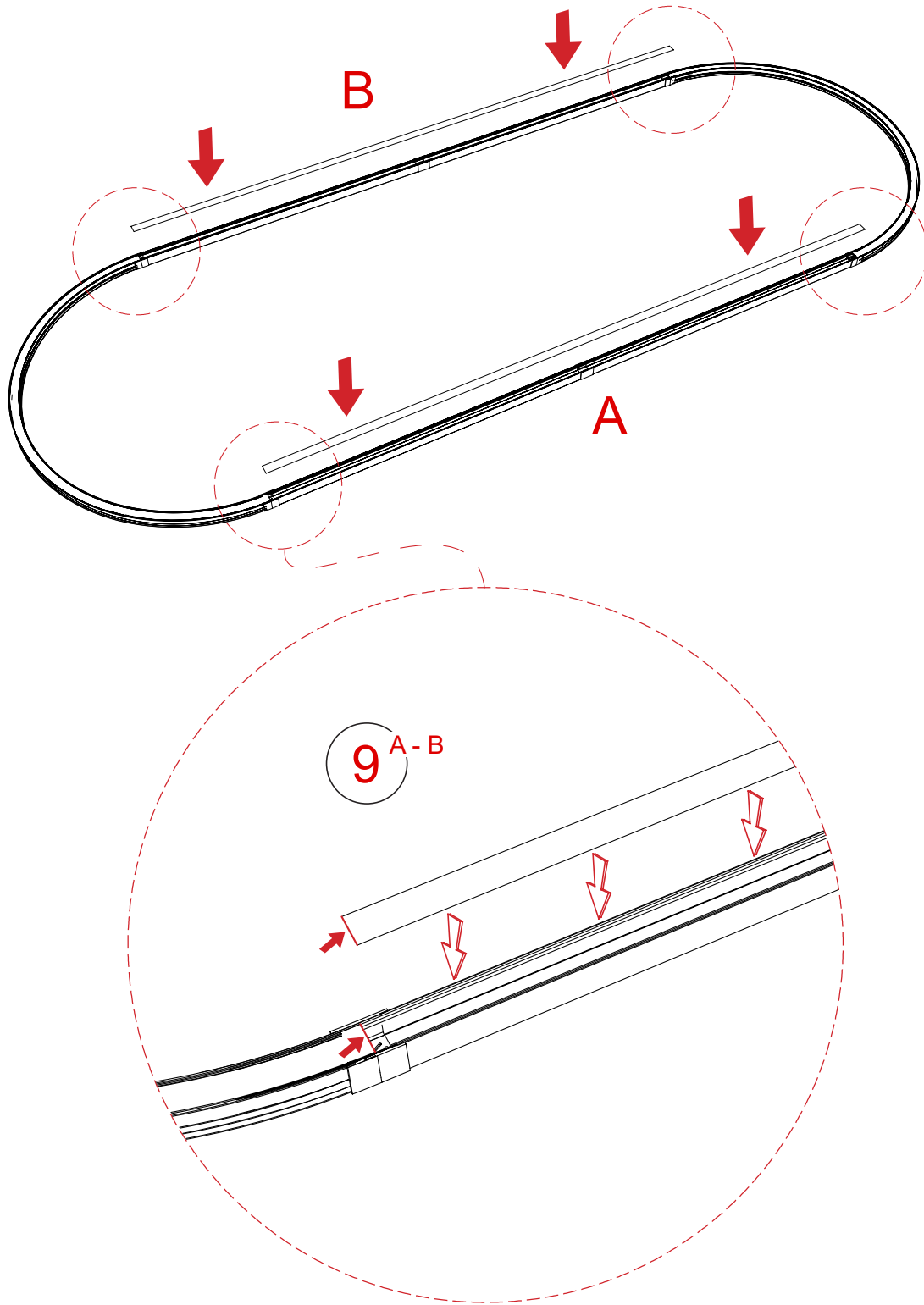
INSTALLATION SHEET

DAYTONA OVAL™

INSTALLATION INSTRUCTIONS

TYPE:

PROJECT NAME:



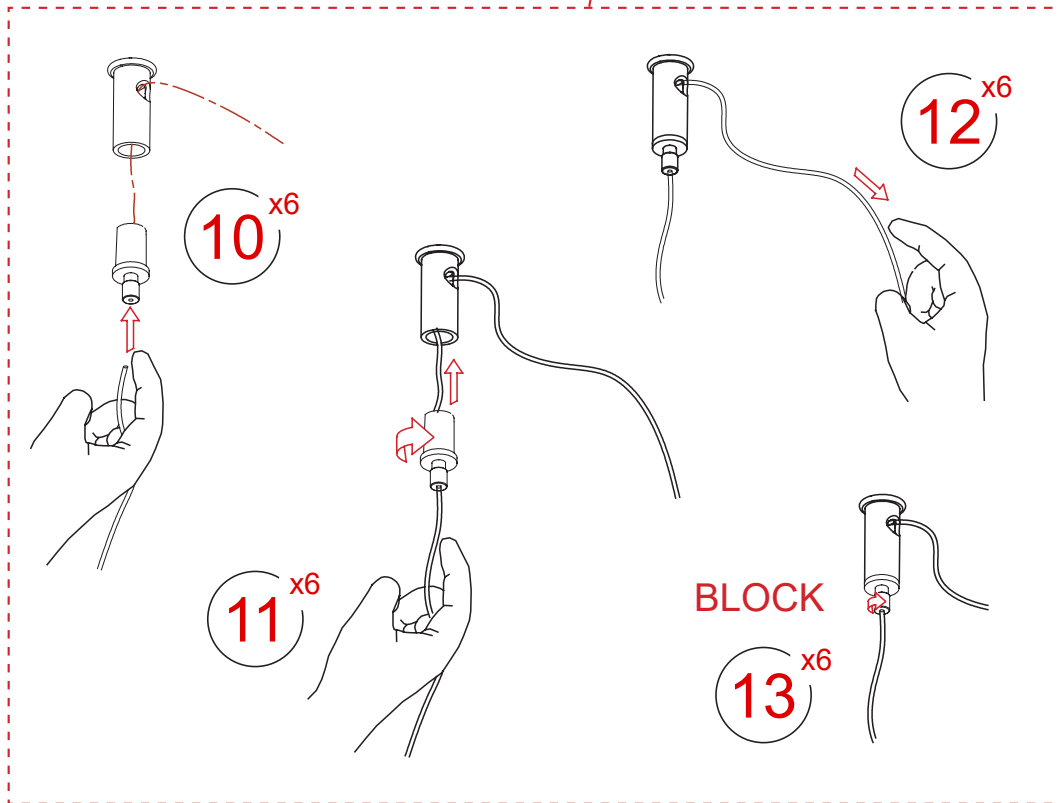
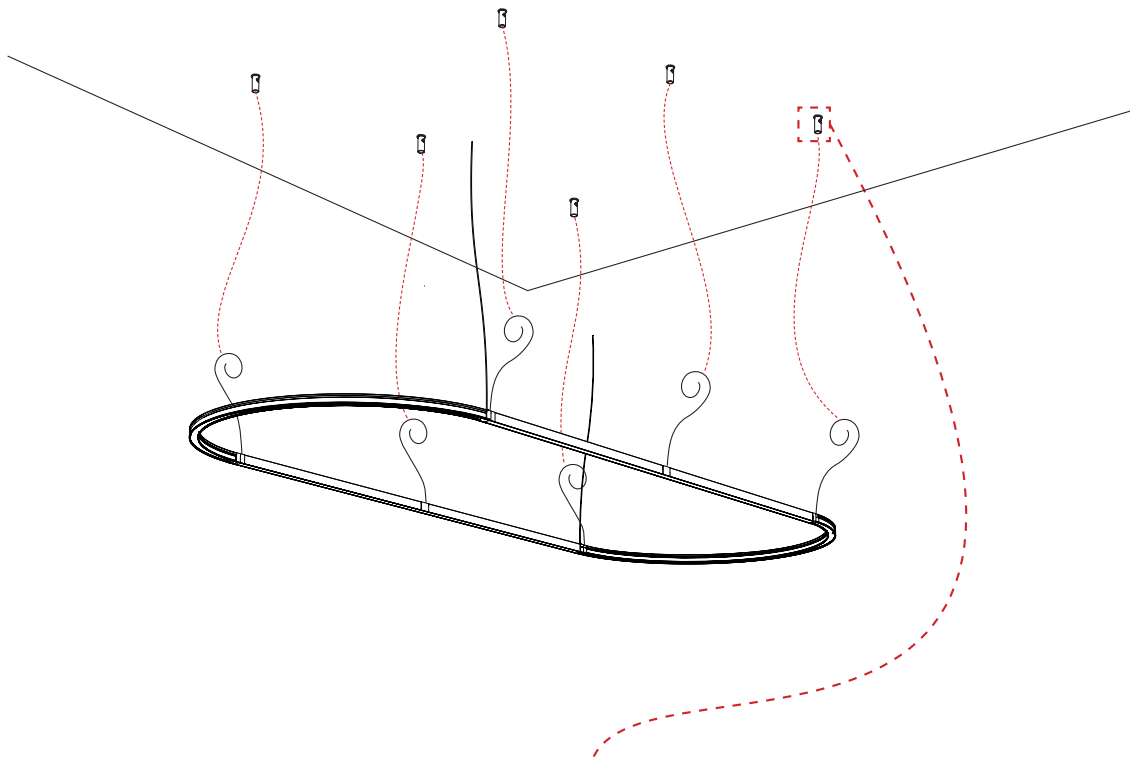
INSTALLATION SHEET

DAYTONA OVAL™

INSTALLATION INSTRUCTIONS

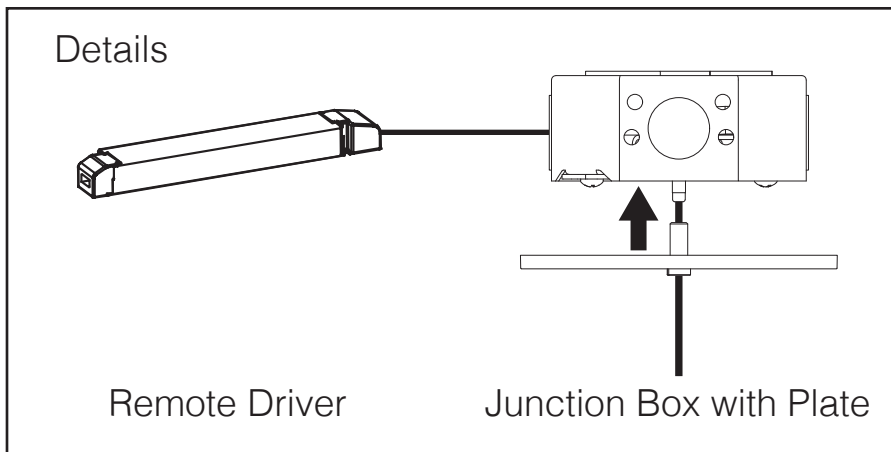
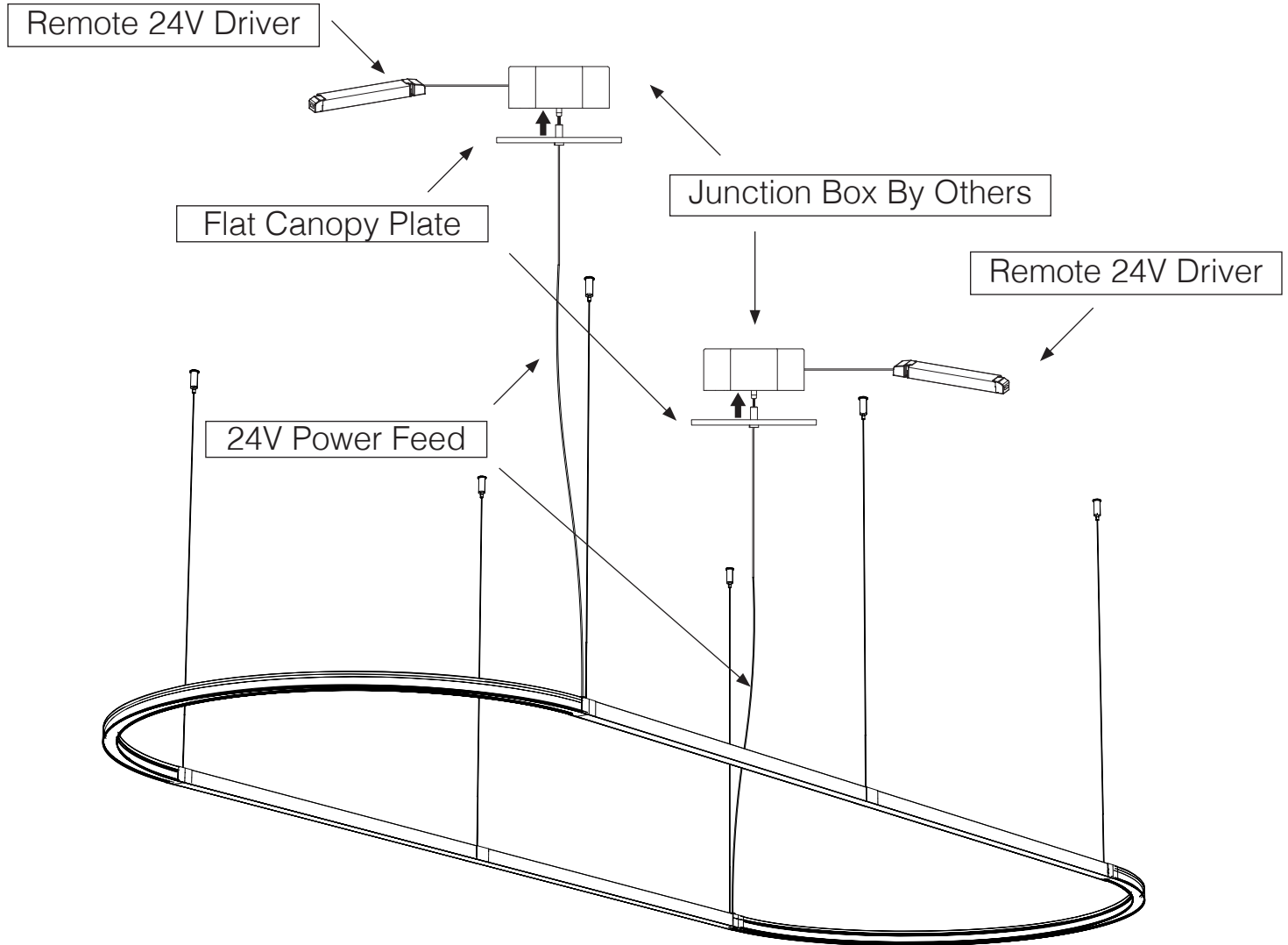
TYPE:

PROJECT NAME:



INSTALLATION SHEET

Remote Driver 24V Installation



INSTALLATION SHEET

Surface Mounted Driver Installation

