

# CANTHARELLUS™

BOLLARD

TYPE:

PROJECT NAME:



SPECIFICATION SHEET

**Luminart®**

WWW.LUMINARTLIGHTING.COM

# CANTHARELLUS™

BOLLARD

TYPE:

PROJECT NAME:

## Rounded cover

This profile avoids water stagnation.



## Adapter for Ø 60 mm poles

CANTHARELLUS can be installed and fixed on any type of Ø 60 mm pole available on the market by a very simple adapter.

## Structure

Upper part and body made of primary aluminum alloy with low copper content. Clear satin polycarbonate diffuser. Anti-glare aluminum internal cone.

The lamp body is provided with 2 cable glands for through wiring.



## Light distribution

The position of the LED module allows for directing the light downwards, minimizing upward light dispersion.

## Aluminum poles

Extruded aluminum smooth poles. Three heights available: 375, 800 and 1875 mm. CANTHARELLUS Ø 150 version is recommended for 375 mm (14.76") poles and the 200 version for 800 or 1875 mm (31.49" or 73.81") poles.

SPECIFICATION SHEET

**Luminart®**

WWW.LUMINARTLIGHTING.COM

# CANTHARELLUS™

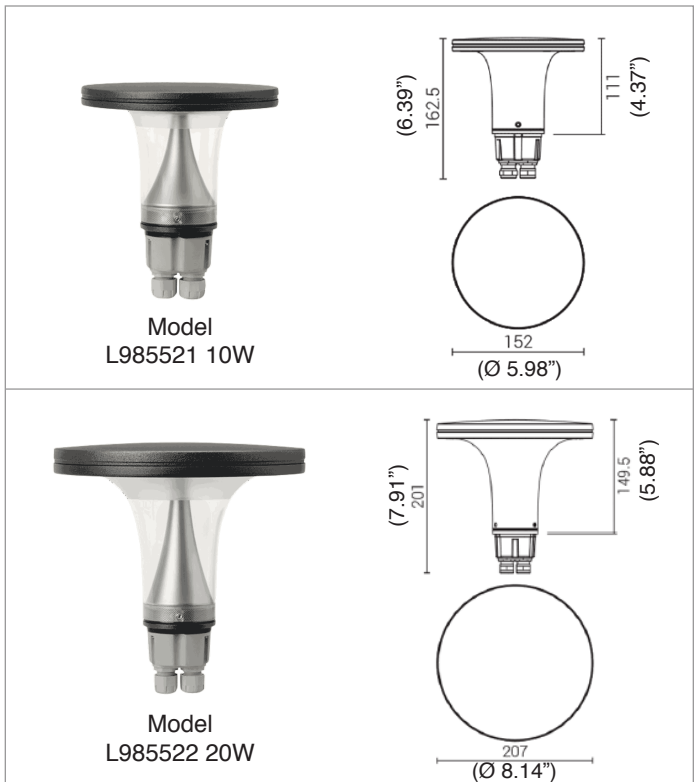
BOLLARD

TYPE:

PROJECT NAME:



Outdoor lighting fixture for pole mounting. Upper part and body made of low copper content primary aluminum alloy. Clear satin polycarbonate diffuser. Anti-glare aluminum internal cone. Downward light diffusion.



**Power input:** 10W or 20W

**Light emission direction:** Direct

**Pole Options:**

Steel Pole 375mm (14.76"), Steel Pole 800mm (31.49"), Steel Pole 1875 mm (73.81") (see dimension on page 4).

**Materials:** Aluminum structure

**Electrical:** High efficiency electronic power supply, rated 50,000 hours 120V-277V

**Dimming:** Power supply compatible with 0-10V or LTE dimming

**Cable:** Through wiring with two cable glands inside the wiring box.

**Structure finish:** Anthracite



**Light source:** LED

2700K: 80CRI  
3000K: 80CRI  
4000K: 80CRI

**Source lumens:** 10W: 1150 lm, 20W: 2300 lm

**Lumen Output:** 10W: 863 lm, 20W: 1849 lm

SPECIFICATION SHEET

**ORDERING INFO**

Model (Order Code)	Structure Finish	Pole Mounting Option*	LED	Dimming Options
<input type="radio"/> L985521 10W	<input type="radio"/> AN: Anthracite	<input type="radio"/> L983421: Pole 375 (14.76") + L985519: Plate	<input type="radio"/> 2700K	<input type="radio"/> 120V LTE
<input type="radio"/> L985522 20W		<input type="radio"/> L983422: Pole 800 (31.49") + L985519: Plate	<input type="radio"/> 3000K	<input type="radio"/> 120V 0-10V
		<input type="radio"/> L983423: Pole 1875 (73.81") + L985519: Plate	<input type="radio"/> 4000K	<input type="radio"/> 277V 0-10V



\*See pole mounting options on page 4-5.

# CANTHARELLUS™

BOLLARD - POLE

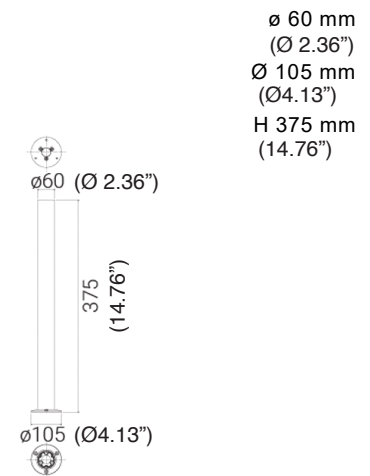
TYPE:

PROJECT NAME:

CODE NO. L983421 **AN** AN = Anthracite



Pole H 375 mm (14.76")

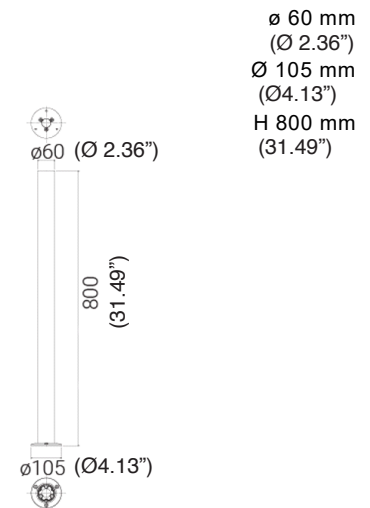


$\varnothing 60$  mm  
( $\varnothing 2.36''$ )  
 $\varnothing 105$  mm  
( $\varnothing 4.13''$ )  
H 375 mm  
(14.76")

CODE NO. L983422 **AN** AN = Anthracite



Pole H 800 mm (31.49")

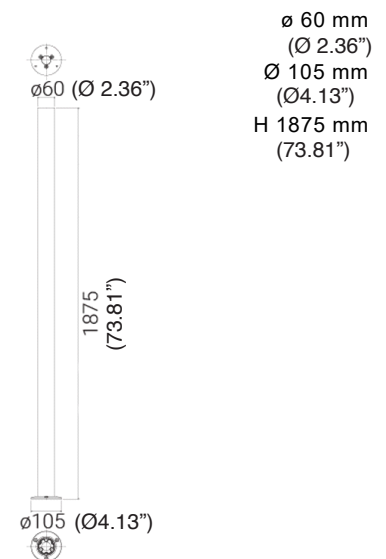


$\varnothing 60$  mm  
( $\varnothing 2.36''$ )  
 $\varnothing 105$  mm  
( $\varnothing 4.13''$ )  
H 800 mm  
(31.49")

CODE NO. L983423 **AN** AN = Anthracite



Pole 1875 mm (73.81")



$\varnothing 60$  mm  
( $\varnothing 2.36''$ )  
 $\varnothing 105$  mm  
( $\varnothing 4.13''$ )  
H 1875 mm  
(73.81")

SPECIFICATION SHEET

# CANTHARELLUS™

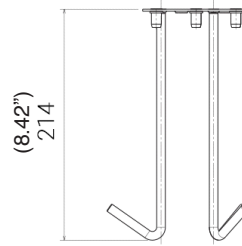
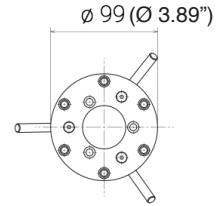
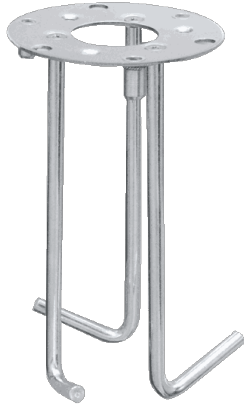
BOLLARD - PLATE

TYPE:

PROJECT NAME:

CODE NO. L985519

Ø 99 mm  
(Ø 3.89")  
H 214 mm  
(8.42")



SPECIFICATION SHEET