

IANUS™ 120

BOLLARD

TYPE:

PROJECT NAME:



SPECIFICATION SHEET

Luminart®

WWW.LUMINARTLIGHTING.COM

IANUS™ 120

BOLLARD

TYPE:

PROJECT NAME:

Structure

- Entirely in primary low-copper grade aluminium alloy
- Light source inside the photo-etched lenticular opal diffuser for a wide and uniform light distribution
- Color matching side-locking stainless steel screws



Monolithic

The simplicity of the shape and pure lines of IANUS 120 give it a strong and robust character, which is materialized with the realization through a single die-casting mold in primary aluminum alloy, reducing the visible parts to a minimum.



Designed for luminous performance

The research of geometry and proportions allowed the ideal positioning of the IANUS 120 light source. The particular shape of the opalized diffuser allows to maximize the output and the width of the light.



Watertight wiring through the supplied cable that powers the integrated driver. Further M16 entry for additional wiring, positioned in the lower part of the closing cap in technopolymer.

IANUS™ 120 MONO

BOLLARD - 600H

TYPE:

PROJECT NAME:



Pole for garden and urban lighting. Structure entirely in low-copper grade primary aluminium alloy

Power input: 8W

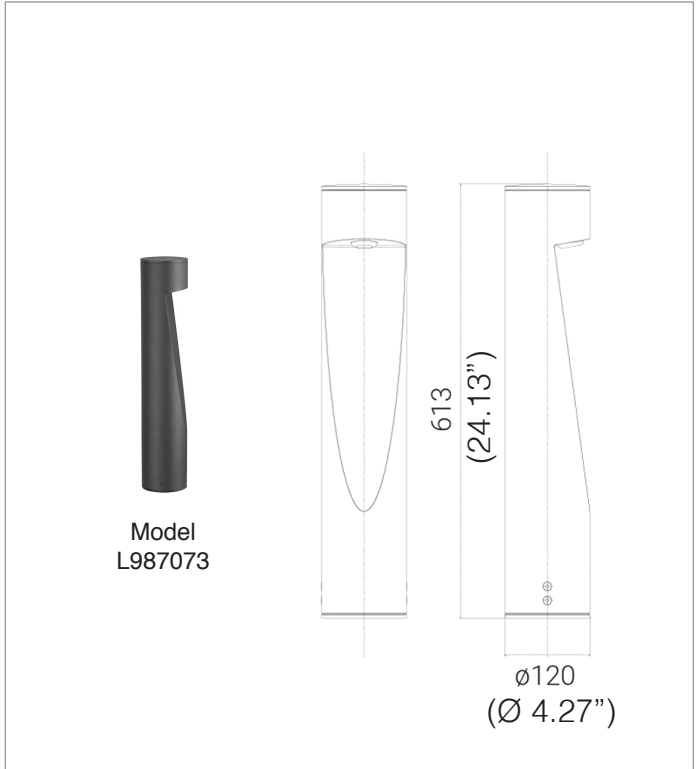
Light emission direction: Direct

Pole Options:
Anchoring Plate #5538 needed

Materials: Aluminum structure

Electrical: High efficiency electronic power supply, rated 50,000 hours 120V-277V

Dimming: Power supply compatible with 0-10V or LTE dimming



Structure finish: Anthracite, Aluminum Grey



Light source: LED
3000K: 80CRI
4000K: 80CRI

Source lumens: 951 lm

Lumen Output: 515 lm

SPECIFICATION SHEET

ORDERING INFO

Model (Order Code)	Structure Finish	Pole Mounting Option*	LED	Driver Options
<input type="radio"/> L987073 8W	<input type="radio"/> A: Anthracite <input type="radio"/> AG: Aluminum Grey	<input type="radio"/> Anchoring Plate #5538	<input type="radio"/> 3000K <input type="radio"/> 4000K	<input type="radio"/> 120V Phase Dimming <input type="radio"/> 120V 0-10V Dimming <input type="radio"/> 277V 0-10V Dimming



*See pole mounting options on the last page.

Luminart®

WWW.LUMINARTLIGHTING.COM

IANUS™ 120 BI

BOLLARD - 600H

TYPE:

PROJECT NAME:



Pole for garden and urban lighting. Structure entirely in low-copper grade primary aluminium alloy

Power input: 15W

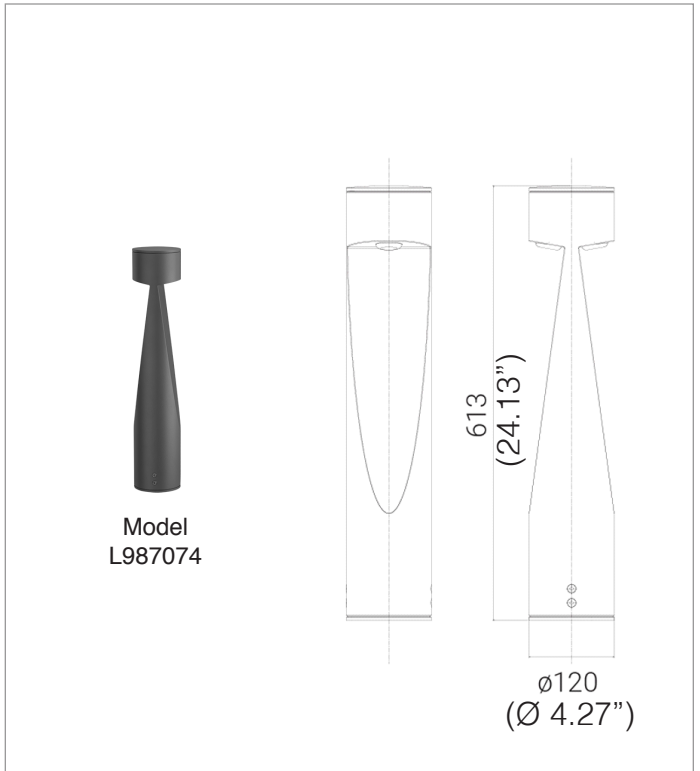
Light emission direction: Direct

Pole Options:
Anchoring Plate #5538 needed

Materials: Aluminum structure

Electrical: High efficiency electronic power supply, rated 50,000 hours 120V-277V

Dimming: Power supply compatible with 0-10V or LTE dimming



Structure finish: Anthracite, Aluminum Grey



Light source: LED
3000K: 80CRI
4000K: 80CRI

Lumen Output: 1030 lm

SPECIFICATION SHEET

ORDERING INFO

Model (Order Code)	Structure Finish	Pole Mounting Option*	LED	Driver Options
<input type="radio"/> L987074 15W	<input type="radio"/> A: Anthracite <input type="radio"/> AG: Aluminum Grey	<input type="radio"/> Anchoring Plate #5538	<input type="radio"/> 3000K <input type="radio"/> 4000K	<input type="radio"/> 120V Phase Dimming <input type="radio"/> 120V 0-10V Dimming <input type="radio"/> 277V 0-10V Dimming



*See pole mounting options on the last page.

Luminart®

WWW.LUMINARTLIGHTING.COM

IANUS™ 120 MONO

BOLLARD - 1000H

TYPE:

PROJECT NAME:



Pole for garden and urban lighting. Structure entirely in low-copper grade primary aluminium alloy

Power input: 8W

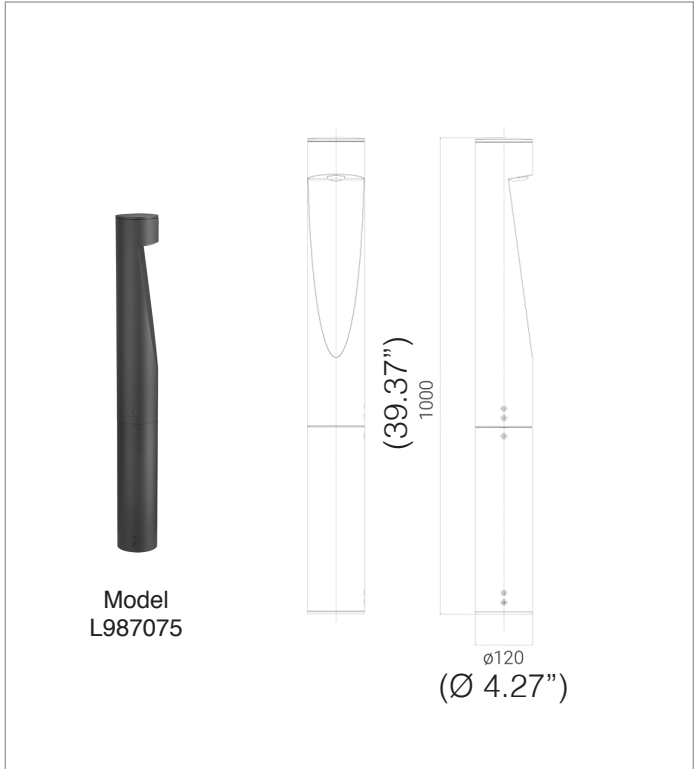
Light emission direction: Direct

Pole Options:
Anchoring Plate #5538 needed

Materials: Aluminum structure

Electrical: High efficiency electronic power supply, rated 50,000 hours 120V-277V

Dimming: Power supply compatible with 0-10V or LTE dimming



Structure finish: Anthracite, Aluminum Grey



Light source: LED
3000K: 80CRI
4000K: 80CRI

Source lumens: 951 lm

Lumen Output: 515 lm

SPECIFICATION SHEET

ORDERING INFO

Model (Order Code)	Structure Finish	Pole Mounting Option*	LED	Driver Options
<input type="radio"/> L987075 8W	<input type="radio"/> A: Anthracite <input type="radio"/> AG: Aluminum Grey	<input type="radio"/> Anchoring Plate #5538	<input type="radio"/> 3000K <input type="radio"/> 4000K	<input type="radio"/> 120V Phase Dimming <input type="radio"/> 120V 0-10V Dimming <input type="radio"/> 277V 0-10V Dimming



*See pole mounting options on the last page.

Luminart®

WWW.LUMINARTLIGHTING.COM

IANUS™ 120 BI

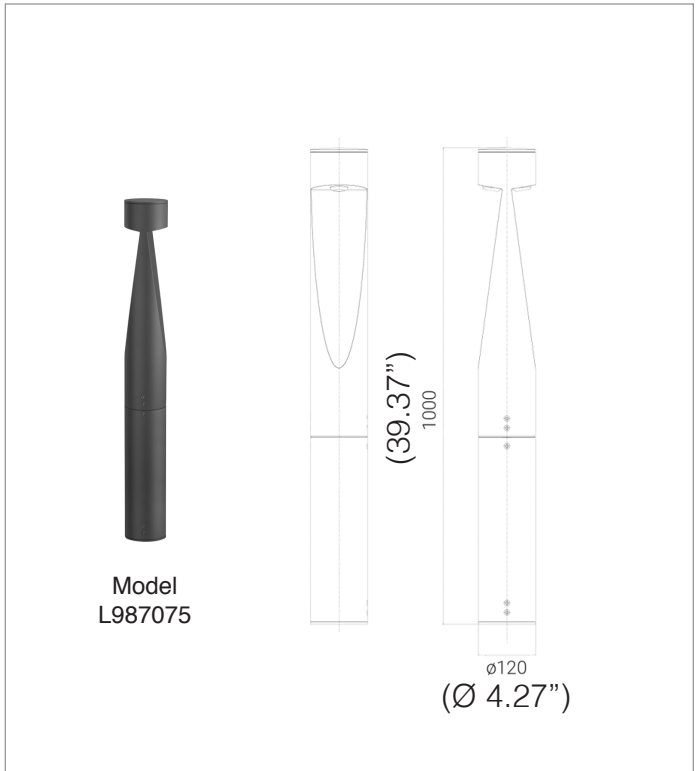
BOLLARD - 1000H

TYPE:

PROJECT NAME:



Pole for garden and urban lighting. Structure entirely in low-copper grade primary aluminium alloy



Model
L987075

ø120
(Ø 4.27")

Power input: 15W

Light emission direction: Direct

Pole Options:
Anchoring Plate #5538 needed

Materials: Aluminum structure

Electrical: High efficiency electronic power supply, rated 50,000 hours 120V-277V

Dimming: Power supply compatible with 0-10V or LTE dimming

Structure finish: Anthracite, Aluminum Grey



Light source: LED
3000K: 80CRI
4000K: 80CRI

Lumen Output: 1030 lm

SPECIFICATION SHEET

ORDERING INFO

Model (Order Code)	Structure Finish	Pole Mounting Option*	LED	Driver Options
<input type="radio"/> L987076 15W	<input type="radio"/> A: Anthracite <input type="radio"/> AG: Aluminum Grey	<input type="radio"/> Anchoring Plate #5538	<input type="radio"/> 3000K <input type="radio"/> 4000K	<input type="radio"/> 120V Phase Dimming <input type="radio"/> 120V 0-10V Dimming <input type="radio"/> 277V 0-10V Dimming



*See pole mounting options on the last page.

Luminart®

WWW.LUMINARTLIGHTING.COM

IANUS™ 120

ACCESSORIES - PLATE WITH ANCHORING

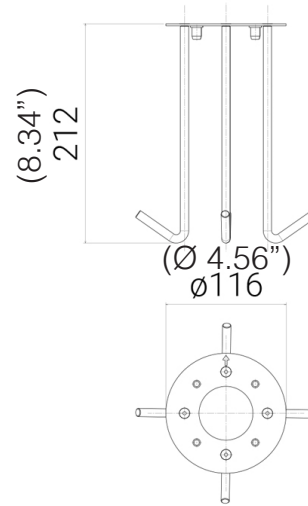
TYPE:

PROJECT NAME:

Plate with anchoring set

CODE NO. **5538**

Ø 116 mm
(Ø 4.56")
H 212 mm
(8.34")



AISI 304 stainless steel plate with 4 ground anchors

To be installed with codes 7073-7074-7075-7076

SPECIFICATION SHEET

Luminart®

WWW.LUMINARTLIGHTING.COM