

# IANUS™ 60

BOLLARD

TYPE:

PROJECT NAME:



SPECIFICATION SHEET

**Luminart®**

WWW.LUMINARTLIGHTING.COM

# IANUS™ 60

BOLLARD

TYPE:

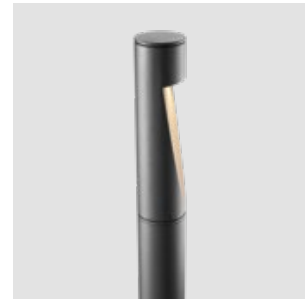
PROJECT NAME:

## Structure

- Pole-top in primary low-copper grade aluminium alloy
- Shielded LED inside the diffuser
- Driver incorporated in the pole-top



The pole-top is equipped with two M16 cable glands to allow through wiring.



## Poles

Smooth poles in extruded aluminum. Available in 2 heights: 375 mm and 800 mm (1875 mm only available for ground fixing base pole).

## Purity of shape

The clean cylindrical volume of IANUS 60 is expressed in the cut of the light source, to enhance the effect of the inclined plane in a balance of light and shadow. The accuracy of the project allows it to be identical in the double emission version specularly.

SPECIFICATION SHEET

# IANUS™ 60 MONO

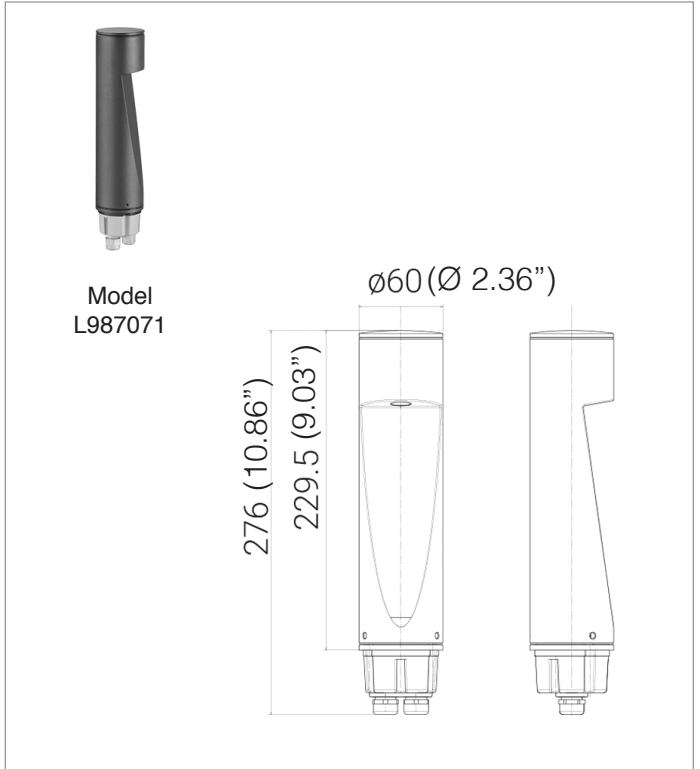
BOLLARD

TYPE:

PROJECT NAME:



Outdoor lighting fixture for pole mounting. Pole-top in low-copper grade primary aluminum alloy, equipped with two M16 cable glands to allow through wiring.



**Power input:** 4.6W

**Light emission direction:** Direct

**Pole Options:**

Steel Pole with anchoring plate:

#3401: 375mm (14.76")

#3402: 800mm (31.49")

Steel Pole with ground fixing base:

#3421: 375mm (14.76")

#3422: 800mm (31.49")

#3423: 1875mm (73.81")

**Materials:** Aluminum structure

**Electrical:** High efficiency electronic power supply, rated 50,000 hours 120V-277V

**Dimming:** Power supply compatible with 0-10V or LTE dimming

**Structure finish:** Anthracite, Aluminum Grey



**Light source:** LED

3000K: 80CRI

4000K: 80CRI

**Source lumens:** 430 lm

**Lumen Output:** 115 lm

SPECIFICATION SHEET

**ORDERING INFO**

Model (Order Code)	Structure Finish	Pole Mounting Option*	LED	Driver Options
<input type="radio"/> L987071 4.6W	<input type="radio"/> A: Anthracite <input type="radio"/> AG: Aluminum Grey	<input type="radio"/> Pole#3401 + Anchoring Plate#5518 <input type="radio"/> Pole#3402 + Anchoring Plate#5518 <input type="radio"/> Pole#3421 with ground fixing base <input type="radio"/> Pole#3422 with ground fixing base <input type="radio"/> Pole#3423 with ground fixing base	<input type="radio"/> 3000K <input type="radio"/> 4000K	<input type="radio"/> 120V Phase Dimming <input type="radio"/> 120V 0-10V Dimming <input type="radio"/> 277V 0-10V Dimming



\*See pole mounting options on page 5-8.

# IANUS™ 60 BI

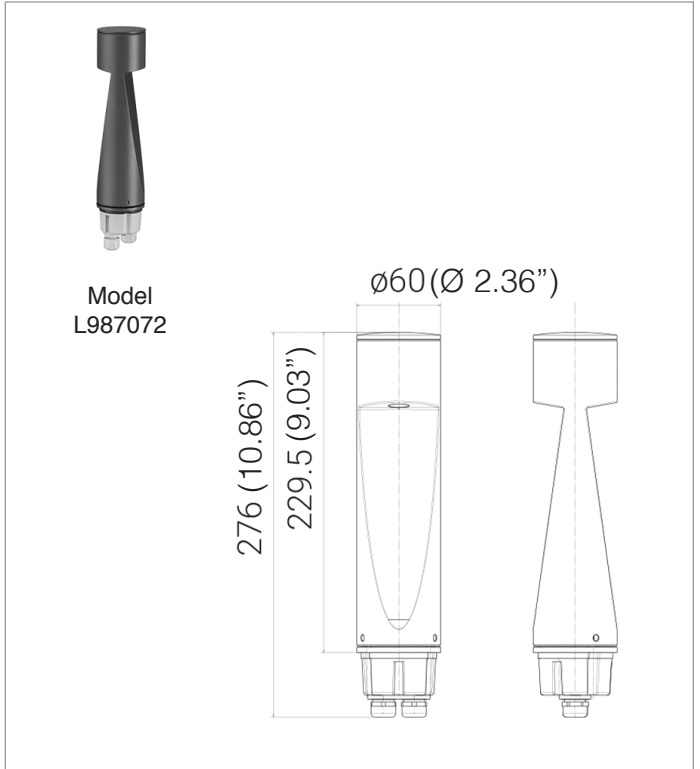
BOLLARD

TYPE:

PROJECT NAME:



Outdoor lighting fixture for pole mounting. Pole-top in low-copper grade primary aluminum alloy, equipped with two M16 cable glands to allow through wiring.



Model  
L987072

**Power input:** 8W

**Light emission direction:** Direct

**Pole Options:**

Steel Pole with anchoring plate:

#3401: 375mm (14.76")

#3402: 800mm (31.49")

Steel Pole with ground fixing base:

#3421: 375mm (14.76")

#3422: 800mm (31.49")

#3423: 1875mm (73.81")

**Materials:** Aluminum structure

**Electrical:** High efficiency electronic power supply, rated 50,000 hours 120V-277V

**Dimming:** Power supply compatible with 0-10V or LTE dimming

**Structure finish:** Anthracite, Aluminum Grey



**Light source:** LED

3000K: 80CRI

4000K: 80CRI

**Source lumens:** 860 lm

**Lumen Output:** 230 lm

SPECIFICATION SHEET

**ORDERING INFO**

Model (Order Code)	Structure Finish	Pole Mounting Option*	LED	Driver Options
<input type="radio"/> L987071 8W	<input type="radio"/> A: Anthracite <input type="radio"/> AG: Aluminum Grey	<input type="radio"/> Pole#3401 + Anchoring Plate#5518 <input type="radio"/> Pole#3402 + Anchoring Plate#5518 <input type="radio"/> Pole#3421 with ground fixing base <input type="radio"/> Pole#3422 with ground fixing base <input type="radio"/> Pole#3423 with ground fixing base	<input type="radio"/> 3000K <input type="radio"/> 4000K	<input type="radio"/> 120V Phase Dimming <input type="radio"/> 120V 0-10V Dimming <input type="radio"/> 277V 0-10V Dimming



\*See pole mounting options on page 5-8.

# IANUS™ 60

ACCESSORIES - POLE 375/800

TYPE:

PROJECT NAME:

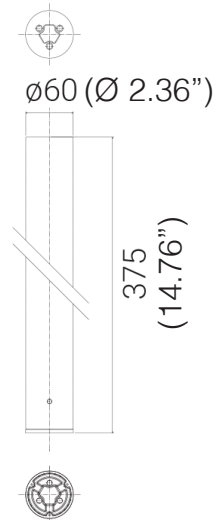
## Pole 375

CODE NO. **3401**

**AN** AN = Anthracite

**AG** AG = Aluminum Grey

Ø 60 mm  
(Ø 2.36")  
H 375 mm  
(14.76")



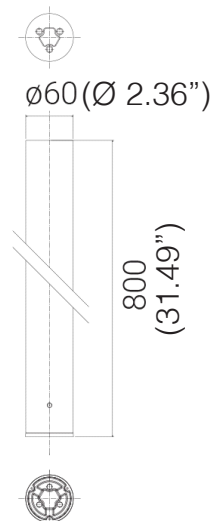
## Pole 800

CODE NO. **3402**

**AN** AN = Anthracite

**AG** AG = Aluminum Grey

Ø 60 mm  
(Ø 2.36")  
H 800 mm  
(31.49")



SPECIFICATION SHEET

# IANUS™ 60

ACCESSORIES - PLATE WITH ANCHORING

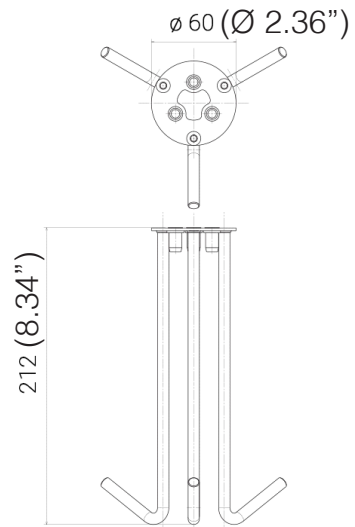
TYPE:

PROJECT NAME:

Plate with anchoring set

CODE NO. 5518

Ø 60 mm  
(Ø 2.36")  
H 212 mm  
(14.76")



Stainless steel plate with ground anchoring set

To be installed with codes 3401-3402

Suitable for max Ø 20mm (0.78") corrugated conduit

# IANUS™ 60

ACCESSORIES - POLE 375/800 WITH BASE

TYPE:

PROJECT NAME:

Pole H 375 with base

CODE NO. 3421

**AN** AN = Anthracite

ø 60 mm  
(Ø 2.36")  
Ø 105 mm  
(Ø 4.13")  
H 375 mm  
(14.76")

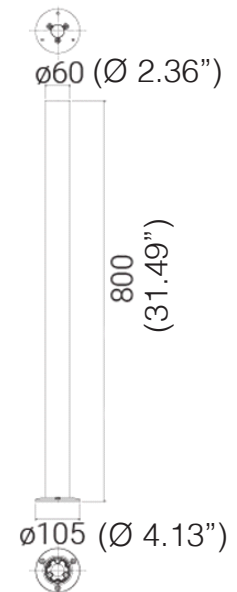


Pole H 800 with base

CODE NO. 3422

**AN** AN = Anthracite

ø 60 mm  
(Ø 2.36")  
Ø 105 mm  
(Ø 4.13")  
H 800 mm  
(31.49")



SPECIFICATION SHEET

# IANUS™ 60

ACCESSORIES - POLE 1875 WITH BASE

**TYPE:**

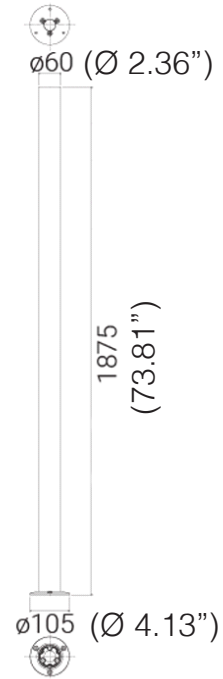
**PROJECT NAME:**

Pole H 1875 with base

CODE NO. **3423**

**AN** AN = Anthracite

ø 60 mm  
(Ø 2.36")  
ø 105 mm  
(Ø 4.13")  
H 1875 mm  
(73.81")



Smooth pole in extruded aluminum

External ground fixing base in forged aluminum

Finish: pre-phospho chrome + UV resistant polyester powder coating

SPECIFICATION SHEET