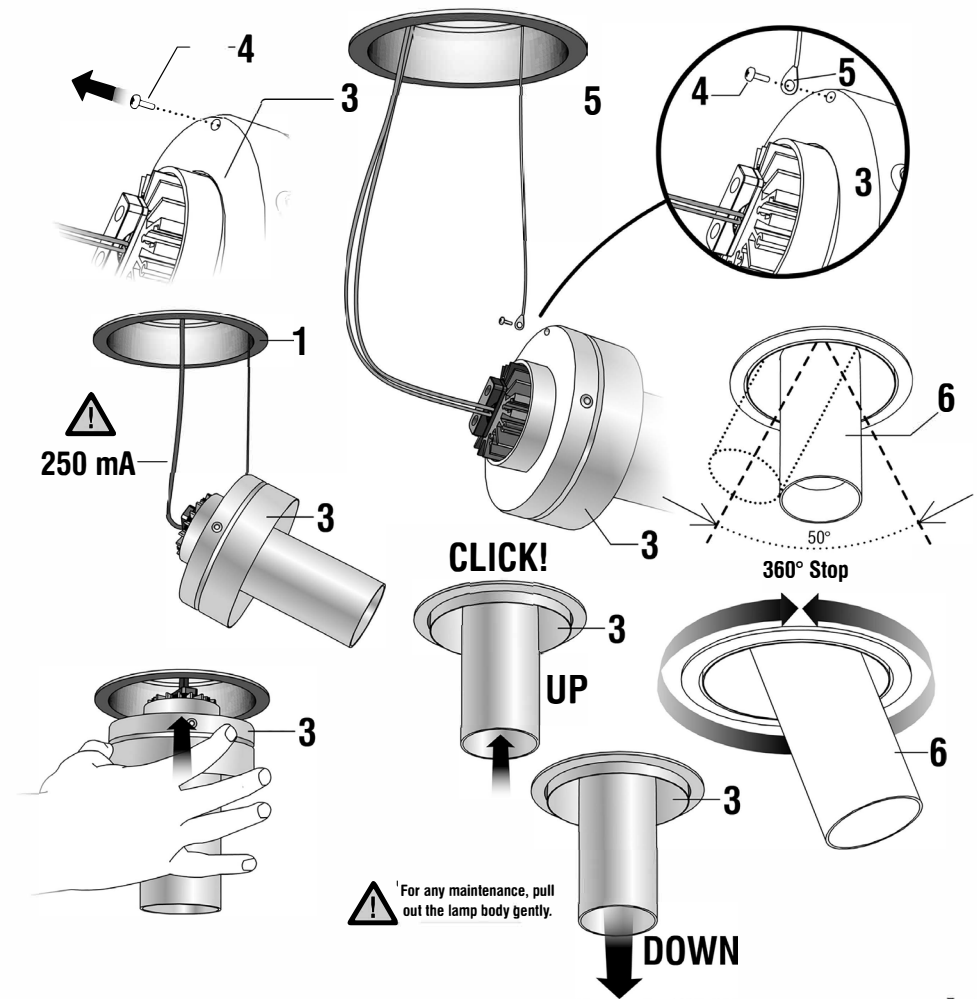
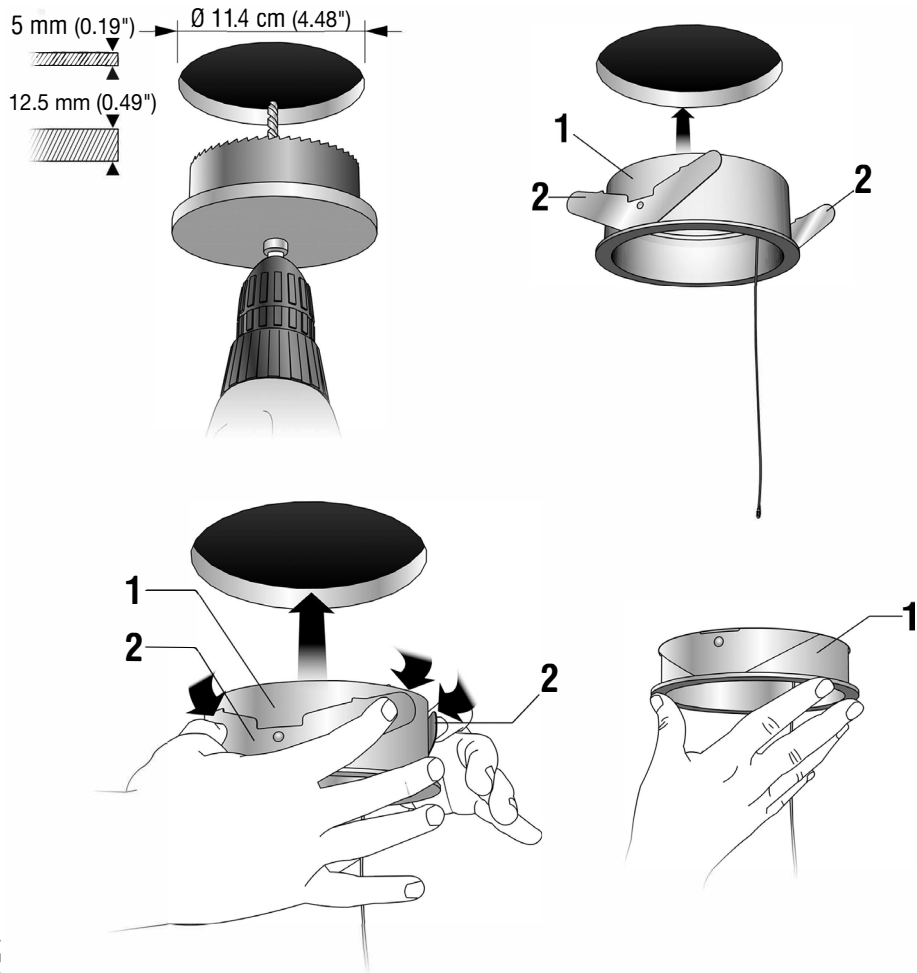


# POP™ Y3

RECESSED

TYPE:

PROJECT NAME:



INSTALLATION SHEET

- Drill the ceiling with a cutter corresponding to the diameter 11.4 cm [4.48"].
- Bend the springs 2 of the housing 1 to put it into the hole.
- Unscrew the screw 4 of the lamp body.
- Using the screw 4, fix the lamp body 3 to the safety anti-fall cable 5.

- Make the connection of the spot light to the remote gear.
- Put the body of the lamp 3 into element 1 with the **CLICK, UP**.
- Adjust element 6 as required.
- To replace the LED light bulb, gently remove the body of the lamp 3, **DOWN**.