

# DOMINO™

LINEAR FACADE LIGHTING

TYPE:

PROJECT NAME:



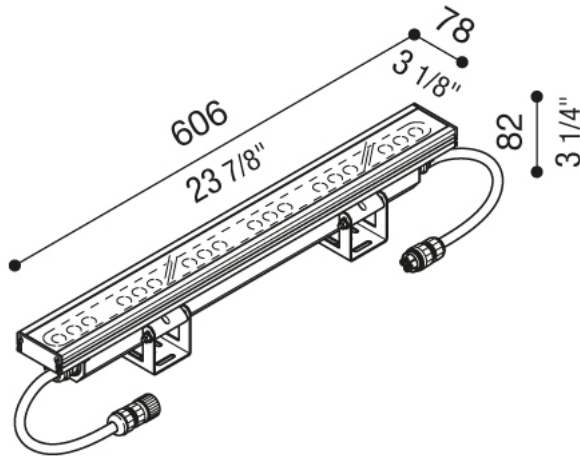
SPECIFICATION SHEET

# DOMINO™ 600

LINEAR FACADE LIGHTING

TYPE:

PROJECT NAME:



## Technical information:

Installation:	Ground
Material:	Aluminum
Treatment:	Anodization
Diffuser type:	Transparent glass
CRI:	>80
LB Factor:	L80B10 - 50.000h
Power consumption [Watt]	34
Source Lumen:	4125 lm
Delivered Lumen:	3130 lm
Type of protection:	IP66

SPECIFICATION SHEET

## ORDERING INFO

Model (Order Code)	Structure Finish	Optic Options	LED	Dimming Options
<input type="radio"/> L53 DOMINO600	<input type="radio"/> <input checked="" type="checkbox"/> BL: Black	<input type="radio"/> 30: 30° <input type="radio"/> 50: 50° <input type="radio"/> 35: 12 x 35° <input type="radio"/> W: Wall Washer	<input type="radio"/> 2700K <input type="radio"/> 3000K <input type="radio"/> 4000K	<input type="radio"/> 120V LTE <input type="radio"/> 120V 0-10V <input type="radio"/> 277V 0-10V



**Luminart®**

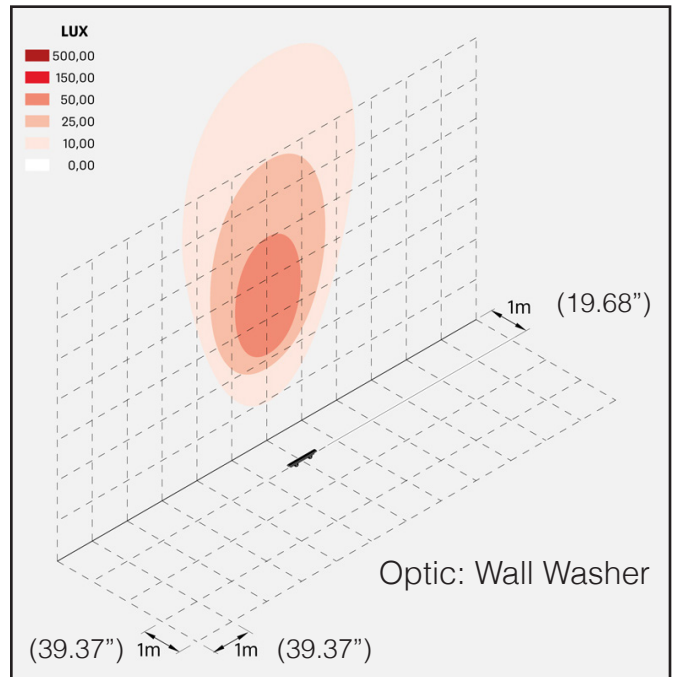
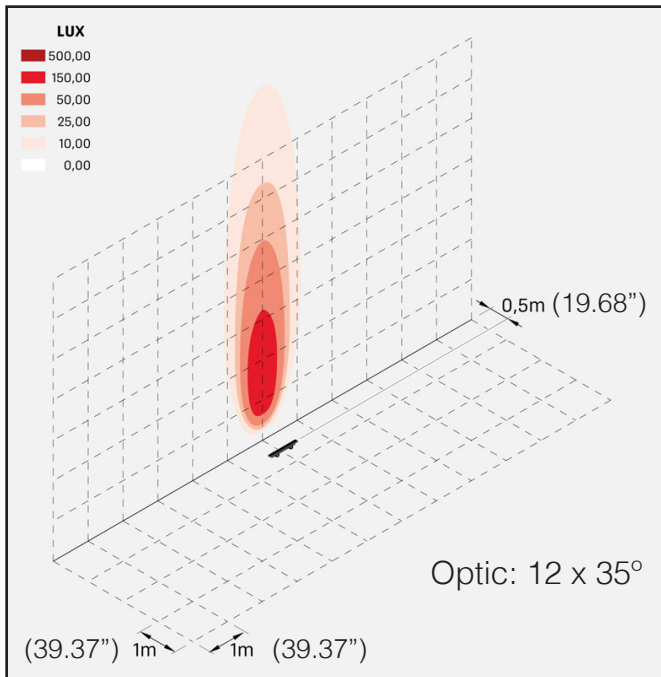
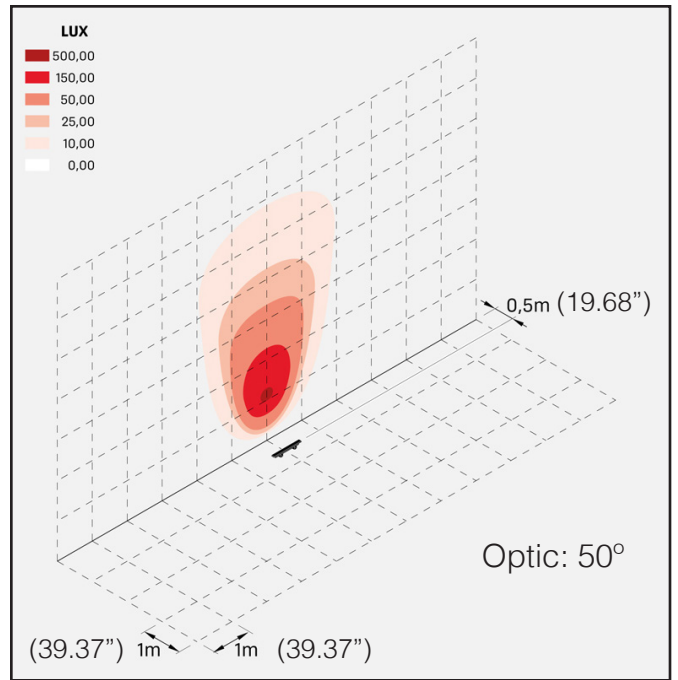
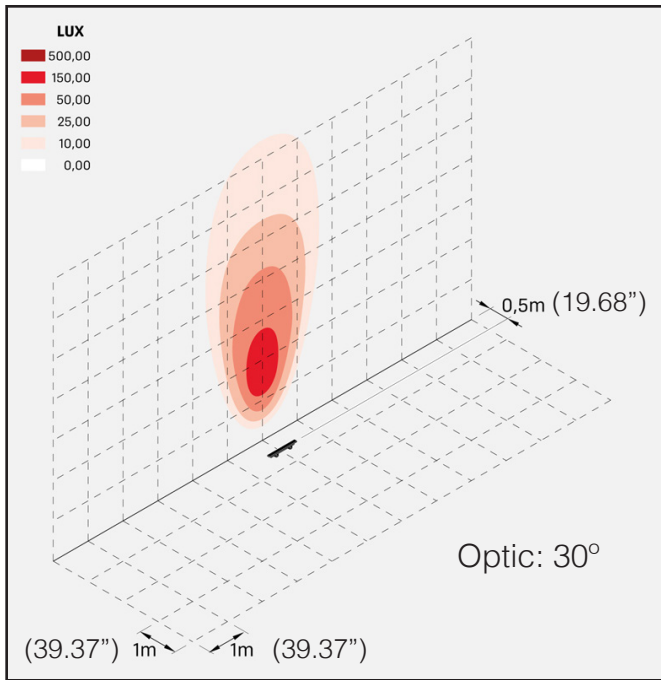
WWW.LUMINARTLIGHTING.COM

# DOMINO™ 600

LINEAR FACADE LIGHTING

TYPE:

PROJECT NAME:



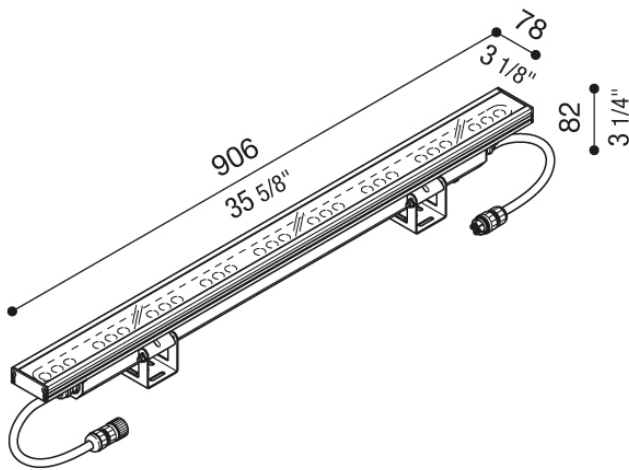
SPECIFICATION SHEET

# DOMINO™ 900

LINEAR FACADE LIGHTING

TYPE:

PROJECT NAME:



## Technical information:

Installation:	Ground
Material:	Aluminum
Treatment:	Anodization
Diffuser type:	Transparent glass
CRI:	>80
LB Factor:	L80B10 - 50.000h
Power consumption [Watt]	50
Source Lumen:	6090 lm
Delivered Lumen:	4620 lm
Type of protection:	IP66

SPECIFICATION SHEET

## ORDERING INFO

Model (Order Code)	Structure Finish	Optic Options	LED	Dimming Options
<input type="radio"/> L53 DOMINO900	<input type="radio"/> <input checked="" type="checkbox"/> BL: Black	<input type="radio"/> 30: 30° <input type="radio"/> 50: 50° <input type="radio"/> 35: 12 x 35° <input type="radio"/> W: Wall Washer	<input type="radio"/> 2700K <input type="radio"/> 3000K <input type="radio"/> 4000K	<input type="radio"/> 120V LTE <input type="radio"/> 120V 0-10V <input type="radio"/> 277V 0-10V



**Luminart®**

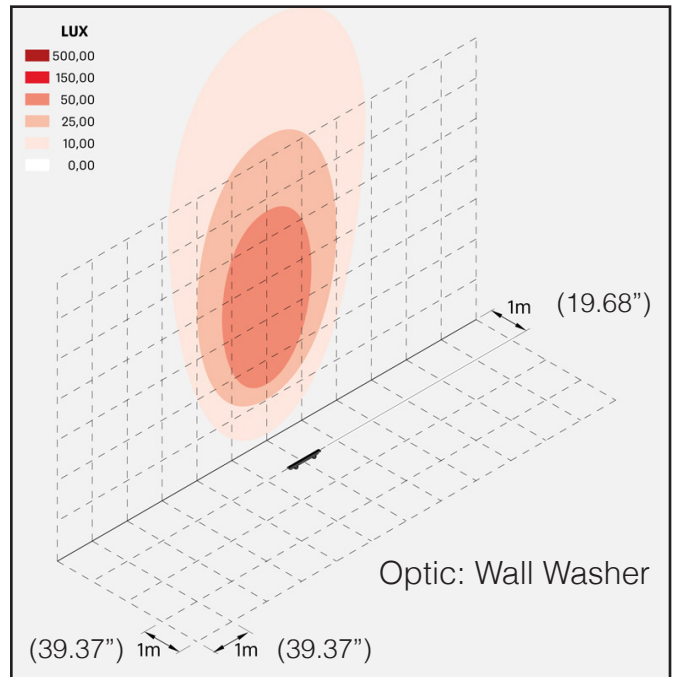
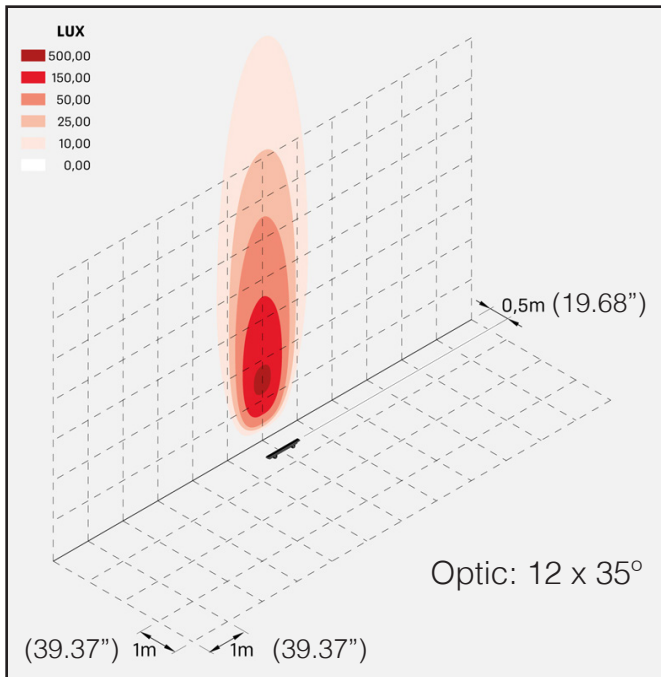
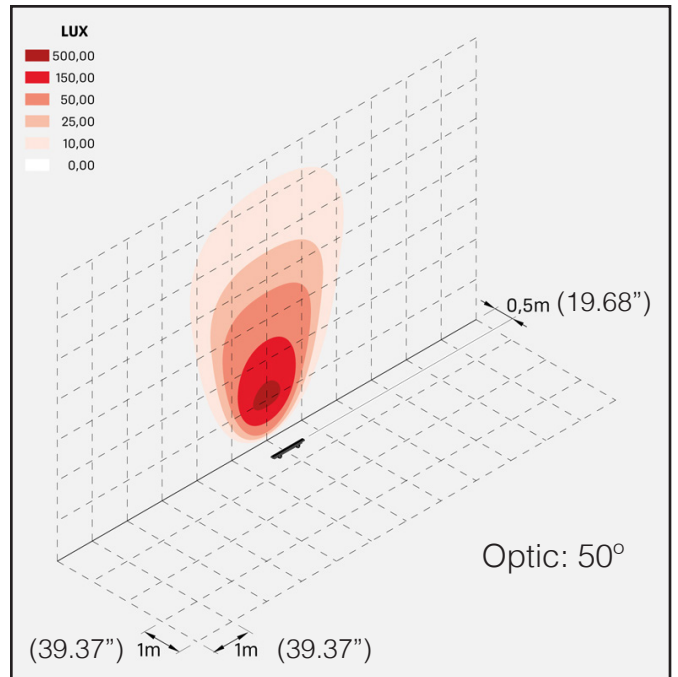
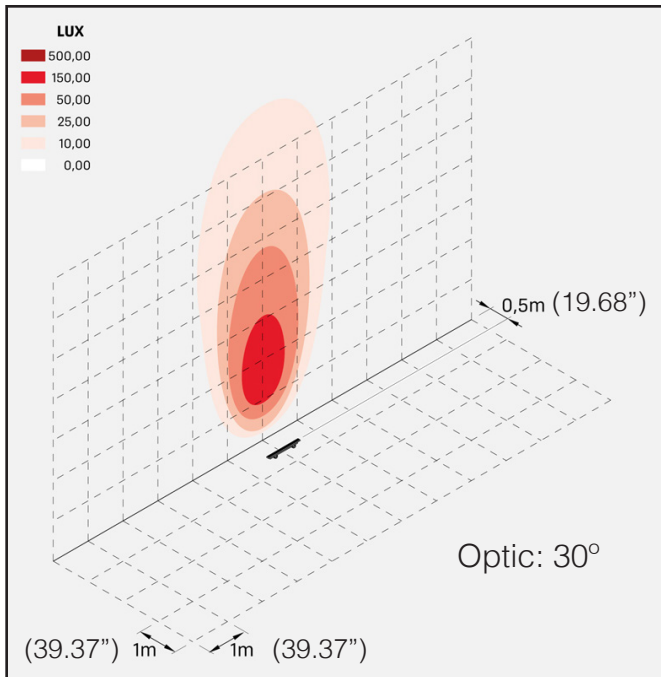
WWW.LUMINARTLIGHTING.COM

# DOMINO™ 900

LINEAR FACADE LIGHTING

TYPE:

PROJECT NAME:



SPECIFICATION SHEET

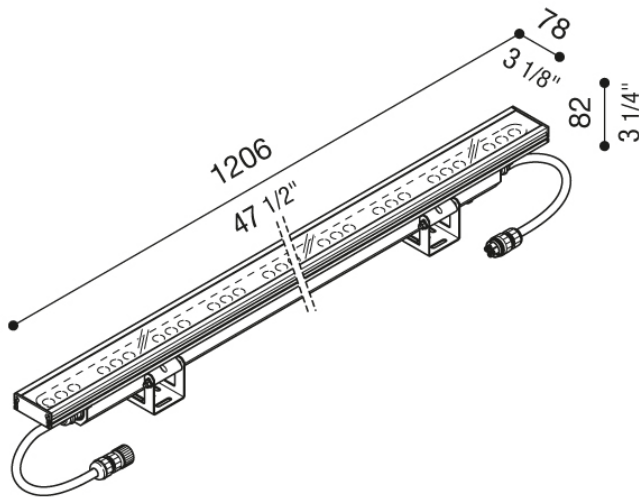


# DOMINO™ 1200

LINEAR FACADE LIGHTING

TYPE:

PROJECT NAME:



## Technical information:

Installation:	Ground
Material:	Aluminum
Treatment:	Anodization
Diffuser type:	Transparent glass
CRI:	>80
LB Factor:	L80B10 - 50.000h
Power consumption [Watt]	66
Source Lumen:	8120 lm
Delivered Lumen:	6160 lm
Type of protection:	IP66

SPECIFICATION SHEET

## ORDERING INFO

Model (Order Code)	Structure Finish	Optic Options	LED	Dimming Options
<input type="radio"/> L53 DOMINO1200	<input type="radio"/> <input checked="" type="checkbox"/> BL: Black	<input type="radio"/> 30: 30° <input type="radio"/> 50: 50° <input type="radio"/> 35: 12 x 35° <input type="radio"/> W: Wall Washer	<input type="radio"/> 2700K <input type="radio"/> 3000K <input type="radio"/> 4000K	<input type="radio"/> 120V LTE <input type="radio"/> 120V 0-10V <input type="radio"/> 277V 0-10V



**Luminart®**

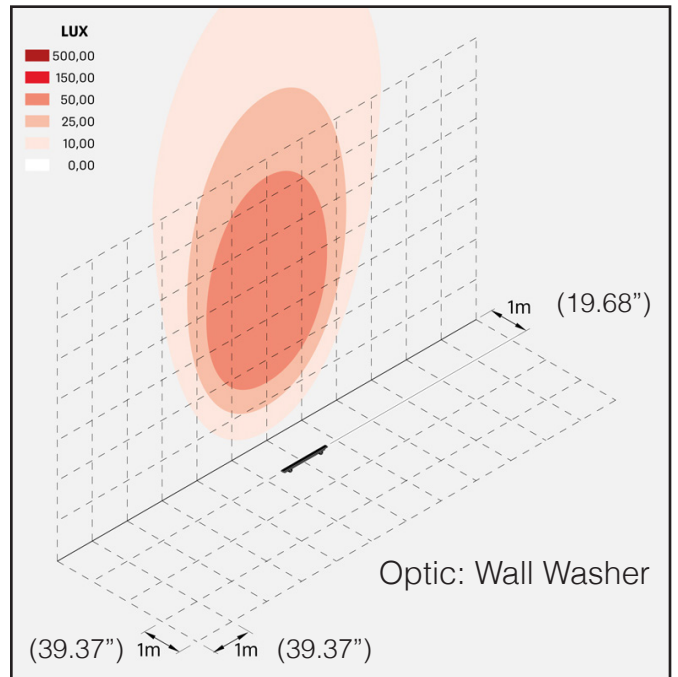
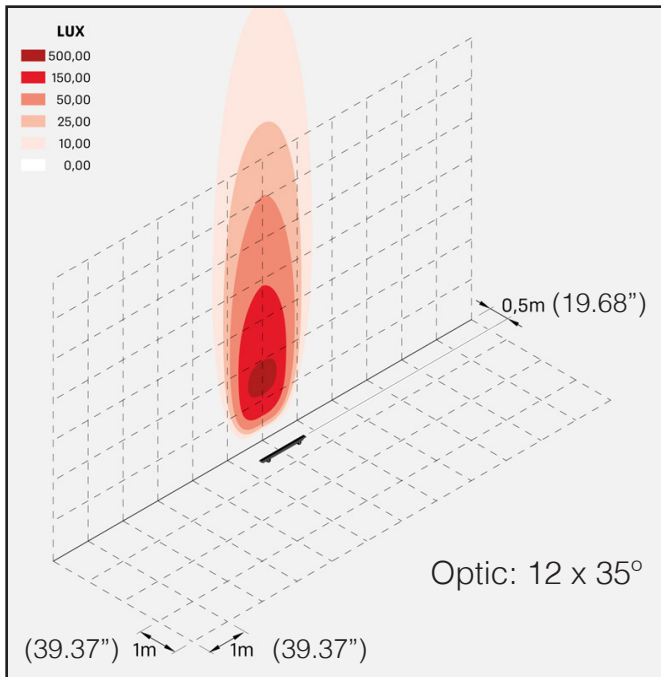
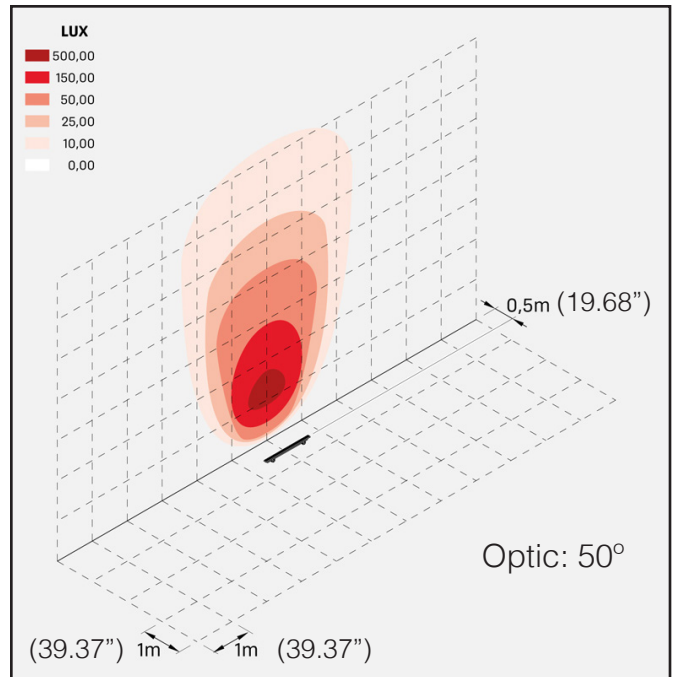
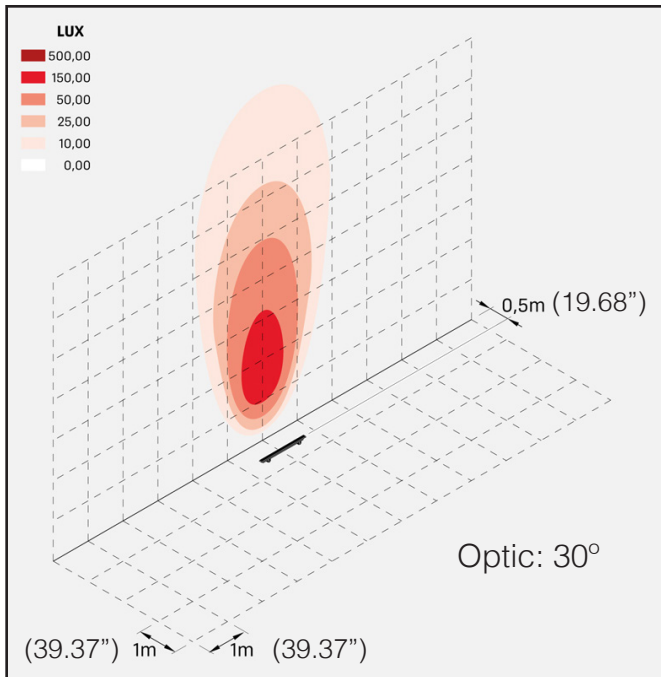
WWW.LUMINARTLIGHTING.COM

# DOMINO™ 1200

LINEAR FACADE LIGHTING

TYPE:

PROJECT NAME:



SPECIFICATION SHEET