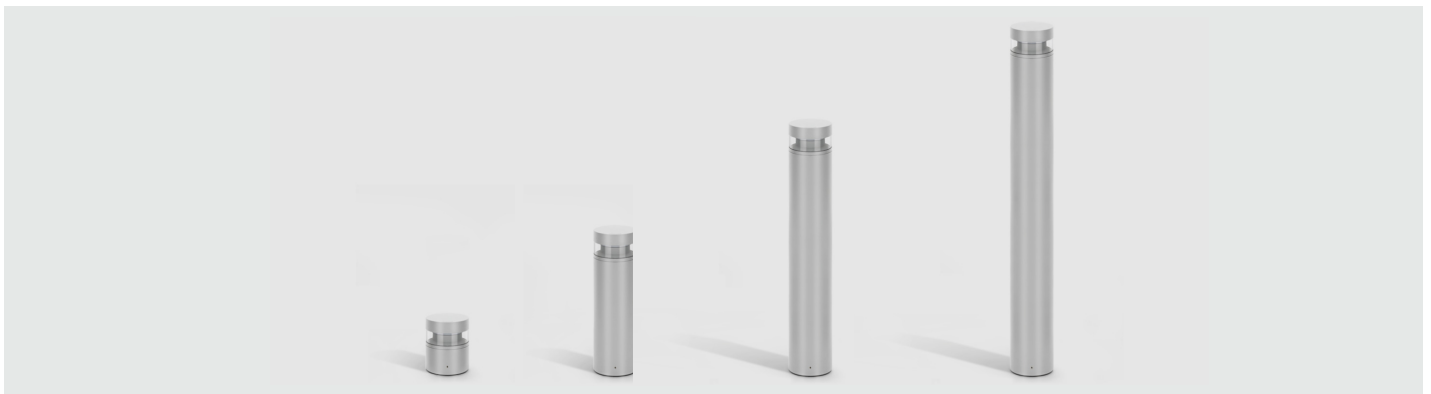


TKO™ ROUND

BOLLARD

TYPE:

PROJECT NAME:



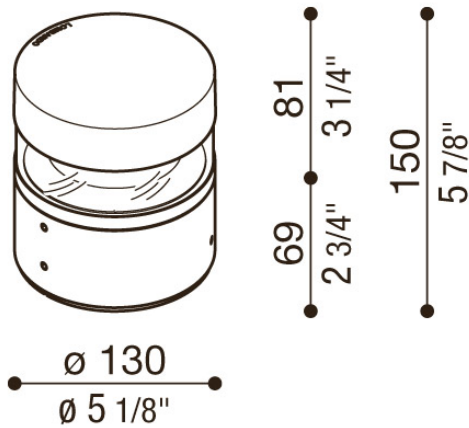
SPECIFICATION SHEET

TKO™ ROUND

BOLLARD - H150

TYPE:

PROJECT NAME:



Technical information:

Installation:	Ground
Material:	Aluminum
Treatment:	Sea Treatment
Diffuser type:	PMMA
CRI:	>80
LB Factor:	L80B20 - 50.000h
Power consumption [Watt]	14
Source Lumen:	1860 lm
Delivered Lumen:	650 lm
Type of protection:	IP66

SPECIFICATION SHEET

ORDERING INFO

Model (Order Code)	Structure Finish	Optic Options*	LED	Dimming Options
<input type="radio"/> L53TKOROUNDH150	<input type="radio"/> AN: Anthracite RAL7021 <input type="radio"/> GR: Grey RAL9006 <input type="radio"/> WH: White RAL9010 <input type="radio"/> CO: Corten	<input type="radio"/> 360° <input type="radio"/> 270° <input type="radio"/> 180°	<input type="radio"/> 2200K <input type="radio"/> 2700K <input type="radio"/> 3000K <input type="radio"/> 4000K	<input type="radio"/> 120V LTE <input type="radio"/> 120V 0-10V <input type="radio"/> 277V 0-10V



*See details on the next page.

Luminart®

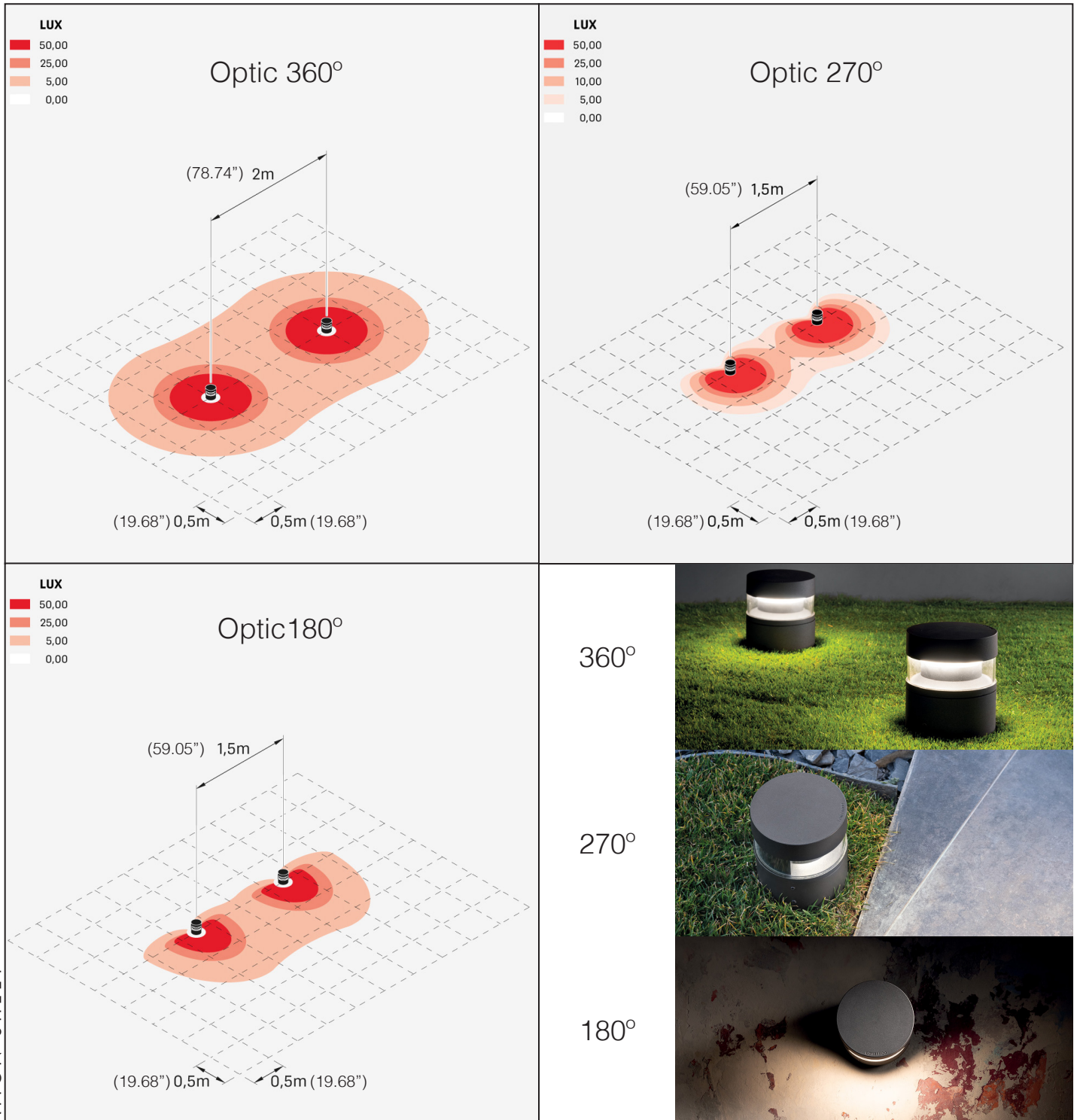
WWW.LUMINARTLIGHTING.COM
Last updated: 04/22/24

TKO™ ROUND

BOLLARD - H150

TYPE:

PROJECT NAME:



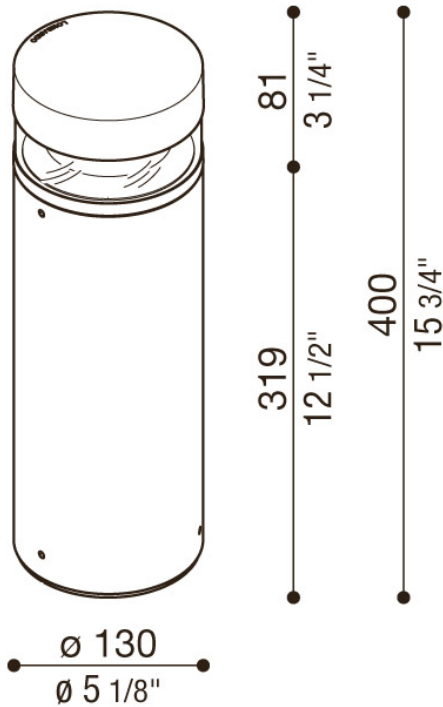
SPECIFICATION SHEET

TKO™ ROUND

BOLLARD - H400

TYPE:

PROJECT NAME:



Technical information:

Installation:	Ground
Material:	Aluminum
Treatment:	Sea Treatment
Diffuser type:	PMMA
CRI:	>80
LB Factor:	L80B20 - 50.000h
Power consumption [Watt]	14
Source Lumen:	1860 lm
Delivered Lumen:	650 lm
Type of protection:	IP66

SPECIFICATION SHEET

ORDERING INFO

Model (Order Code)	Structure Finish	Optic Options*	LED	Dimming Options
<input type="radio"/> L53TKOROUNDH400	<input type="radio"/> AN: Anthracite RAL7021 <input type="radio"/> GR: Grey RAL9006 <input type="radio"/> WH: White RAL9010 <input type="radio"/> CO: Corten	<input type="radio"/> 360° <input type="radio"/> 270° <input type="radio"/> 180°	<input type="radio"/> 2200K <input type="radio"/> 2700K <input type="radio"/> 3000K <input type="radio"/> 4000K	<input type="radio"/> 120V LTE <input type="radio"/> 120V 0-10V <input type="radio"/> 277V 0-10V



*See details on the next page.

Luminart®

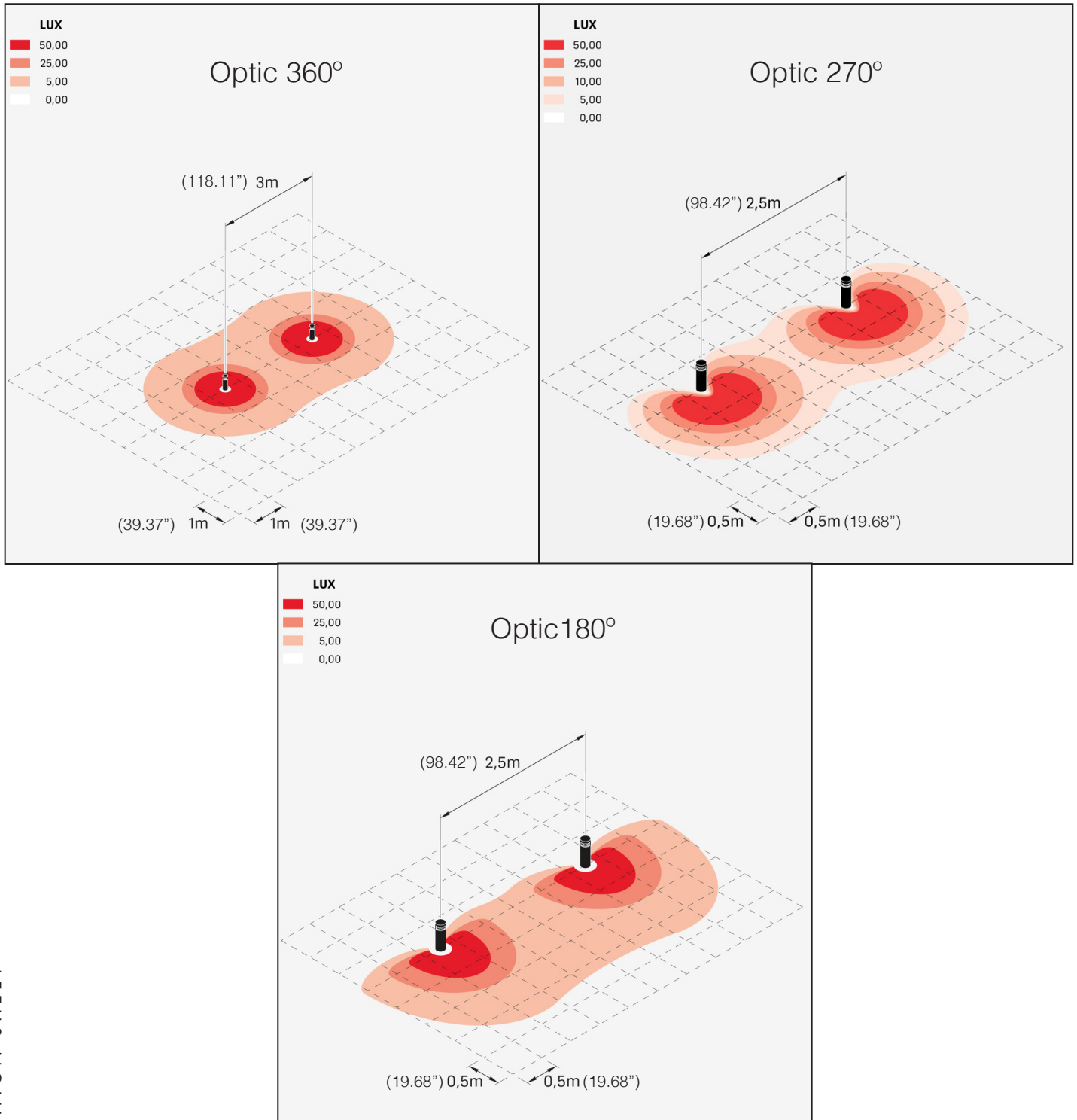
WWW.LUMINARTLIGHTING.COM
Last updated: 04/22/24

TKO™ ROUND

BOLLARD - H400

TYPE:

PROJECT NAME:



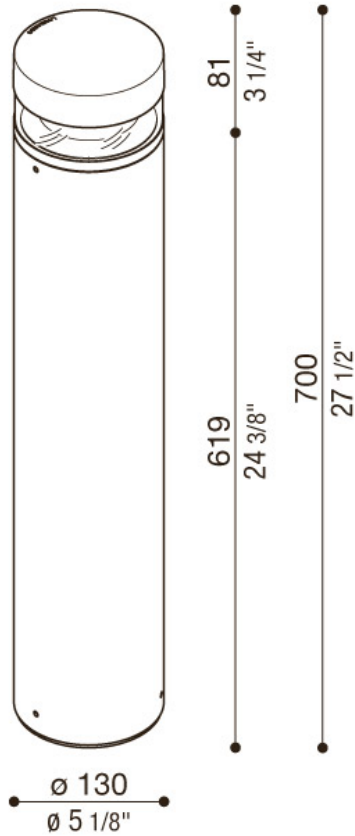
SPECIFICATION SHEET

TKO™ ROUND

BOLLARD - H700

TYPE:

PROJECT NAME:



Technical information:

Installation:	Ground
Material:	Aluminum
Treatment:	Sea Treatment
Diffuser type:	PMMA
CRI:	>80
LB Factor:	L80B20 - 50.000h
Power consumption [Watt]	14
Source Lumen:	1860 lm
Delivered Lumen:	650 lm
Type of protection:	IP66

SPECIFICATION SHEET

ORDERING INFO

Model (Order Code)	Structure Finish	Optic Options*	LED	Dimming Options
<input type="radio"/> L53TKOROUNDH700	<input type="radio"/> AN: Anthracite RAL7021 <input type="radio"/> GR: Grey RAL9006 <input type="radio"/> WH: White RAL9010 <input type="radio"/> CO: Corten	<input type="radio"/> 360° <input type="radio"/> 270° <input type="radio"/> 180°	<input type="radio"/> 2200K <input type="radio"/> 2700K <input type="radio"/> 3000K <input type="radio"/> 4000K	<input type="radio"/> 120V LTE <input type="radio"/> 120V 0-10V <input type="radio"/> 277V 0-10V



*See details on the next page.

Luminart®

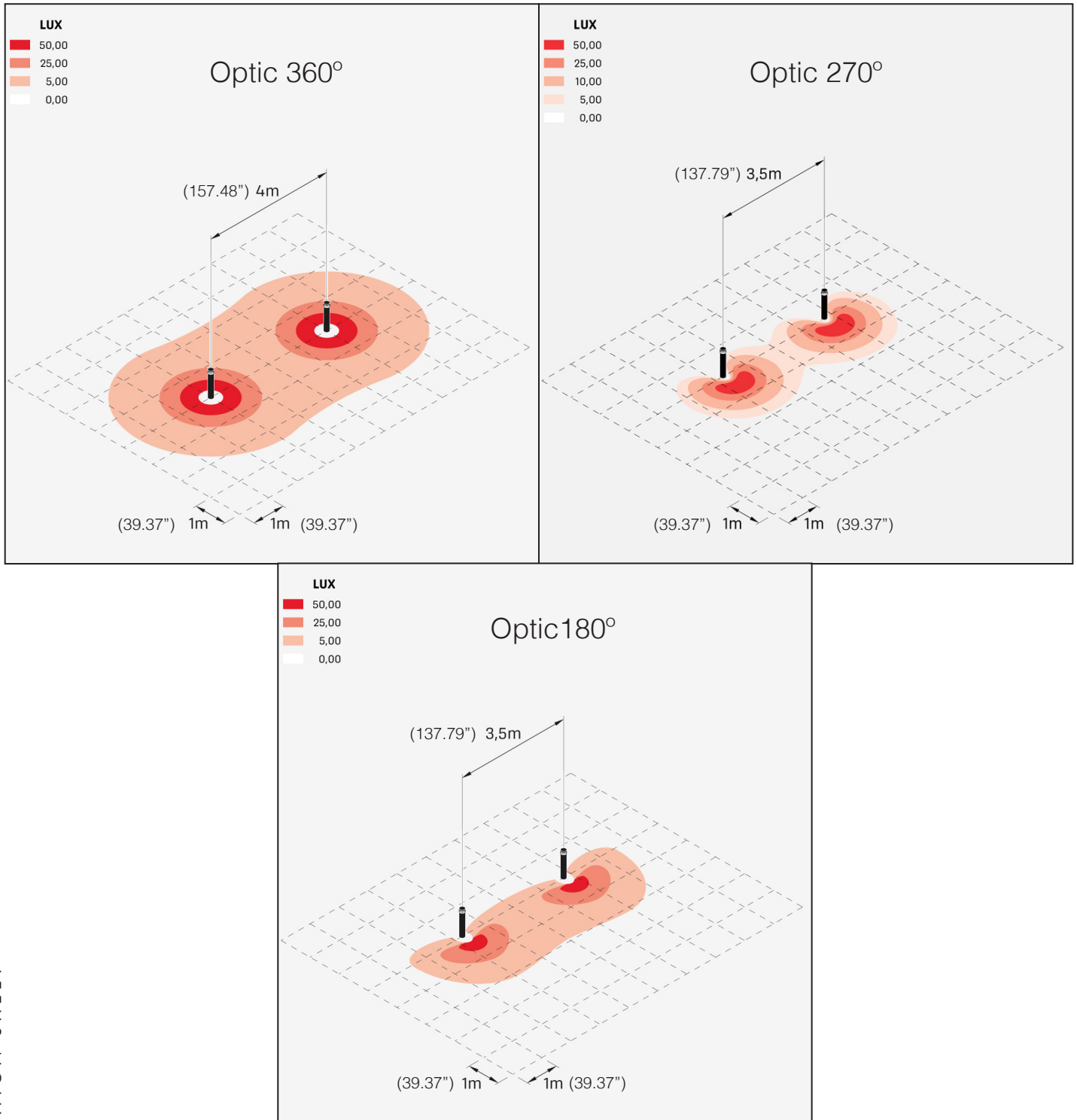
WWW.LUMINARTLIGHTING.COM
Last updated: 04/22/24

TKO™ ROUND

BOLLARD - H700

TYPE:

PROJECT NAME:



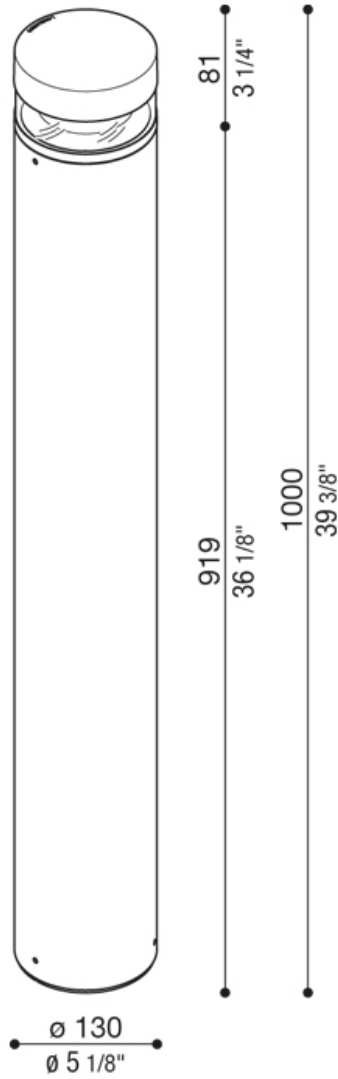
SPECIFICATION SHEET

TKO™ ROUND

BOLLARD - H1000

TYPE:

PROJECT NAME:



Technical information:

Installation:	Ground
Material:	Aluminum
Treatment:	Sea Treatment
Diffuser type:	PMMA
CRI:	>80
LB Factor:	L80B20 - 50.000h
Power consumption [Watt]	14
Source Lumen:	1860 lm
Delivered Lumen:	650 lm
Type of protection:	IP66

SPECIFICATION SHEET

ORDERING INFO

Model (Order Code)	Structure Finish	Optic Options*	LED	Dimming Options
<input type="radio"/> L53TKOROUNDH1000	<input type="radio"/> AN: Anthracite RAL7021 <input type="radio"/> GR: Grey RAL9006 <input type="radio"/> WH: White RAL9010 <input type="radio"/> CO: Corten	<input type="radio"/> 360° <input type="radio"/> 270° <input type="radio"/> 180°	<input type="radio"/> 2200K <input type="radio"/> 2700K <input type="radio"/> 3000K <input type="radio"/> 4000K	<input type="radio"/> 120V LTE <input type="radio"/> 120V 0-10V <input type="radio"/> 277V 0-10V



*See details on the next page.

Luminart®

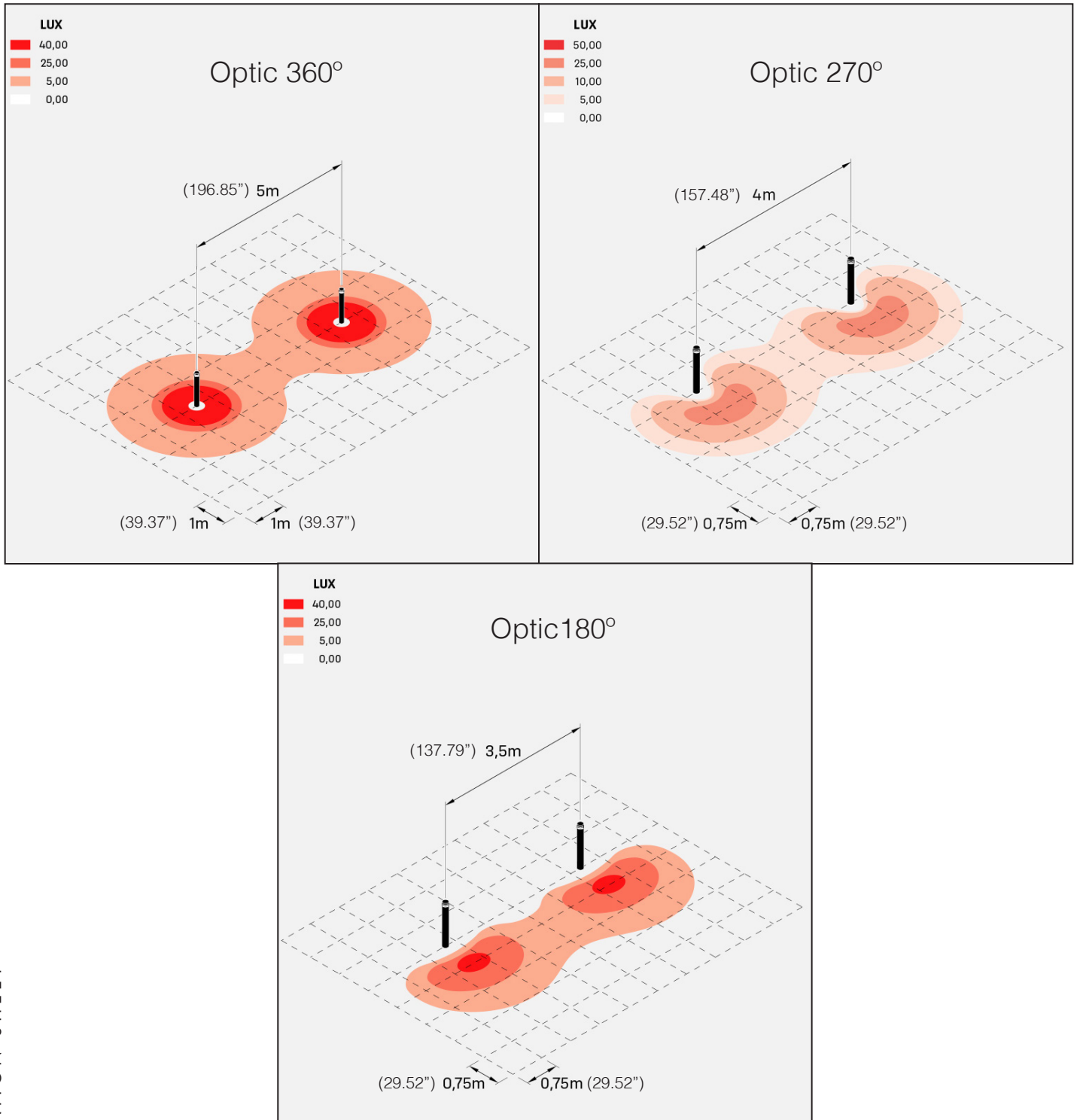
WWW.LUMINARTLIGHTING.COM
Last updated: 04/22/24

TKO™ ROUND

BOLLARD - H1000

TYPE:

PROJECT NAME:



SPECIFICATION SHEET