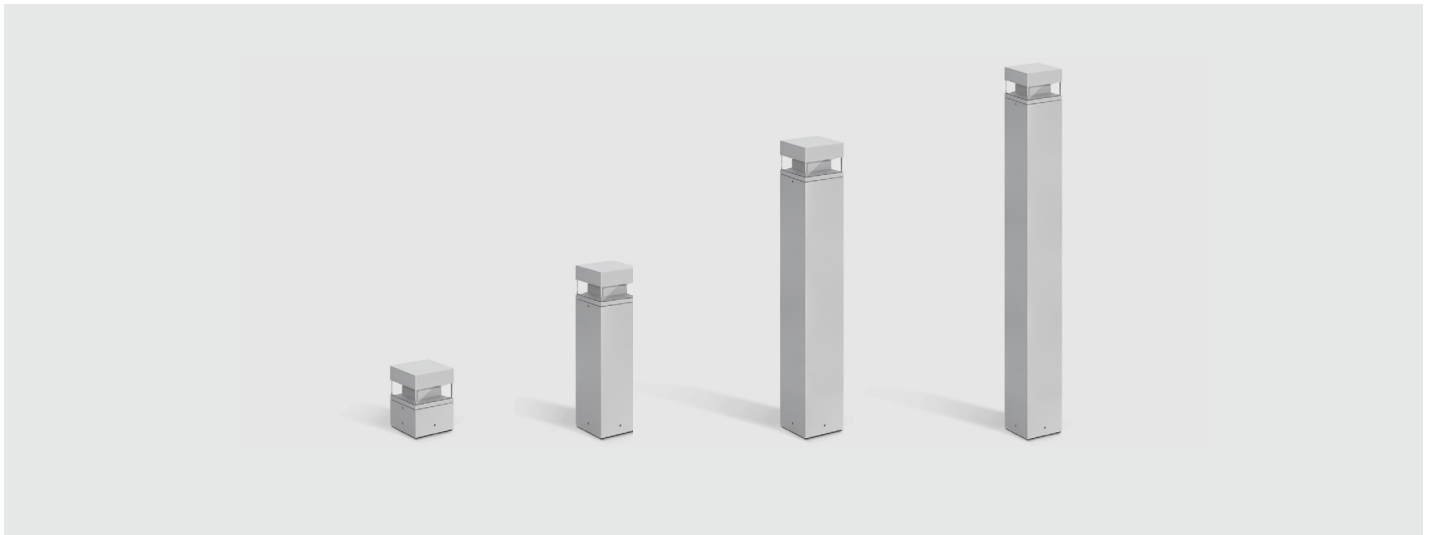


# TKO™ SQUARE

BOLLARD

TYPE:

PROJECT NAME:



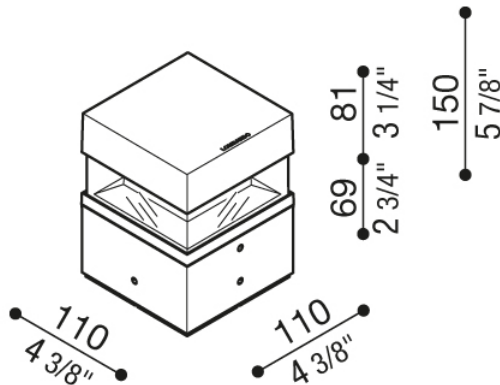
SPECIFICATION SHEET

# TKO™ SQUARE

BOLLARD - H150

TYPE:

PROJECT NAME:



## Technical information:

Installation:	Ground
Material:	Aluminum
Treatment:	Sea Treatment
Diffuser type:	PMMA
CRI:	>80
LB Factor:	L80B20 - 50.000h
Power consumption [Watt]	14
Source Lumen:	1920 lm
Delivered Lumen:	630 lm
Type of protection:	IP66

SPECIFICATION SHEET

## ORDERING INFO

Model (Order Code)	Structure Finish	Optic Options*	LED	Dimming Options
<input type="radio"/> L53TKO SQUARE H150	<input type="radio"/> AN: Anthracite RAL7021 <input type="radio"/> GR: Grey RAL9006 <input type="radio"/> WH: White RAL9010 <input type="radio"/> CO: Corten	<input type="radio"/> Four Side Optic <input type="radio"/> Two Side Optic <input type="radio"/> One Side Optic	<input type="radio"/> 2200K <input type="radio"/> 2700K <input type="radio"/> 3000K <input type="radio"/> 4000K	<input type="radio"/> 120V LTE <input type="radio"/> 120V 0-10V <input type="radio"/> 277V 0-10V



\*See details on the next page.

**Luminart®**

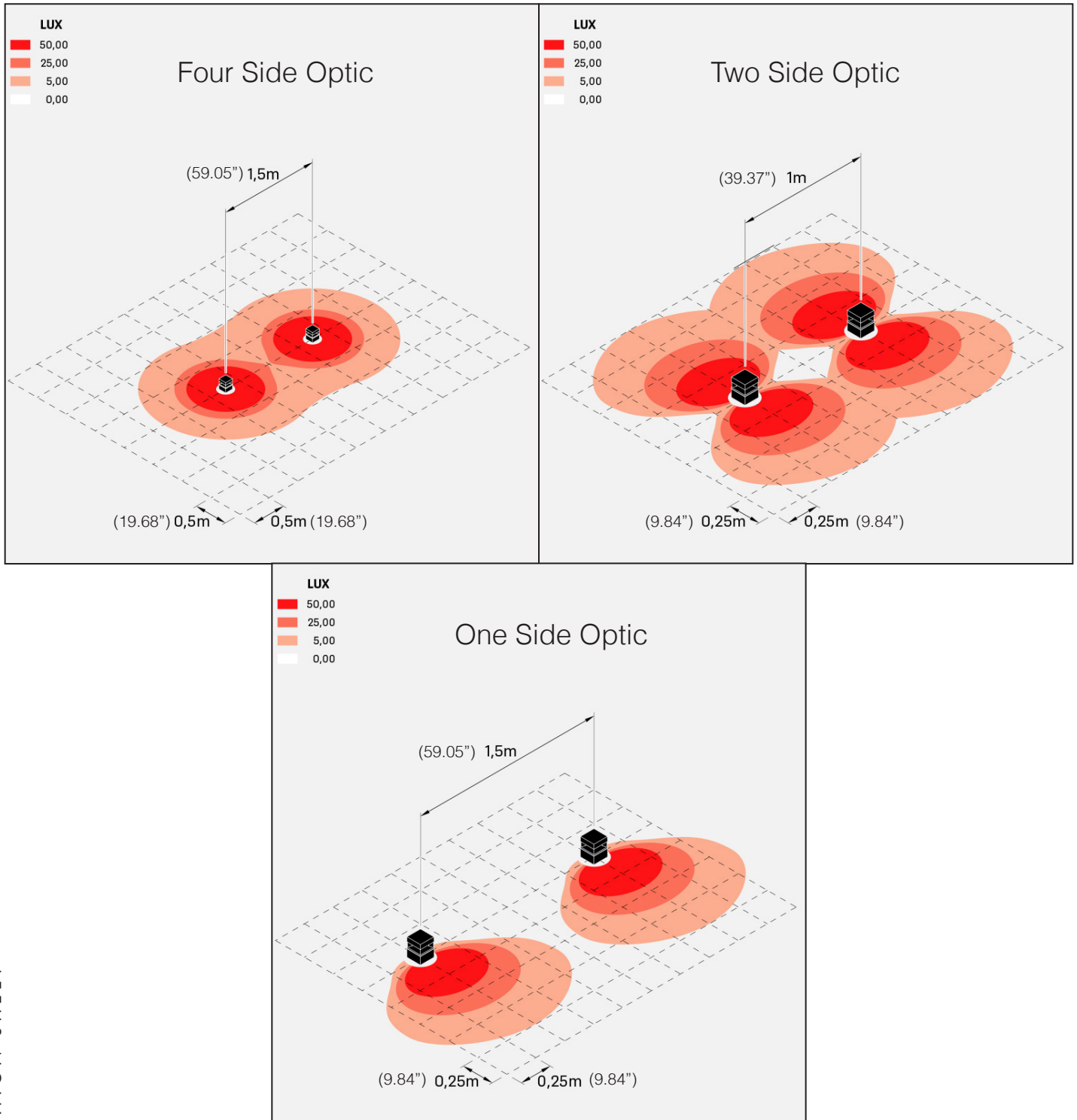
WWW.LUMINARTLIGHTING.COM  
Last updated: 04/22/24

# TKO™ SQUARE

BOLLARD - H150

TYPE:

PROJECT NAME:



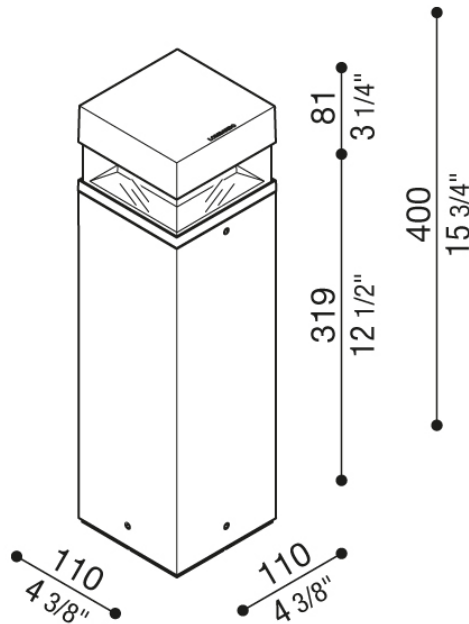
SPECIFICATION SHEET

# TKO™ SQUARE

BOLLARD - H400

TYPE:

PROJECT NAME:



## Technical information:

Installation:	Ground
Material:	Aluminum
Treatment:	Sea Treatment
Diffuser type:	PMMA
CRI:	>80
LB Factor:	L80B20 - 50.000h
Power consumption [Watt]	14
Source Lumen:	1920 lm
Delivered Lumen:	630 lm
Type of protection:	IP66

SPECIFICATION SHEET

## ORDERING INFO

Model (Order Code)	Structure Finish	Optic Options*	LED	Dimming Options
<input type="radio"/> L53TKO SQUARE H400	<input type="radio"/> AN: Anthracite RAL7021 <input type="radio"/> GR: Grey RAL9006 <input type="radio"/> WH: White RAL9010 <input type="radio"/> CO: Corten	<input type="radio"/> Four Side Optic <input type="radio"/> Two Side Optic <input type="radio"/> One Side Optic	<input type="radio"/> 2200K <input type="radio"/> 2700K <input type="radio"/> 3000K <input type="radio"/> 4000K	<input type="radio"/> 120V LTE <input type="radio"/> 120V 0-10V <input type="radio"/> 277V 0-10V



\*See details on the next page.

**Luminart®**

WWW.LUMINARTLIGHTING.COM  
Last updated: 04/22/24

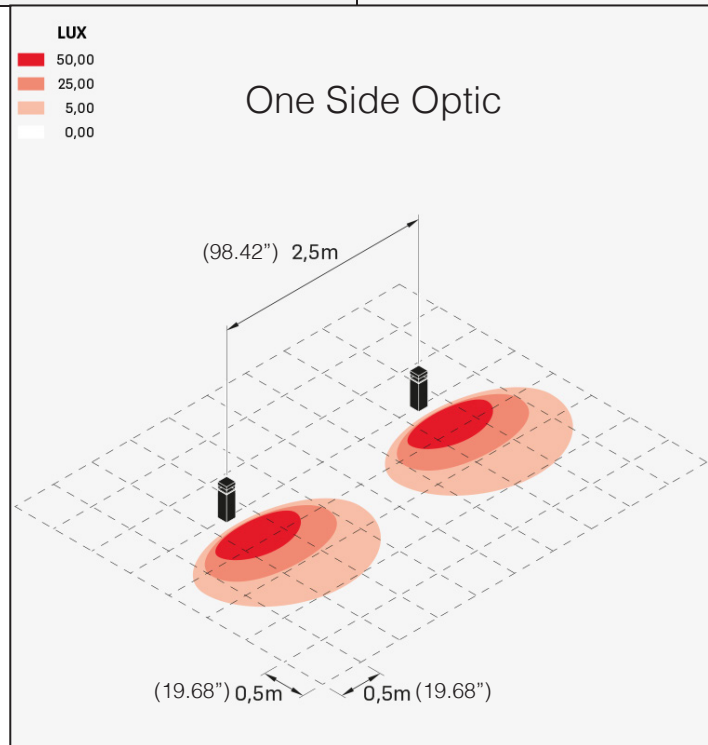
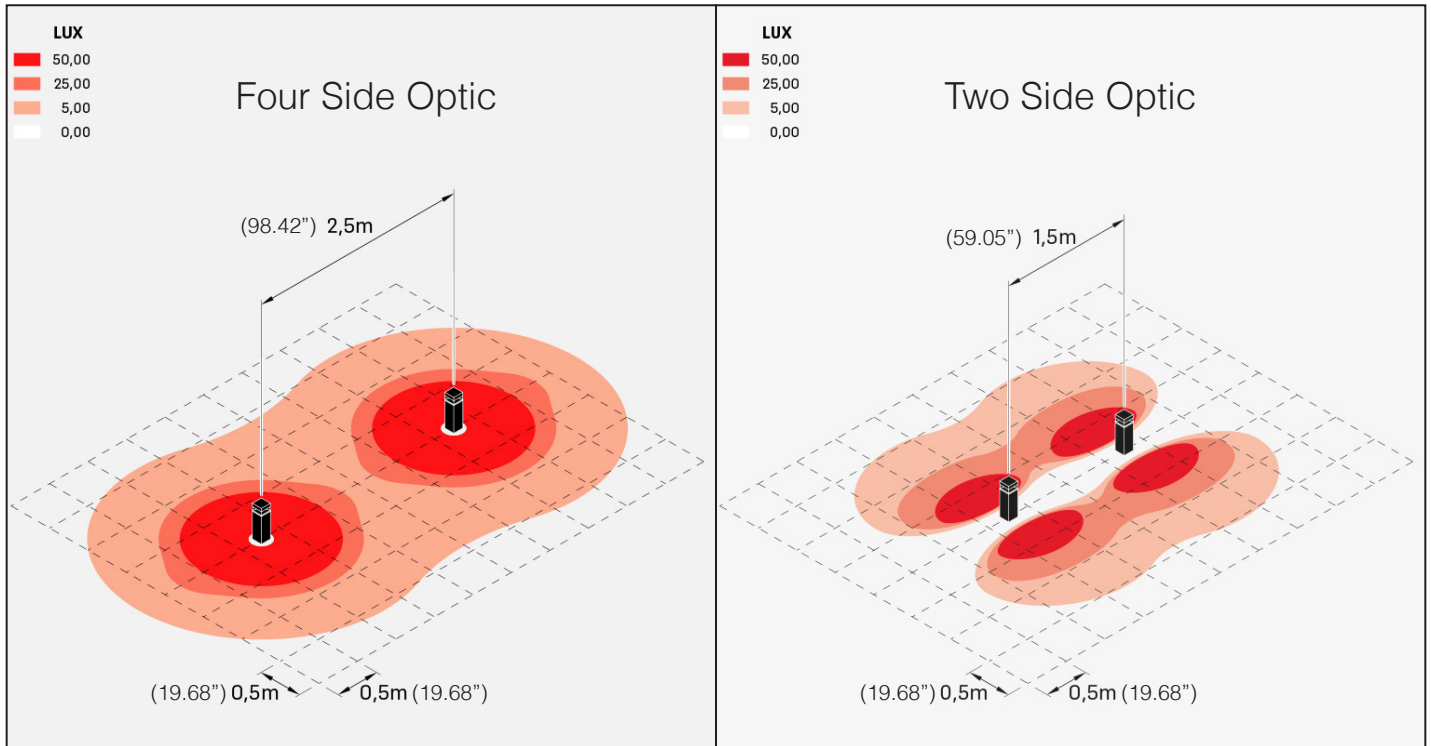


# TKO™ SQUARE

BOLLARD - H400

TYPE:

PROJECT NAME:



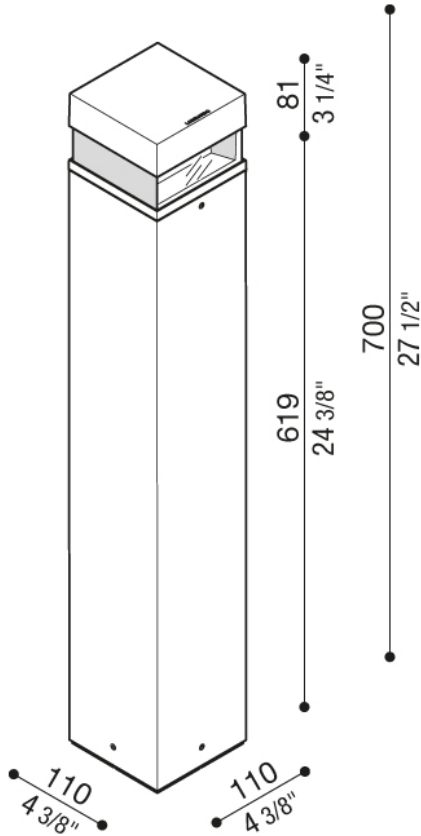
SPECIFICATION SHEET

# TKO™ SQUARE

BOLLARD - H700

TYPE:

PROJECT NAME:



### Technical information:

Installation:	Ground
Material:	Aluminum
Treatment:	Sea Treatment
Diffuser type:	PMMA
CRI:	>80
LB Factor:	L80B20 - 50.000h
Power consumption [Watt]	14
Source Lumen:	1920 lm
Delivered Lumen:	630 lm
Type of protection:	IP66

SPECIFICATION SHEET

### ORDERING INFO

Model (Order Code)	Structure Finish	Optic Options*	LED	Dimming Options
<input type="radio"/> L53TKO SQUARE H700	<input type="radio"/> AN: Anthracite RAL7021 <input type="radio"/> GR: Grey RAL9006 <input type="radio"/> WH: White RAL9010 <input type="radio"/> CO: Corten	<input type="radio"/> Four Side Optic <input type="radio"/> Two Side Optic <input type="radio"/> One Side Optic	<input type="radio"/> 2200K <input type="radio"/> 2700K <input type="radio"/> 3000K <input type="radio"/> 4000K	<input type="radio"/> 120V LTE <input type="radio"/> 120V 0-10V <input type="radio"/> 277V 0-10V



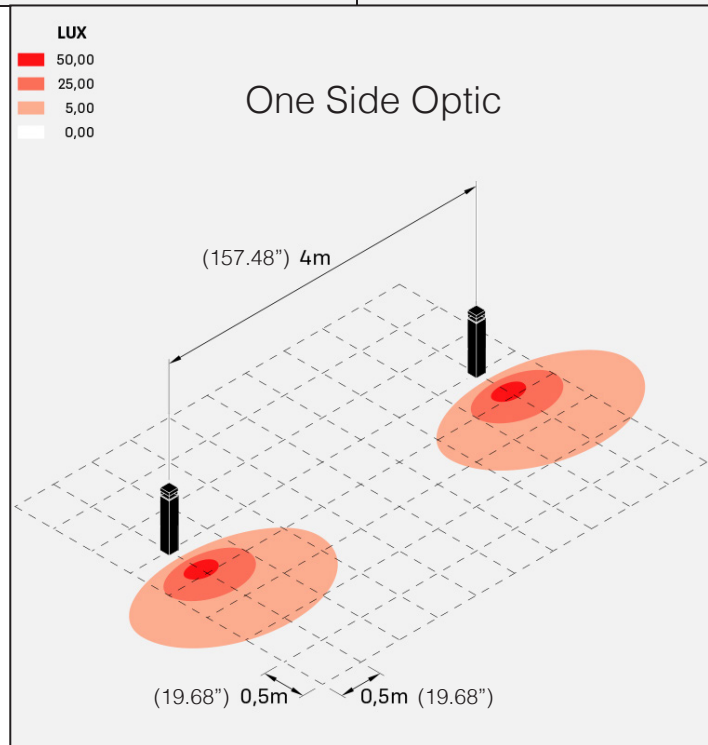
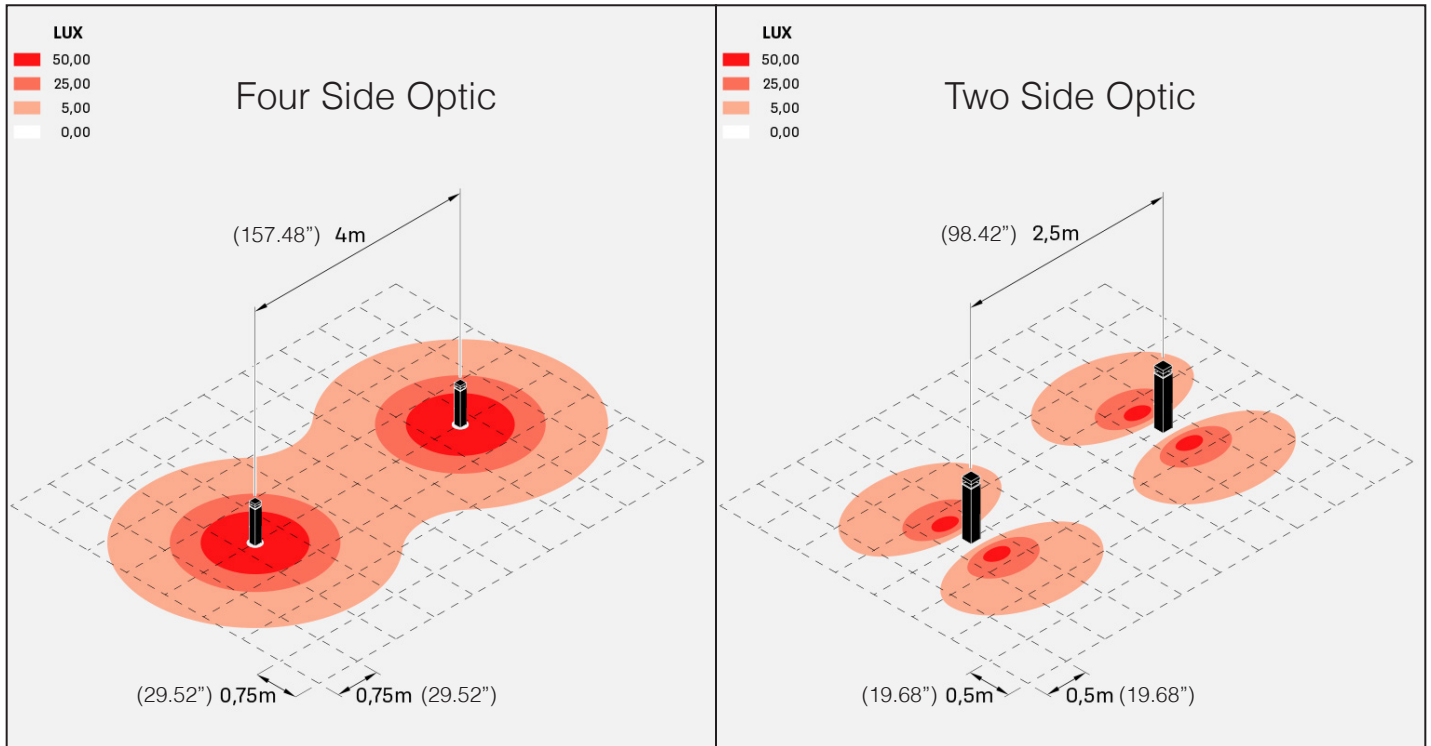
\*See details on the next page.

# TKO™ SQUARE

BOLLARD - H700

TYPE:

PROJECT NAME:



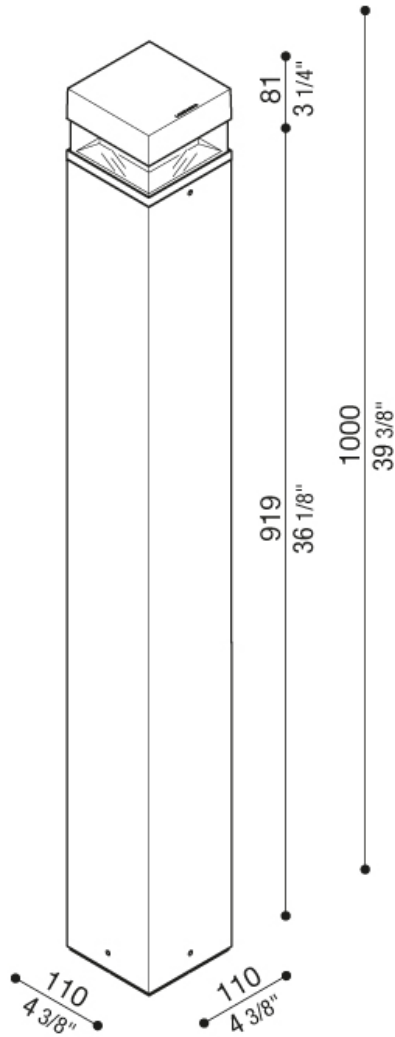
SPECIFICATION SHEET

# TKO™ SQUARE

BOLLARD - H1000

TYPE:

PROJECT NAME:



## Technical information:

Installation:	Ground
Material:	Aluminum
Treatment:	Sea Treatment
Diffuser type:	PMMA
CRI:	>80
LB Factor:	L80B20 - 50.000h
Power consumption [Watt]	14
Source Lumen:	1920 lm
Delivered Lumen:	630 lm
Type of protection:	IP66

SPECIFICATION SHEET

## ORDERING INFO

Model (Order Code)	Structure Finish	Optic Options*	LED	Dimming Options
<input type="radio"/> L53TKOSQUARE H1000	<input type="radio"/> AN: Anthracite RAL7021 <input type="radio"/> GR: Grey RAL9006 <input type="radio"/> WH: White RAL9010 <input type="radio"/> CO: Corten	<input type="radio"/> Four Side Optic <input type="radio"/> Two Side Optic <input type="radio"/> One Side Optic	<input type="radio"/> 2200K <input type="radio"/> 2700K <input type="radio"/> 3000K <input type="radio"/> 4000K	<input type="radio"/> 120V LTE <input type="radio"/> 120V 0-10V <input type="radio"/> 277V 0-10V



\*See details on the next page.

**Luminart®**

WWW.LUMINARTLIGHTING.COM  
Last updated: 04/22/24

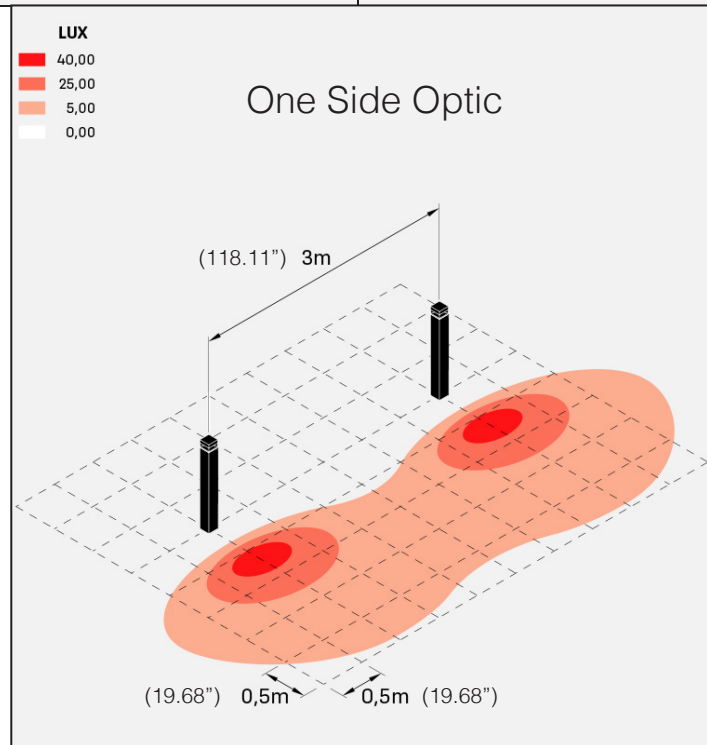
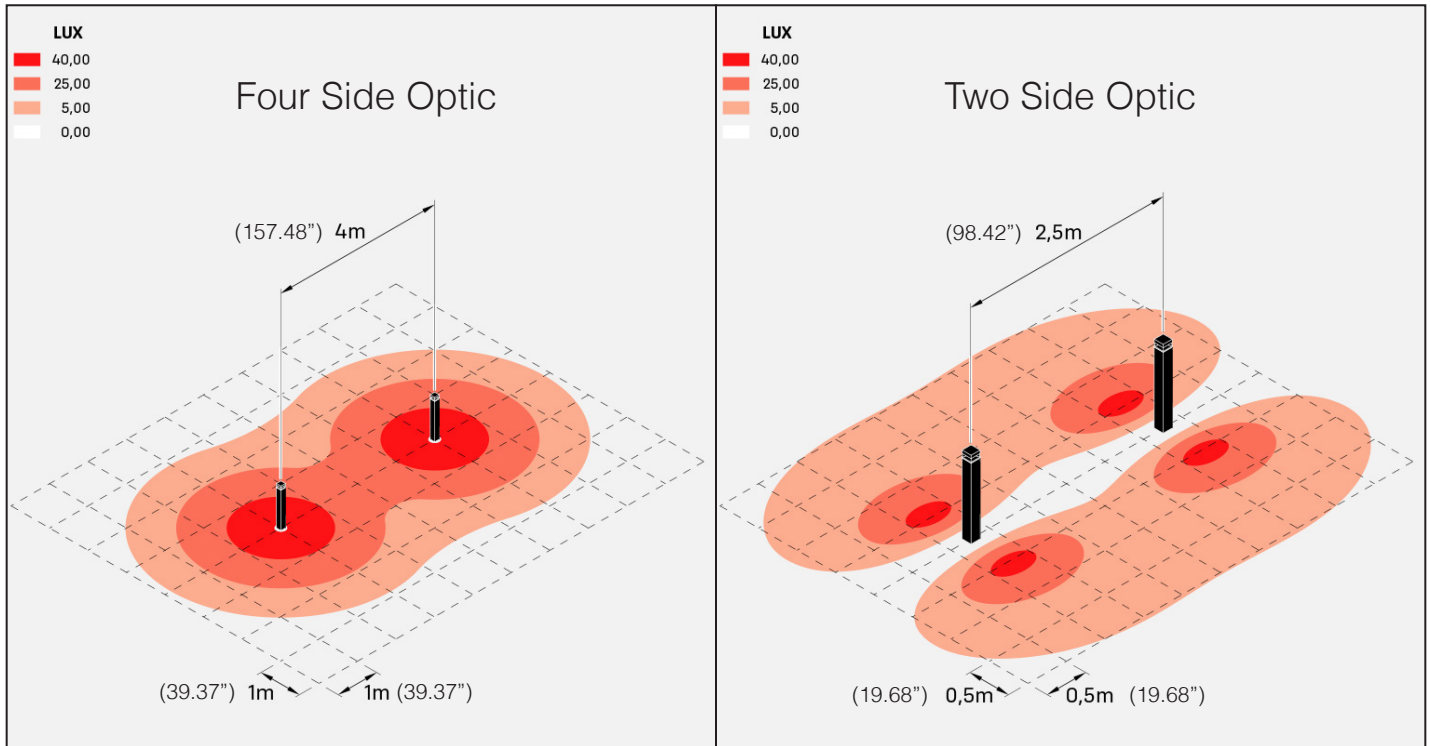


# TKO™ SQUARE

BOLLARD - H1000

TYPE:

PROJECT NAME:



SPECIFICATION SHEET