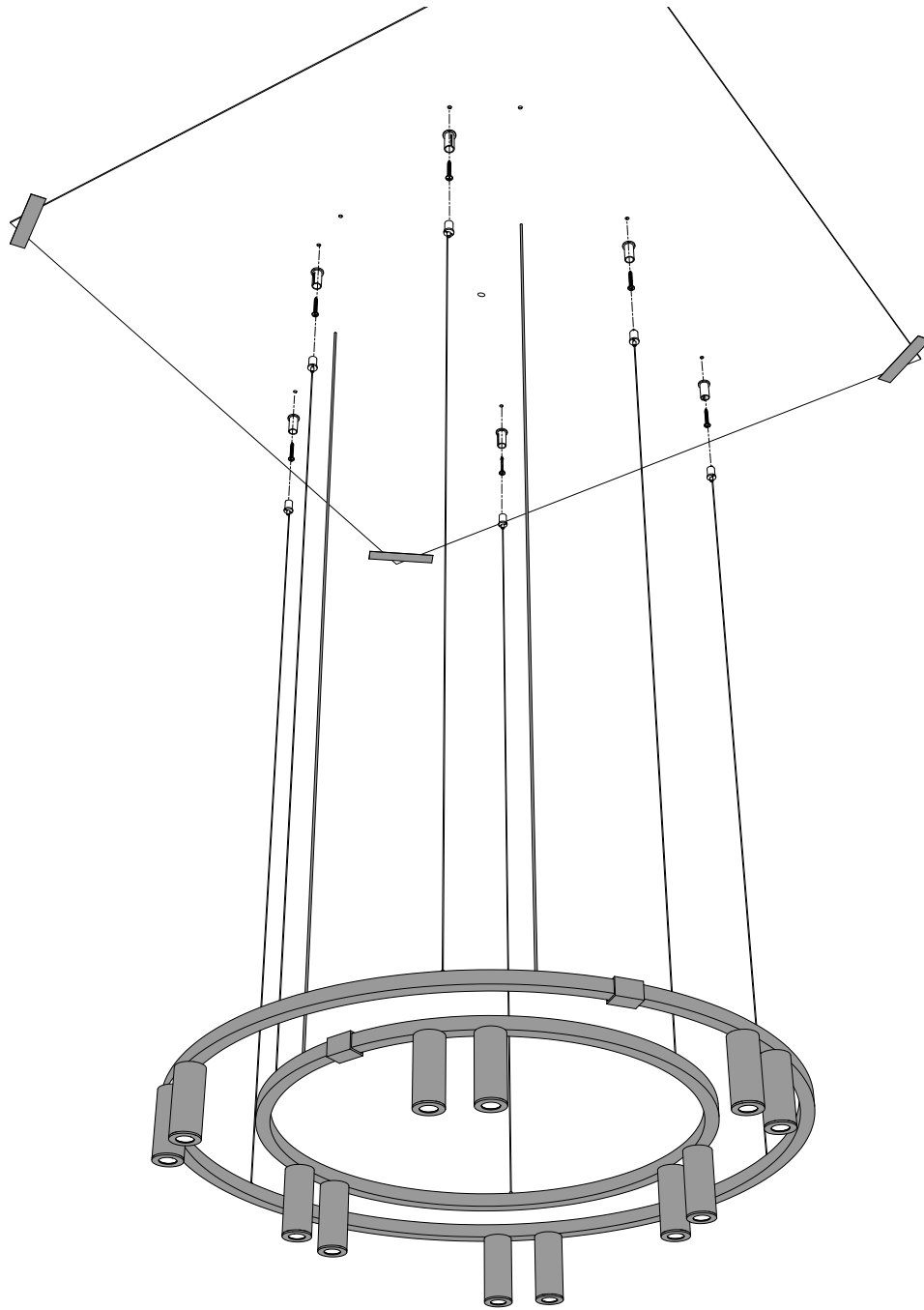
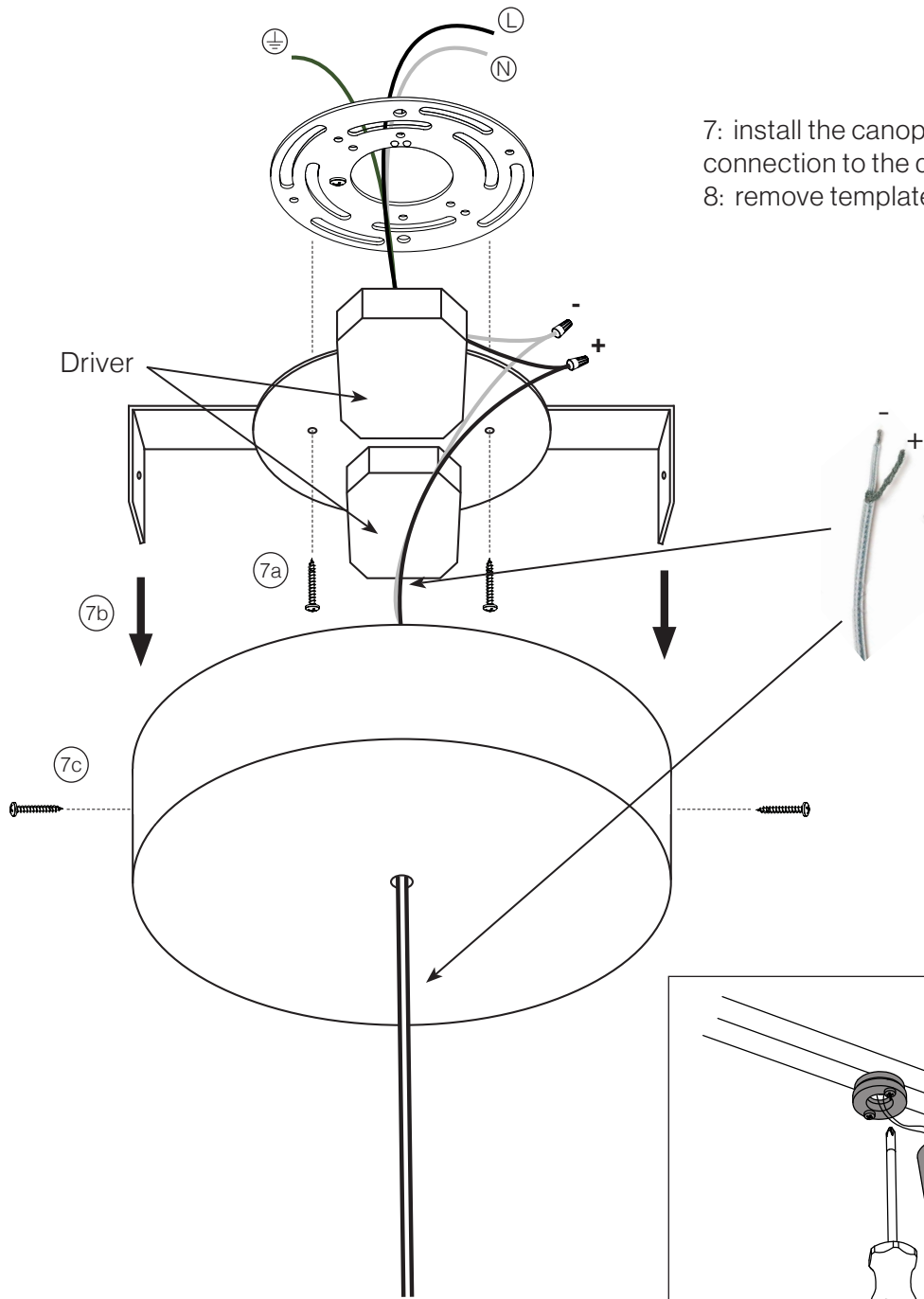


READ COMPLETE INSTALLATION MANUAL BEFORE STARTING.

- 1: place the template on the ground or table and place ring(s) in the desired position on the circle(s)
- 2: mark the centre on the template + the positions of the steelcables and power cable(s) on the template and punch small holes through the paper using a sharp pencil or object. Make a distinction between power cable and steelcables.



- 4: tape the template firmly to the ceiling (with the drawing facing the ceiling) in the desired position. Use centermark on the template if necessary.
- 5: install the cableholders on the marks (except on the marks for the power cable) and attach the steelcables to suspend the ring(s).
- 6: level the rings and choose the height(s) by adjusting the steelcables.

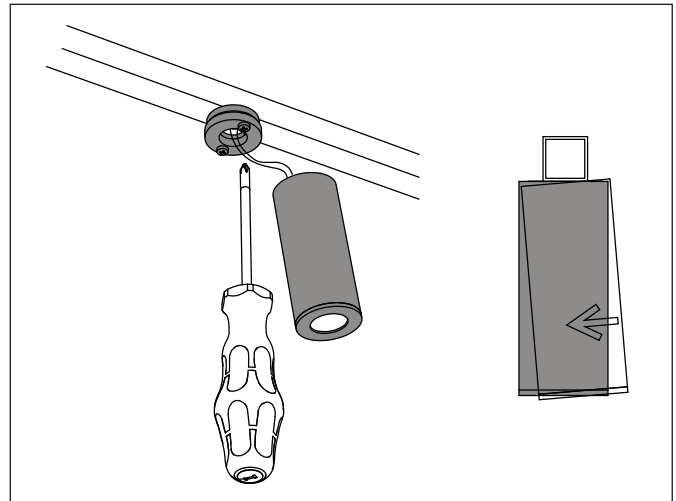


7: install the canopy and make the electrical connection to the driver(s).  
8: remove template.

Low voltage cable connects to driver.

**Note:**

For 2 - 3 rings composition, each ring has individual cable that connects to its own driver.



adjusting the tubes ( if necessary):

- 1: unscrew cylinder
- 2: adjust by tightening or loosening screws until tube is vertical