

USHER™

WALL

TYPE:

PROJECT NAME:



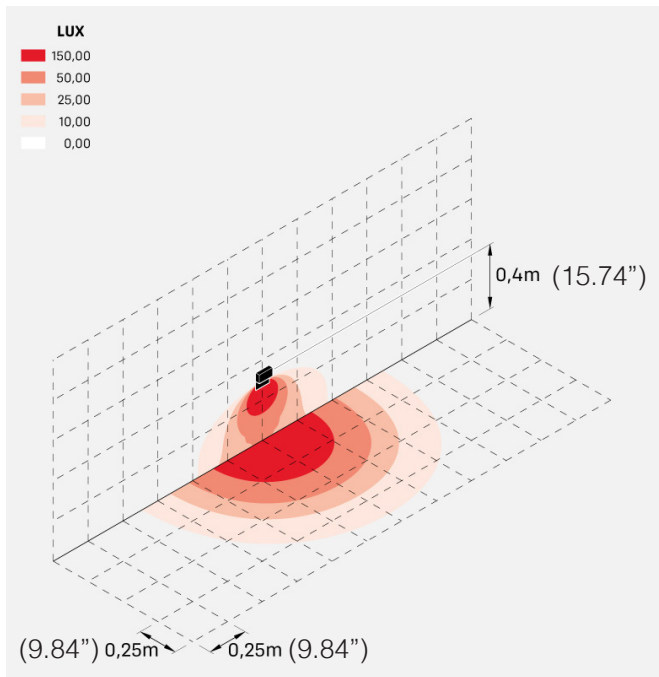
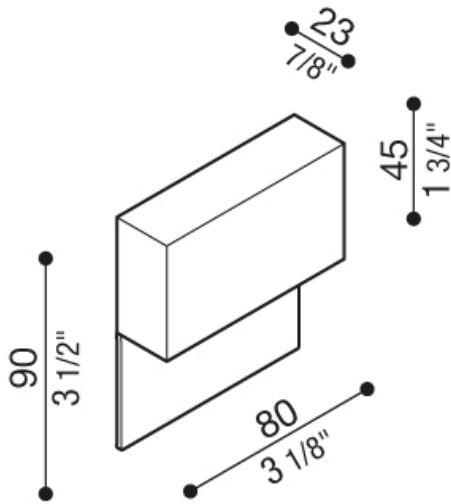
SPECIFICATION SHEET

USHER™ SMALL

WALL

TYPE:

PROJECT NAME:



Technical information:

Installation:	Wall
Material:	Aluminum
Treatment:	Sea Treatment
Diffuser type:	Frosted glass
CRI:	>80
LB Factor:	L80B20 - 50.000h
Power consumption [Watt]	2
Source Lumen:	290 lm
Delivered Lumen:	248 lm
Type of protection:	IP66

SPECIFICATION SHEET

ORDERING INFO

Model (Order Code)	Structure Finish	LED	Dimming Options
<input type="radio"/> L53 USHER24V SMALL	<input type="radio"/> BL: Black <input type="radio"/> CO: Corten <input type="radio"/> AN: Anthracite <input type="radio"/> GR: Grey <input type="radio"/> WH: White <input type="radio"/> GO: Gold	<input type="radio"/> 2200K <input type="radio"/> 2700K <input type="radio"/> 3000K <input type="radio"/> 4000K	<input type="radio"/> 120V LTE <input type="radio"/> 120V 0-10V <input type="radio"/> 277V 0-10V



Luminart®

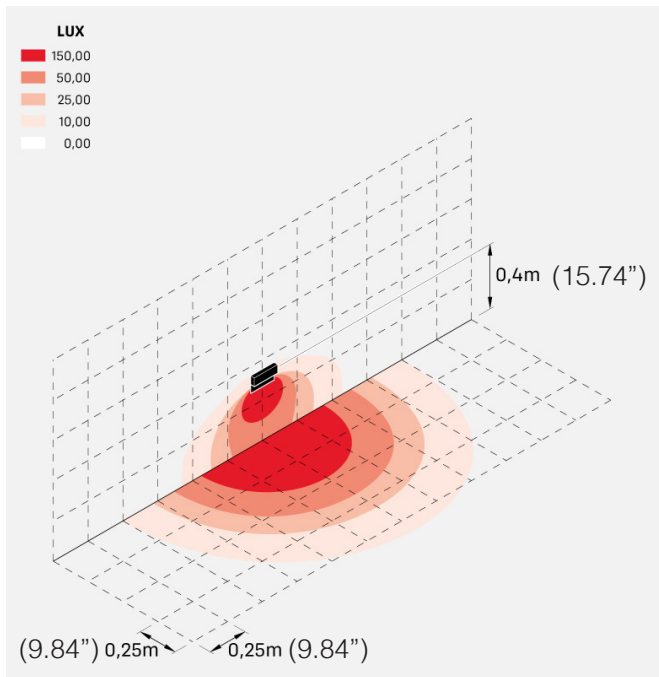
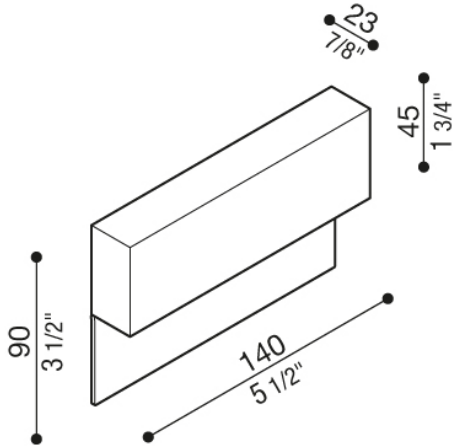
WWW.LUMINARTLIGHTING.COM

USHER™ MEDIUM

WALL

TYPE:

PROJECT NAME:



Technical information:

Installation:	Wall
Material:	Aluminum
Treatment:	Sea Treatment
Diffuser type:	Frosted glass
CRI:	>80
LB Factor:	L80B20 - 50.000h
Power consumption [Watt]	4
Source Lumen:	590 lm
Delivered Lumen:	419 lm
Type of protection:	IP66

SPECIFICATION SHEET

ORDERING INFO

Model (Order Code)	Structure Finish	LED	Dimming Options
<input type="radio"/> L53 USHER24V MEDIUM	<input type="radio"/> BL: Black <input type="radio"/> CO: Corten <input type="radio"/> AN: Anthracite <input type="radio"/> GR: Grey <input type="radio"/> WH: White <input type="radio"/> GO: Gold	<input type="radio"/> 2200K <input type="radio"/> 2700K <input type="radio"/> 3000K <input type="radio"/> 4000K	<input type="radio"/> 120V LTE <input type="radio"/> 120V 0-10V <input type="radio"/> 277V 0-10V



Luminart®

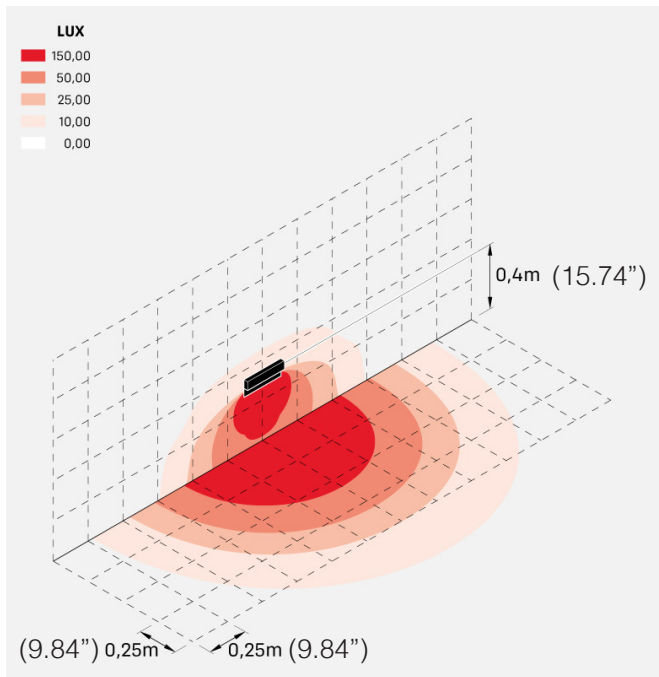
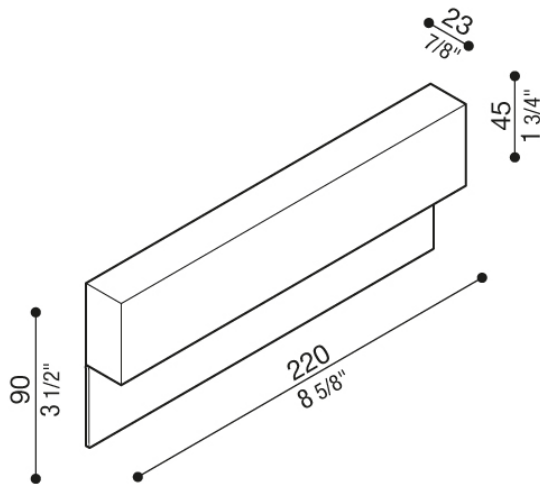
WWW.LUMINARTLIGHTING.COM

USHER™ LARGE

WALL

TYPE:

PROJECT NAME:



Technical information:

Installation:	Wall
Material:	Aluminum
Treatment:	Sea Treatment
Diffuser type:	Frosted glass
CRI:	>80
LB Factor:	L80B20 - 50.000h
Power consumption [Watt]	6
Source Lumen:	870 lm
Delivered Lumen:	800 lm
Type of protection:	IP66

SPECIFICATION SHEET

ORDERING INFO

Model (Order Code)	Structure Finish	LED	Dimming Options
<input type="radio"/> L53 USHER24V LARGE	<input type="radio"/> BL: Black <input type="radio"/> CO: Corten <input type="radio"/> AN: Anthracite <input type="radio"/> GR: Grey <input type="radio"/> WH: White <input type="radio"/> GO: Gold	<input type="radio"/> 2200K <input type="radio"/> 2700K <input type="radio"/> 3000K <input type="radio"/> 4000K	<input type="radio"/> 120V LTE <input type="radio"/> 120V 0-10V <input type="radio"/> 277V 0-10V



Luminart®

WWW.LUMINARTLIGHTING.COM