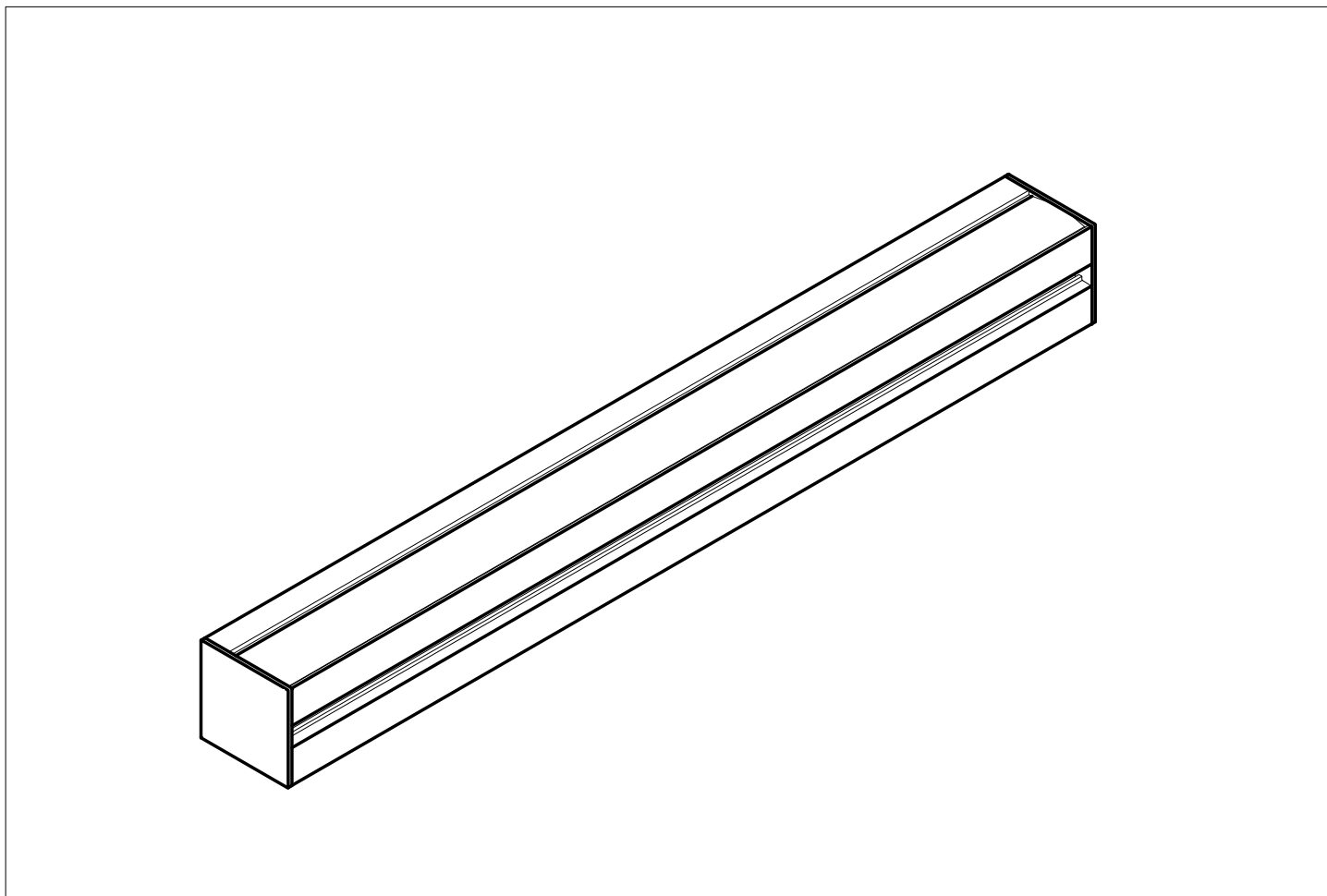


TYPE:

PROJECT NAME:

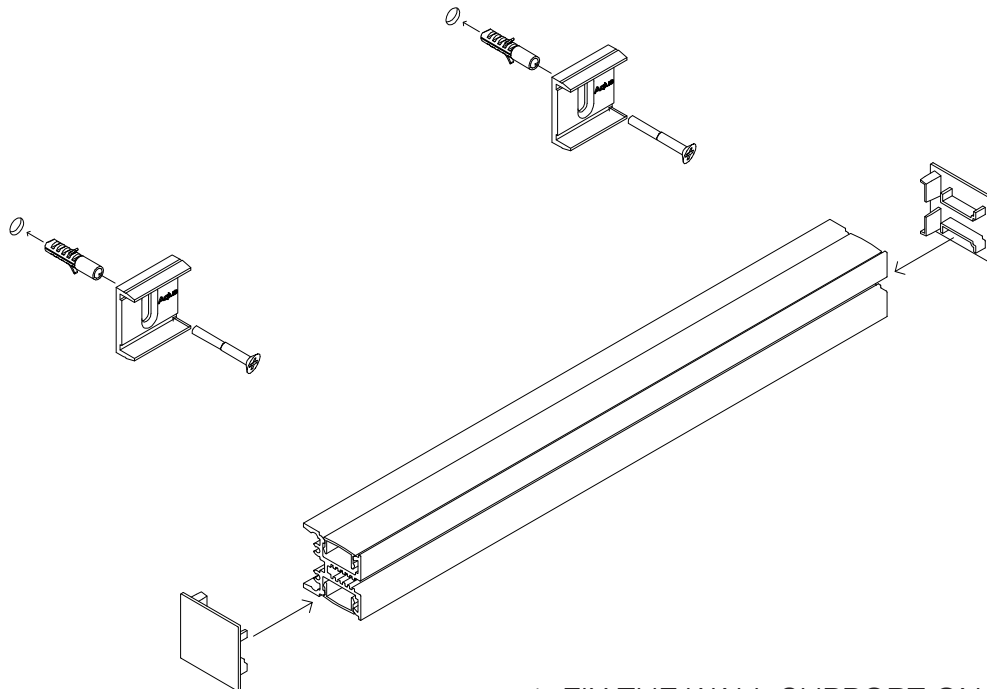


This product must be installed in accordance with the applicable installation code by a person familiar with the construction and operation of the product.

Class II luminaire

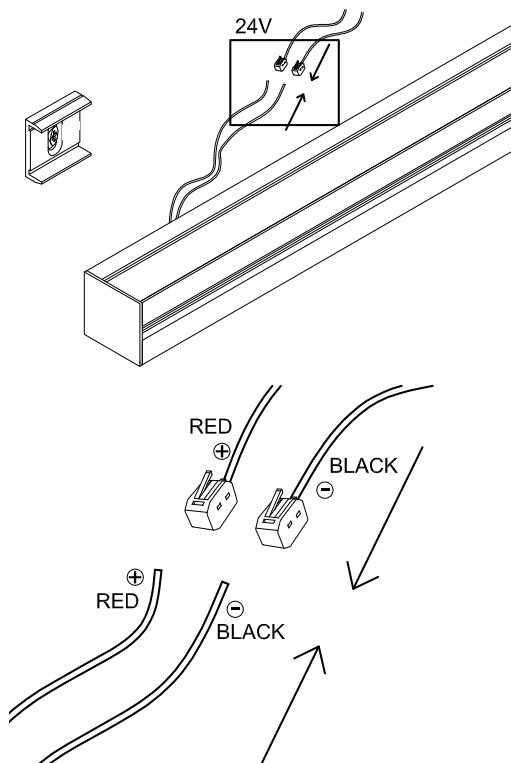
TYPE:

PROJECT NAME:



1. FIX THE WALL SUPPORT ON THE WALL.

2. MAKE NECESSARY CONNECTIONS TO REMOTE POWER SUPPLY (24V DC).



3. PUSH FIRMLY ON THE FRONT OF THE LIGHTING FIXTURE NEAR THE MOUNTING POSITIONS TO SECURE INTO THE WALL ANCHORS. SECURE THE LIGHTING FIXTURE TO THE WALL SUPPORTS.

