

BLOOM™ MINI

BOLLARD

TYPE:

PAGE: 1 of 4

PROJECT NAME:



SPECIFICATION SHEET

Luminart®

WWW.LUMINARTLIGHTING.COM
Last updated: 07/24/24



Fixture Specifications

Protection . IP 66 - IK 08

Body . Anticorodal turning aluminum 6000 Serie, for greater corrosion resistance

Frame . Steel AISI 316L

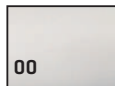
Screen . Extra-clear transparent Glass 6mm

Seals . EPDM rubber

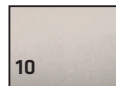
Screws . Stainless steel A2

Paint / Finishing . Anti-corrosive UV stabilised polyester powder

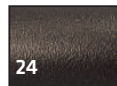
Finishes



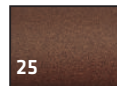
00
PURE WHITE
RAL 9016



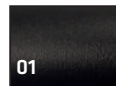
10
WHITE
RAL 9010



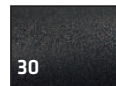
24
BRONZE



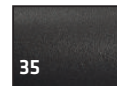
25
RUST



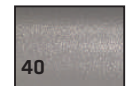
01
BLACK
RAL 9005



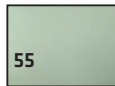
30
ANTHRACITE



35
SLATE GREY



40
GREY
RAL 9006



55
GREEN COOL
MINT
RAL 6019

ORDERING INFO

BLOOM MINI

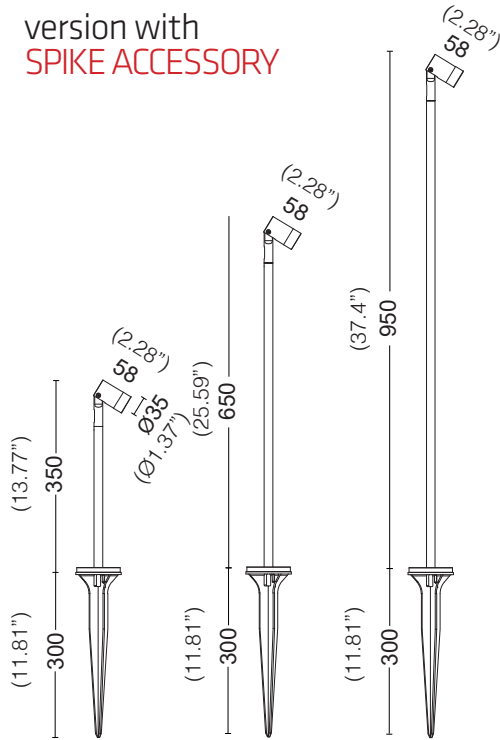
Model (Order Code)	Finish Options	Optic Options*	Accessories**	LED*	Remote Driver Options
<input type="radio"/> BLOOM MINI	<input type="radio"/> 00: Pure White <input type="radio"/> 10: White <input type="radio"/> 24: Bronze <input type="radio"/> 25: Rust <input type="radio"/> 01: Black <input type="radio"/> 30: Anthracite <input type="radio"/> 35: Slate Grey <input type="radio"/> 40: Grey <input type="radio"/> 55: Green Cool Mint	<input type="radio"/> NB: Narrow Beam 15° <input type="radio"/> MB: Medium Beam 30° <input type="radio"/> WB: Wide Beam 40° *See details on page 4.	<input type="radio"/> Spike <input type="radio"/> Underground Casing **See details on page 3.	<input type="radio"/> 27: 2700K <input type="radio"/> 30: 3000K <input type="radio"/> 40: 4000K **See details on page 4.	<input type="radio"/> 120V LTE <input type="radio"/> 120V-277V 0-10V (Universal Voltage)

SPECIFICATION SHEET

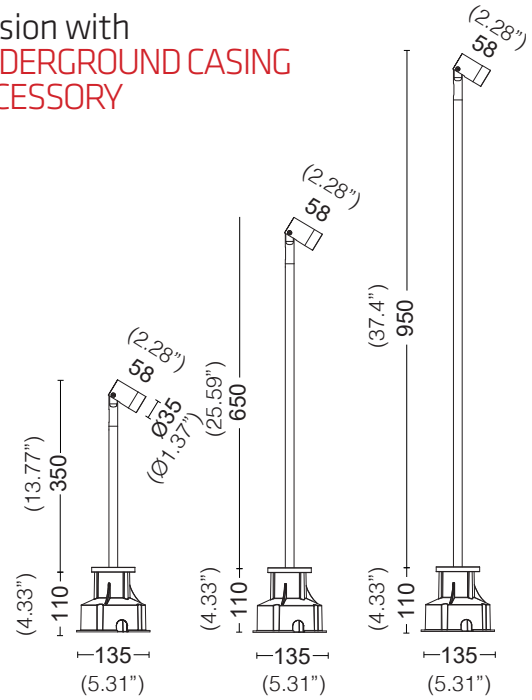


Accessories

version with
SPIKE ACCESSORY



version with
UNDERGROUND CASING ACCESSORY



SPIKE



Underground CASING



BLOOM™ MINI

BOLLARD

TYPE:

PAGE: 4 of 4

PROJECT NAME:

SPECIFICATION SHEET

	<i>beam</i>	<i>class</i>	<i>power</i>	<i>source</i>	<i>fixture</i>	<i>CCT LED</i>	<i>CRI</i>
H 350 mm (13.77")	NB Spot/15°	III	2W	170 lm	130 lm	2700K	80
	NB Spot/15°	III	2W	170 lm	130 lm	3000K	80
	NB Spot/15°	III	2W	190 lm	150 lm	4000K	80
	MB Flood/30°	III	2W	170 lm	125 lm	2700K	80
	MB Flood/30°	III	2W	170 lm	125 lm	3000K	80
	MB Flood/30°	III	2W	190 lm	145 lm	4000K	80
	WB Wide Flood/40°	III	2W	170 lm	120 lm	2700K	80
	WB Wide Flood/40°	III	2W	170 lm	120 lm	3000K	80
	WB Wide Flood/40°	III	2W	190 lm	140 lm	4000K	80
H 650 mm (25.59")	NB Spot/15°	III	2W	170 lm	130 lm	2700K	80
	NB Spot/15°	III	2W	170 lm	130 lm	3000K	80
	NB Spot/15°	III	2W	190 lm	150 lm	4000K	80
	MB Flood/30°	III	2W	170 lm	125 lm	2700K	80
	MB Flood/30°	III	2W	170 lm	125 lm	3000K	80
	MB Flood/30°	III	2W	190 lm	145 lm	4000K	80
	WB Wide Flood/40°	III	2W	170 lm	120 lm	2700K	80
	WB Wide Flood/40°	III	2W	170 lm	120 lm	3000K	80
	WB Wide Flood/40°	III	2W	190 lm	140 lm	4000K	80
H 950 mm (37.4")	NB Spot/15°	III	2W	170 lm	130 lm	2700K	80
	NB Spot/15°	III	2W	170 lm	130 lm	3000K	80
	NB Spot/15°	III	2W	190 lm	150 lm	4000K	80
	MB Flood/30°	III	2W	170 lm	125 lm	2700K	80
	MB Flood/30°	III	2W	170 lm	125 lm	3000K	80
	MB Flood/30°	III	2W	190 lm	145 lm	4000K	80
	WB Wide Flood/40°	III	2W	170 lm	120 lm	2700K	80
	WB Wide Flood/40°	III	2W	170 lm	120 lm	3000K	80
	WB Wide Flood/40°	III	2W	190 lm	140 lm	4000K	80