

# CUBIX™ SQUARE

CEILING

TYPE:

PROJECT NAME:



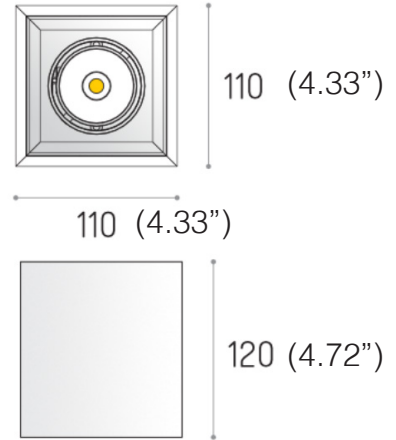
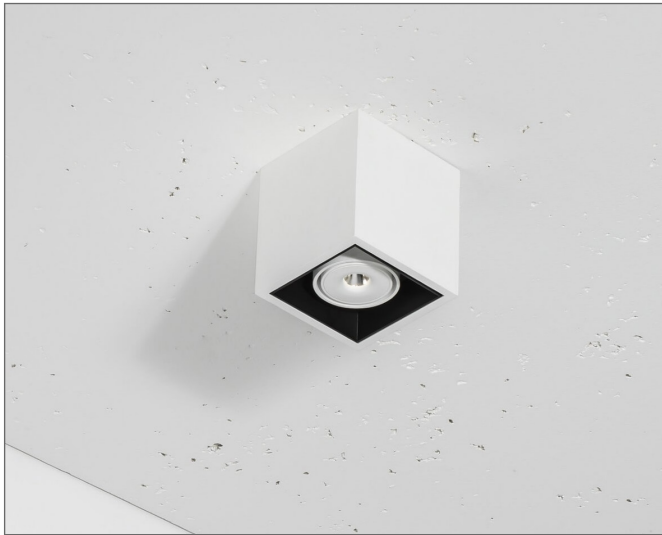
SPECIFICATION SHEET

# CUBIX™ SQUARE 1

CEILING

TYPE:

PROJECT NAME:



Classic series of luminaires. Straight lines, basic shapes, no visible mounting components. Cubix Square models are now available with the powerful mini.LED module. Cubix Square will be available in versions with 1 or 2 light sources.

**Power input:** 11W

**Installation:** surface mounted, ceiling

**Materials:** Aluminum

**Ingress protection:** IP20

**Electrical:** High efficiency electronic power supply  
120V-277V

**Finish options:** Black, White

**Light source:** LED 850 lm  
2700K  
3000K  
4000K

SPECIFICATION SHEET

## ORDERING INFO

Model (Order Code)	Finish Options	LED	Dimming Options
<input type="radio"/> L54CUBIXSQUARE1	<input type="radio"/> B: Black <input type="radio"/> W: White <input type="radio"/> T: Terracotta <input type="radio"/> OG: Ocean Grey <input type="radio"/> WD: Warm Dust	<input type="radio"/> 27: 2700K <input type="radio"/> 30: 3000K <input type="radio"/> 40: 4000K	<input type="radio"/> 120V LTE <input type="radio"/> 120V-277V 0-10V (Universal Voltage)

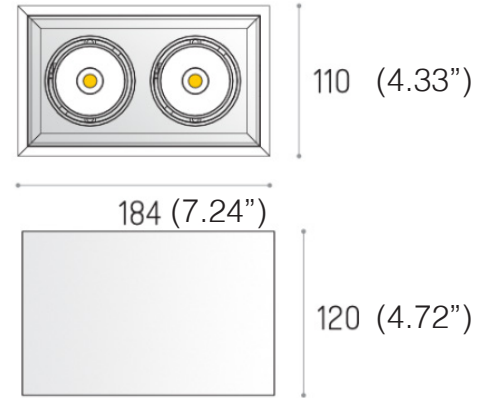


# CUBIX™ SQUARE 2

CEILING

TYPE:

PROJECT NAME:



Classic series of luminaires. Straight lines, basic shapes, no visible mounting components. Cubix Square models are now available with the powerful mini.LED module. Cubix Square will be available in versions with 1 or 2 light sources.

**Power input:** 2 x 11W

**Installation:** surface mounted, ceiling

**Materials:** Aluminum

**Ingress protection:** IP20

**Electrical:** High efficiency electronic power supply  
120V-277V

**Finish options:** Black, White

**Light source:** LED 2 x 850 lm  
2700K  
3000K  
4000K

SPECIFICATION SHEET

## ORDERING INFO

Model (Order Code)	Finish Options	LED	Dimming Options
<input type="radio"/> L54CUBIXSQUARE2	<input type="radio"/> B: Black <input type="radio"/> W: White <input type="radio"/> T: Terracotta <input type="radio"/> OG: Ocean Grey <input type="radio"/> WD: Warm Dust	<input type="radio"/> 27: 2700K <input type="radio"/> 30: 3000K <input type="radio"/> 40: 4000K	<input type="radio"/> 120V LTE <input type="radio"/> 120V-277V 0-10V (Universal Voltage)

