

ORION™ D

BOLLARD

TYPE:

PROJECT NAME:



SPECIFICATION SHEET

Luminart®

WWW.LUMINARTLIGHTING.COM
Last updated: 07/08/24

ORION™ D

BOLLARD

TYPE:

PROJECT NAME:



Fixture Specifications

Protection . IP 65 - IK 08

Body Pole . Extruded aluminium alloy

Body/Base . Die-cast aluminium alloy

Screen . Frosted glass

Seals . Closed-cell EPDM rubber

Screws . Stainless steel A2

Paint / Finishing . Anti-corrosive UV stabilised polyester powder

Finishes



00
PURE WHITE
RAL 9016



01
BLACK
RAL 9005



10
WHITE
RAL 9010



24
BRONZE



25
RUST



30
ANTHRACITE



35
SLATE GREY



40
GREY
RAL 9006

Assembly

Ground connection system with anchoring brackets to be ordered separately. The orientation is independent of the layout of the ground fixing holes.

Application



Residential areas



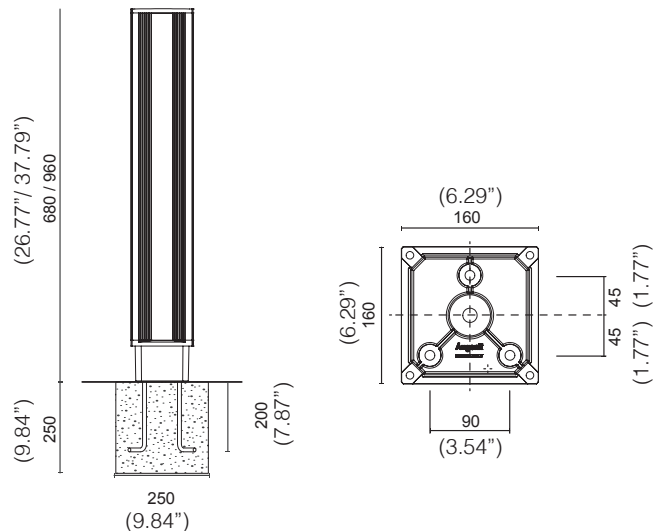
Cycle
Pedestrian paths



Access areas



Parks
Gardens





SPECIFICATION SHEET

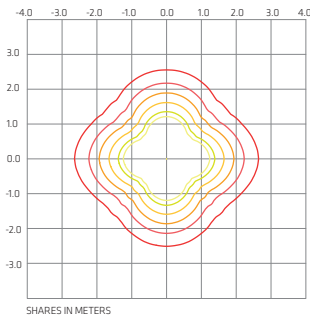
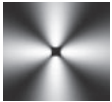
ORION™ D 680

BOLLARD

TYPE:

PROJECT NAME:

beam	class	W	source	fixture	CCT LED	CRI
 360°	I	14W	1880 lm	1120 lm	3000 K	80
 360°	I	14W	2020 lm	1200 lm	4000 K	80

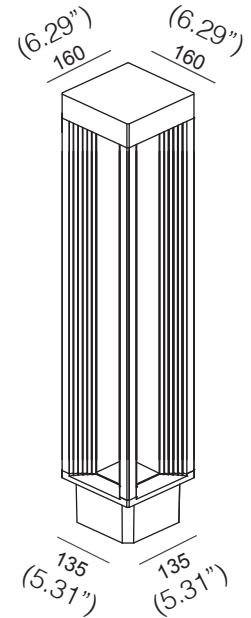


4000K - 14W
H 680 mm

- 60 lux
- 40 lux
- 20 lux
- 10 lux
- 5 lux
- 2 lux



Diffuse Emission 360°
Frosted Glass



Assembly / Usage
Ground installation

Ground connection system with
anchoring brackets to be
ordered separately

ORDERING INFO

ORION D 680

G

Model (Order Code)

Finish Options

Accessories

LED

Dimming Options

ORION D 680

- 00: Pure White
- 10: White
- 24: Bronze
- 25: Rust
- 01: Black
- 30: Anthracite
- 35: Slate Grey
- 40: Grey

G: Ground Anchoring Bracket

- 30: 3000K
- 40: 4000K

- 120V LTE
- 120V-277V 0-10V
(Universal Voltage)



SPECIFICATION SHEET

Luminart®



WWW.LUMINARTLIGHTING.COM
Last updated: 07/08/24

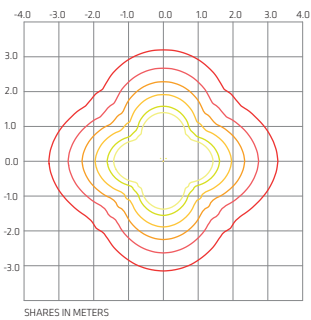
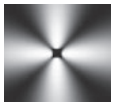
ORION™ D 960

BOLLARD

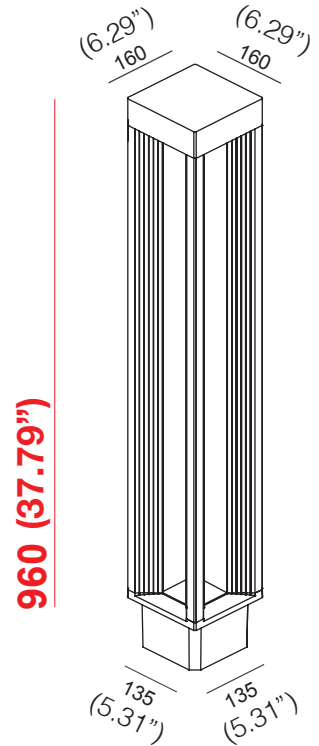
TYPE:

PROJECT NAME:

beam	class	W	source	fixture	CCT LED	CRI
 360°	I	14W	1880 lm	1120 lm	3000 K	80
 360°	I	14W	2020 lm	1200 lm	4000 K	80



Diffuse Emission 360°
Frosted Glass



Assembly / Usage
Ground installation

Ground connection system with
anchoring brackets to be
ordered separately

ORDERING INFO

ORION D 960

G

Model (Order Code)

Finish Options

Accessories

LED

Dimming Options

ORION D 960

- 00: Pure White
- 10: White
- 24: Bronze
- 25: Rust
- 01: Black
- 30: Anthracite
- 35: Slate Grey
- 40: Grey

G: Ground Anchoring Bracket

- 30: 3000K
- 40: 4000K

- 120V LTE
- 120V-277V 0-10V
(Universal Voltage)



SPECIFICATION SHEET

Luminart®

WWW.LUMINARTLIGHTING.COM
Last updated: 07/08/24