

# ORION™ TL

BOLLARD

TYPE:

PROJECT NAME:



SPECIFICATION SHEET

**Luminart®**

WWW.LUMINARTLIGHTING.COM  
Last updated: 07/08/24

# ORION™ TL

BOLLARD

TYPE:

PROJECT NAME:



## Fixture Specifications

Protection . IP 65 - IK 08

Body Pole . Extruded aluminium alloy  
Body/Base . Die-cast aluminium alloy

Screen . Opal polycarbonate

Seals . Closed-cell EPDM rubber

Screws . Stainless steel A2

Paint / Finishing . Anti-corrosive UV stabilised polyester powder

## Finishes



00  
PURE WHITE  
RAL 9016



01  
BLACK  
RAL 9005



10  
WHITE  
RAL 9010



24  
BRONZE



25  
RUST



30  
ANTHRACITE



35  
SLATE GREY



40  
GREY  
RAL 9006

## Assembly

Ground connection system with anchoring brackets to be ordered separately. The orientation is independent of the layout of the ground fixing holes.

## Application



Residential areas



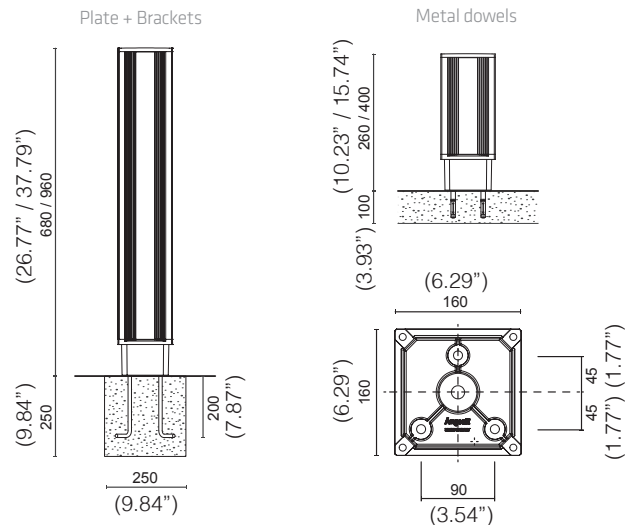
Cycle  
Pedestrian paths



Access areas



Parks  
Gardens





SPECIFICATION SHEET

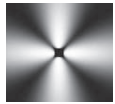
# ORION™ TL 260

BOLLARD

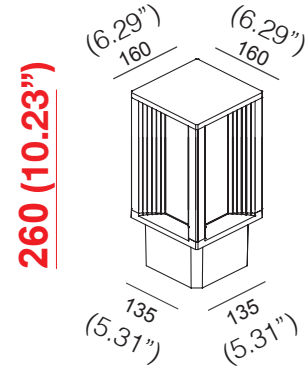
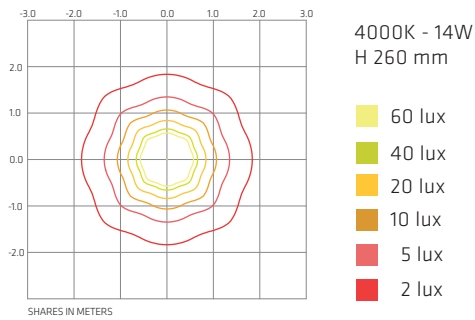
TYPE:

PROJECT NAME:

beam	class	W	source	fixture	CCT LED	CRI
 360°	I	14W	1760 lm	820 lm	3000 K	80
 360°	I	14W	1840 lm	860 lm	4000 K	80



**4 WAYS**  
4 openings



SPECIFICATION SHEET

## ORDERING INFO

Model (Order Code)	Finish Options	Optic Options	Accessories	LED	Dimming Options
ORION TL 260	00: Pure White 10: White 24: Bronze 25: Rust 01: Black 30: Anthracite 35: Slate Grey 40: Grey	Four Ways Optic	G: Ground Anchoring Bracket	30: 3000K 40: 4000K	120V LTE 120V-277V 0-10V (Universal Voltage)





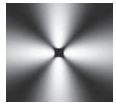
# ORION™ TL 400

BOLLARD

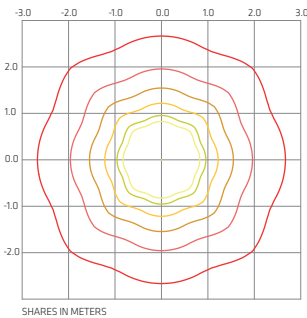
TYPE:

PROJECT NAME:

beam	class	W	source	fixture	CCT LED	CRI
 360°	I	25W	3480 lm	1630 lm	3000 K	80
 360°	I	25W	3680 lm	1720 lm	4000 K	80

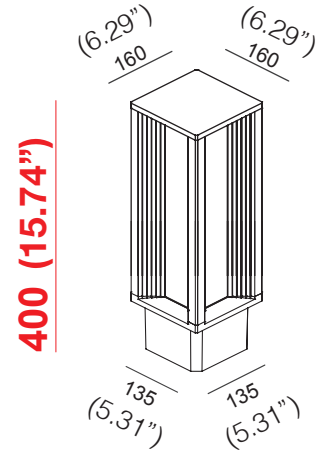


**4 WAYS**  
4 openings



4000K - 25W  
H 400 mm

- 60 lux
- 40 lux
- 20 lux
- 10 lux
- 5 lux
- 2 lux



SPECIFICATION SHEET

## ORDERING INFO

ORION TL 400 - - - G - -

Model (Order Code)	Finish Options	Optic Options	Accessories	LED	Dimming Options
<input type="radio"/> ORION TL 400	<input type="radio"/> 00: Pure White <input type="radio"/> 10: White <input type="radio"/> 24: Bronze <input type="radio"/> 25: Rust <input type="radio"/> 01: Black <input type="radio"/> 30: Anthracite <input type="radio"/> 35: Slate Grey <input type="radio"/> 40: Grey	<input type="radio"/> Four Ways Optic	<input type="radio"/> G: Ground Anchoring Bracket	<input type="radio"/> 30: 3000K <input type="radio"/> 40: 4000K	<input type="radio"/> 120V LTE <input type="radio"/> 120V-277V 0-10V (Universal Voltage)



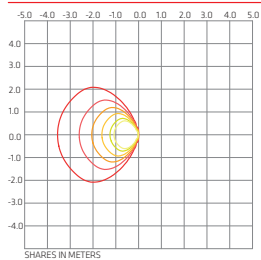
# ORION™ TL 680

BOLLARD

TYPE:

PROJECT NAME:

beam	class	W	source	fixture	CCT LED	CRI
1 WAY >120°	I	9W	1250 lm	585 lm	3000 K	80
1 WAY >120°	I	9W	1310 lm	612 lm	4000 K	80
2 WAYS >120°	I	18W	2500 lm	1170 lm	3000 K	80
2 WAYS >120°	I	18W	2620 lm	1224 lm	4000 K	80
360°	I	36W	5000 lm	2340 lm	3000 K	80
360°	I	36W	5240 lm	2450 lm	4000 K	80

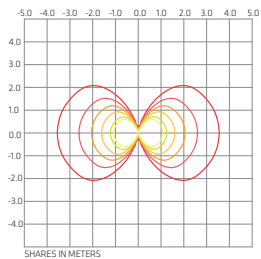


4000K - 9W  
H 680 mm

- 60 lux
- 40 lux
- 20 lux
- 10 lux
- 5 lux
- 2 lux



**1 WAY**  
1 opening  
1 x 120°

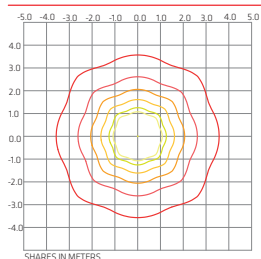


4000K - 18W  
H 680 mm

- 60 lux
- 40 lux
- 20 lux
- 10 lux
- 5 lux
- 2 lux



**2 WAYS**  
2 opening  
2 x 120°



4000K - 36W  
H 680 mm

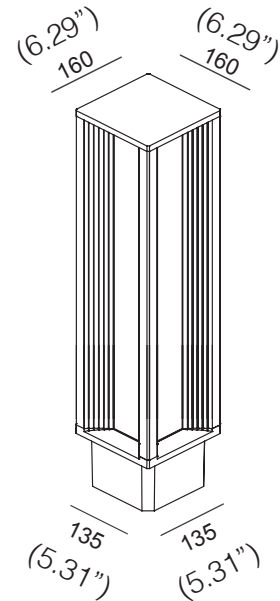
- 60 lux
- 40 lux
- 20 lux
- 10 lux
- 5 lux
- 2 lux



**4 WAYS**  
4 opening



**680 (26.77")**



SPECIFICATION SHEET

## ORDERING INFO

ORION TL 680

G

Model (Order Code)	Finish Options	Optic Options	Accessories	LED	Dimming Options
<input type="radio"/> ORION TL 680	<input type="radio"/> 00: Pure White <input type="radio"/> 10: White <input type="radio"/> 24: Bronze <input type="radio"/> 25: Rust <input type="radio"/> 01: Black <input type="radio"/> 30: Anthracite <input type="radio"/> 35: Slate Grey <input type="radio"/> 40: Grey	<input type="radio"/> One Way Optic <input type="radio"/> Two Ways Optic <input type="radio"/> Four Ways Optic	<input type="radio"/> G: Ground Anchoring Bracket	<input type="radio"/> 30: 3000K <input type="radio"/> 40: 4000K	<input type="radio"/> 120V LTE <input type="radio"/> 120V-277V 0-10V (Universal Voltage)



**Luminart®**

WWW.LUMINARTLIGHTING.COM  
Last updated: 07/08/24

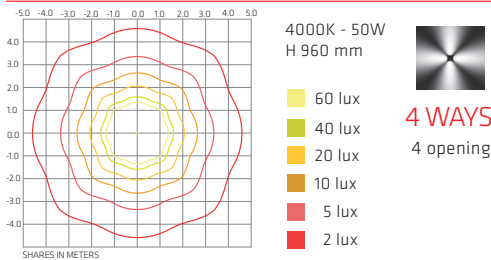
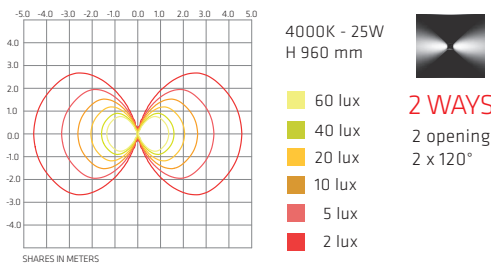
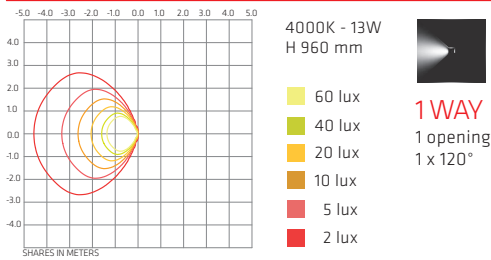
# ORION™ TL 960

BOLLARD

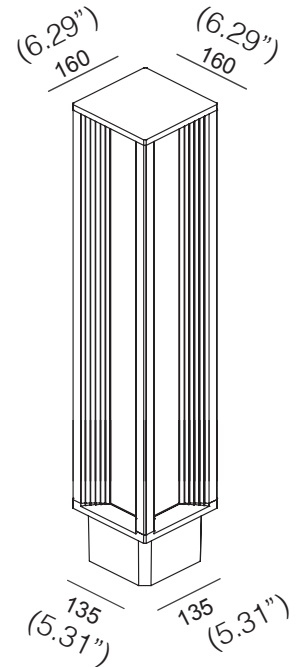
TYPE:

PROJECT NAME:

beam	class	W	source	fixture	CCT LED	CRI
1 WAY >120°	I	13W	1880 lm	879 lm	3000 K	80
1 WAY >120°	I	13W	1980 lm	925 lm	4000 K	80
2 WAYS >120°	I	25W	3760 lm	1760 lm	3000 K	80
2 WAYS >120°	I	25W	3960 lm	1850 lm	4000 K	80
360°	I	50W	7520 lm	3515 lm	3000 K	80
360°	I	50W	7920 lm	3700 lm	4000 K	80



**960 (37.79")**



SPECIFICATION SHEET

## ORDERING INFO

ORION TL 960 - - - G - -

Model (Order Code)	Finish Options	Optic Options	Accessories	LED	Dimming Options
<input type="radio"/> ORION TL 960	<input type="radio"/> 00: Pure White <input type="radio"/> 10: White <input type="radio"/> 24: Bronze <input type="radio"/> 25: Rust <input type="radio"/> 01: Black <input type="radio"/> 30: Anthracite <input type="radio"/> 35: Slate Grey <input type="radio"/> 40: Grey	<input type="radio"/> One Way Optic <input type="radio"/> Two Ways Optic <input type="radio"/> Four Ways Optic	<input type="radio"/> G: Ground Anchoring Bracket	<input type="radio"/> 30: 3000K <input type="radio"/> 40: 4000K	<input type="radio"/> 120V LTE <input type="radio"/> 120V-277V 0-10V (Universal Voltage)

