

# STEM™

BOLLARD

TYPE:

PROJECT NAME:



SPECIFICATION SHEET

**Luminart®**

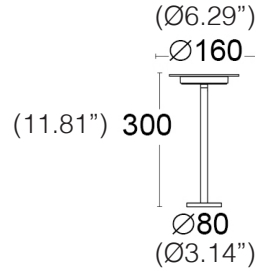
WWW.LUMINARTLIGHTING.COM  
Last updated: 07/25/24

# STEM™ 300

BOLLARD

TYPE:

PROJECT NAME:



## FIXTURE SPECIFICATIONS

### ASSEMBLY / USAGE

Ground installation

### PROTECTION

IP 65 - IK 08

### BODY

Die-cast aluminum

### SCREEN

Opale Polycarbonate

### SEALS

Closed-cell EPDM rubber

### SCREWS

Stainless steel A2

### PAINT / FINISHING

Anti-corrosive UV stabilised polyester powder

## ELECTRICAL SPECIFICATIONS

### ABSORBED POWER

11W

### SOURCE

LED

### SOURCE FLUX

1420 lm (1510 lm for 4000K)

### FIXTURE SOURCE

800 lm (880 lm for 4000K)

### CCT LED

2700K / 3000K / 4000K

### CRI

>80

### BEAM OPENING

Diffuse 360°

### APPARENT EFFICIENCY

56 %

## COLORS



## ACCESSORIES



Small pole Spike Kit  
H 350 x Ø 80  
(13.77" x Ø3.14")



Inground formwork kit  
H 110 x Ø 135  
(4.33" x Ø5.31")

## ORDERING INFO

STEM 300

Model (Order Code)	Finish Options	Accessories	LED	Remote Driver Options
<input type="radio"/> STEM 300	<input type="radio"/> 00: Pure White <input type="radio"/> 01: Black <input type="radio"/> 10: White <input type="radio"/> 24: Bronze <input type="radio"/> 25: Rust <input type="radio"/> 30: Anthracite <input type="radio"/> 35: Slate Grey <input type="radio"/> 40: Grey <input type="radio"/> 55: Green Cool Mint	<input type="radio"/> P: Small pole spike kit <input type="radio"/> K: Inground formwork kit	<input type="radio"/> 27: 2700K <input type="radio"/> 30: 3000K <input type="radio"/> 40: 4000K	<input type="radio"/> 120V LTE <input type="radio"/> 120V-277V 0-10V (Universal Voltage)



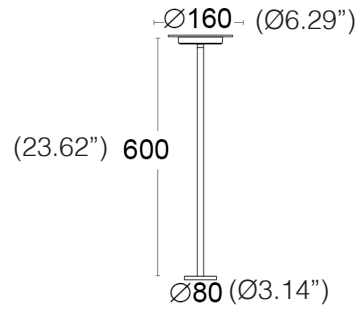
SPECIFICATION SHEET

# STEM™ 600

BOLLARD

TYPE:

PROJECT NAME:



## FIXTURE SPECIFICATIONS

### ASSEMBLY / USAGE

Ground installation

### PROTECTION

IP 65 - IK 08

### BODY

Die-cast aluminum

### SCREEN

Opale Polycarbonate

### SEALS

Closed-cell EPDM rubber

### SCREWS

Stainless steel A2

### PAINT / FINISHING

Anti-corrosive UV stabilised polyester powder

## ELECTRICAL SPECIFICATIONS

### ABSORBED POWER

11W

### SOURCE

LED

### SOURCE FLUX

1420 lm (1510 lm for 4000K)

### FIXTURE SOURCE

800 lm (880 lm for 4000K)

### CCT LED

2700K / 3000K / 4000K

### CRI

>80

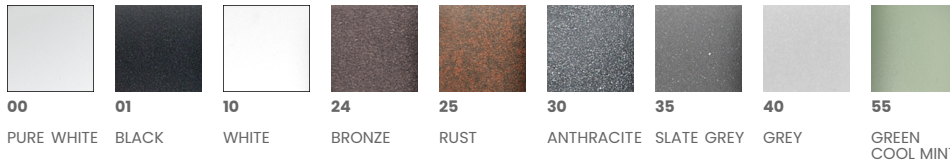
### BEAM OPENING

Diffuse 360°

### APPARENT EFFICIENCY

56 %

## COLORS



## ACCESSORIES



Small pole Spike Kit  
H 350 x Ø 80  
(13.77" x Ø3.14")



Inground formwork kit  
H 110 x Ø 135  
(4.33" x Ø5.31")

## ORDERING INFO

STEM 600

Model (Order Code)	Finish Options	Accessories	LED	Remote Driver Options
<input type="radio"/> STEM 600	<input type="radio"/> 00: Pure White <input type="radio"/> 01: Black <input type="radio"/> 10: White <input type="radio"/> 24: Bronze <input type="radio"/> 25: Rust <input type="radio"/> 30: Anthracite <input type="radio"/> 35: Slate Grey <input type="radio"/> 40: Grey <input type="radio"/> 55: Green Cool Mint	<input type="radio"/> P: Small pole spike kit <input type="radio"/> K: Inground formwork kit	<input type="radio"/> 27: 2700K <input type="radio"/> 30: 3000K <input type="radio"/> 40: 4000K	<input type="radio"/> 120V LTE <input type="radio"/> 120V-277V 0-10V (Universal Voltage)



SPECIFICATION SHEET

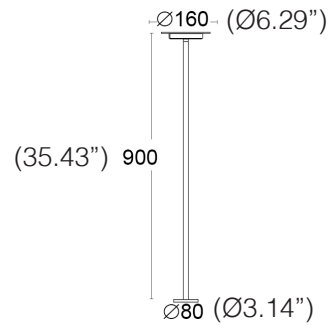


# STEM™ 900

BOLLARD

TYPE:

PROJECT NAME:



## FIXTURE SPECIFICATIONS

### ASSEMBLY / USAGE

Ground installation

### PROTECTION

IP 65 - IK 08

### BODY

Die-cast aluminum

### SCREEN

Opale Polycarbonate

### SEALS

Closed-cell EPDM rubber

### SCREWS

Stainless steel A2

### PAINT / FINISHING

Anti-corrosive UV stabilised polyester powder

## ELECTRICAL SPECIFICATIONS

### ABSORBED POWER

11W

### SOURCE

LED

### SOURCE FLUX

1420 lm (1510 lm for 4000K)

### FIXTURE SOURCE

800 lm (880 lm for 4000K)

### CCT LED

2700K / 3000K / 4000K

### CRI

>80

### BEAM OPENING

Diffuse 360°

### APPARENT EFFICIENCY

56 %

## COLORS



## ACCESSORIES



Small pole Spike Kit  
H 350 x Ø 80  
(13.77" x Ø3.14")



Inground formwork kit  
H 110 x Ø 135  
(4.33" x Ø5.31")

## ORDERING INFO

STEM 900

Model (Order Code)	Finish Options	Accessories	LED	Remote Driver Options
<input type="radio"/> STEM 900	<input type="radio"/> 00: Pure White <input type="radio"/> 01: Black <input type="radio"/> 10: White <input type="radio"/> 24: Bronze <input type="radio"/> 25: Rust <input type="radio"/> 30: Anthracite <input type="radio"/> 35: Slate Grey <input type="radio"/> 40: Grey <input type="radio"/> 55: Green Cool Mint	<input type="radio"/> P: Small pole spike kit <input type="radio"/> K: Inground formwork kit	<input type="radio"/> 27: 2700K <input type="radio"/> 30: 3000K <input type="radio"/> 40: 4000K	<input type="radio"/> 120V LTE <input type="radio"/> 120V-277V 0-10V (Universal Voltage)



SPECIFICATION SHEET