

TOAD™ OVAL

SUSPENSION

TYPE:

PROJECT NAME:



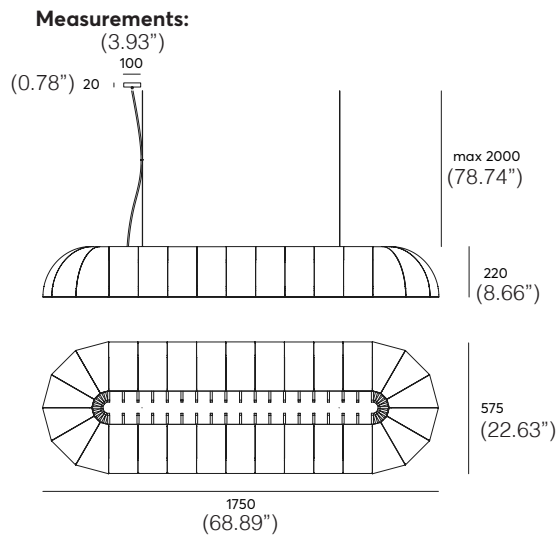
SPECIFICATION SHEET

TOAD™ OVAL

SUSPENSION

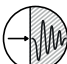
TYPE:

PROJECT NAME:



Material:
PET Felt (polyethylene terephthalate)

Fixture:
2m (78.74") black textile cable
2 black metal wires with adjustable griplock
Black ceiling cap

Acoustic properties:
 1,98 m² of acoustic absorption material of aw 0,45

Total weight gross | net: 10,9 | 9,8kg

SPECIFICATION SHEET

ORDERING INFO

TOAD OVAL					
Model (Order Code)	Inside Acoustic Options	Outside Acoustic Options	Optic Options	LED	Dimming Options
<input type="radio"/> TOAD OVAL	<input type="radio"/> See Acoustic Finish Options on Next Page	<input type="radio"/> See Acoustic Finish Options on Next Page	<input type="radio"/> Cubic <input type="radio"/> Prismatic	<input type="radio"/> 30: 3000K <input type="radio"/> 40: 4000K	<input type="radio"/> 120V LTE <input type="radio"/> 120-277V 0-10V (Universal Voltage)



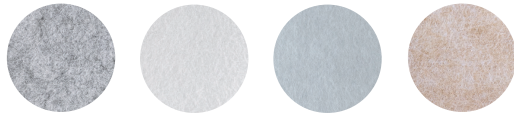
TOAD™ OVAL

SUSPENSION

TYPE:

PROJECT NAME:

Inside Colors:



11_Fog Grey 07_Ghost White 30_Cool Grey 04_Bisque

Colors:



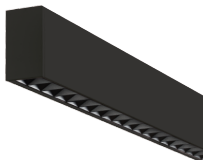
13_Black 03_Charcoal 36_Dim Grey 11_Fog Grey 07_Ghost White 19_Midnight 26_Ocean 30_Cool Grey 41_Mint Pastel



17_Forest 40_Faded Jade 06_Olive 39_Warm Grey 04_Bisque 35_Ochre 45_Chilli 09_Lavender 31_Rosé

Light source specifications:

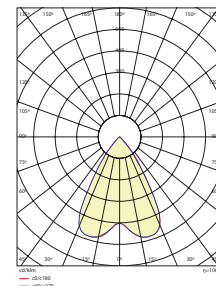
Cubic



LED power:	34W
Luminous Flux:	4140lm
Frequency:	47-63Hz
Power factor:	122lm/W
Optics:	Cubic Optic
CRI:	Ra>80
UGR:	<10
Operating temperature:	-20 ~ +45

Photometrics:

Lumen intensity distribution



Prismatic



LED power:	29W
Luminous Flux:	3510lm
Frequency:	47-63Hz
Power factor:	121lm/W
Optics:	Prismatic difuser
CRI:	Ra>80
UGR:	<19
Operating temperature:	-20 ~ +45

Acoustic specifications:

The acoustic design principle

Toad is designed to catch sound directly from the space where sound is created. Such as meeting rooms or dining tables.

Calculated acoustic surface area: 1,98 m²

aw (ISO 11654) = 0,45

SAA (ASTM - C423) = 0,45

Measurement of 9mm free hanging PET Felt

sound absorption calculation in a reverberation room

