

ARGON™ S RGB

RECESSED

TYPE:

PROJECT NAME:

LIGHTING FEATURES

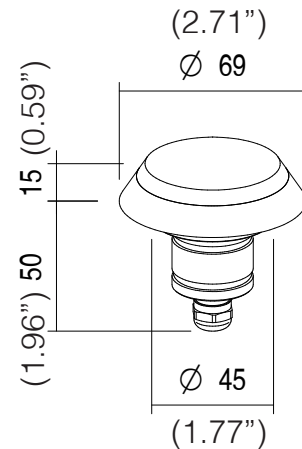
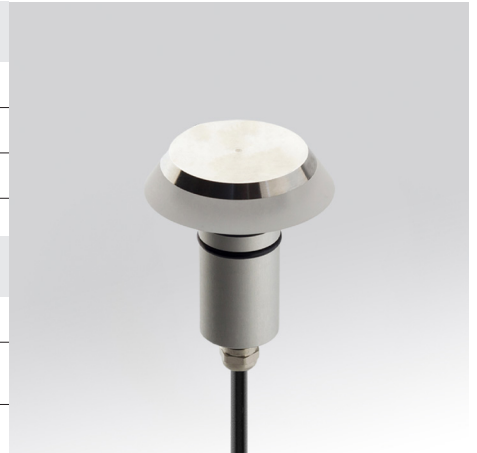
LED COLOUR	RGBW
OPTICS	360°
AVERAGE LED LIFE	50.000h L80 B10

MECHANICAL FEATURES

WEIGHT	Kg 0,24
FINISHES	Steel
INSTALLATION	Recessed in ground with housing box, recessed in brickwork with housing box
MATERIAL	Anticorodal anodized aluminum body, AISI 316L stainless steel trim, sandblasted PMMA diffuser

GENERAL FEATURES

OPERATING TEMPERATURE	-10°C +45°C
INGRESS PROTECTION	IP67
IMPACT RESISTANCE	IK10
GLOW WIRE TEST	960°C
APPLIANCE CLASS	II



SPECIFICATION SHEET

ORDERING INFO

Model (Order Code)	Structure Finish	Optic Options	Accessories	LED	Remote Driver
<input type="radio"/> ARGONS RGB 4W	<input type="radio"/> S: AISI 316L Stainless Steel Marine Grade	<input type="radio"/> 360: 360°	<input type="radio"/> CA031: Housing Box <input type="radio"/> CAE60: Housing Box	<input type="radio"/> RGB	<input type="radio"/> 120V LTE <input type="radio"/> 120-277V 0-10V




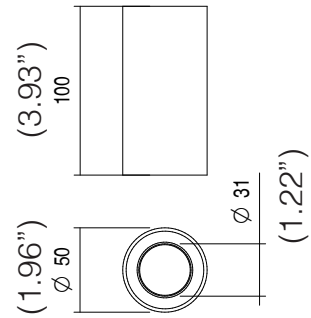
ARGON™ S RGB


RECESSED - ACCESSORIE

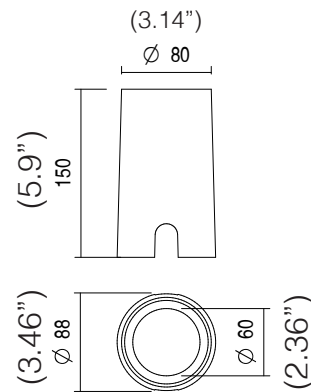
TYPE:

PROJECT NAME:

CODE	CA031
TPOLOGY	Housing box  kg 0,16
MATERIAL	PVC



CODE	CAE60
TPOLOGY	Housing box  kg 0,28
MATERIAL	Polyethylene



SPECIFICATION SHEET