

# ARGON™ S

RECESSED

TYPE:

PROJECT NAME:

## LIGHTING FEATURES

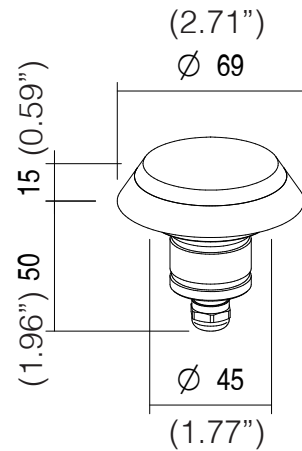
LED COLOUR	2200K, 2700K, 3000K, 4000K, Red, Green, Blue
CRI	>80 (2200K, 2700K, 3000K, 4000K)
OPTICS	360°
3000K REAL OUTPUT FLUX	2,2W 35lm
AVERAGE LED LIFE	50.000h L80 B10

## MECHANICAL FEATURES

WEIGHT	Kg 0,24
FINISHES	Steel
INSTALLATION	Recessed in ground with housing box, recessed in brickwork with housing box
MATERIAL	Anticorodal anodized aluminum body, AISI 316L stainless steel trim, sandblasted PMMA diffuser

## GENERAL FEATURES

OPERATING TEMPERATURE	-10°C +45°C
INGRESS PROTECTION	IP67
IMPACT RESISTANCE	IK10
GLOW WIRE TEST	960°C
APPLIANCE CLASS	II



## ORDERING INFO

Model (Order Code)	Structure Finish	Optic Options	Accessories	LED	Remote Driver
<input type="radio"/> ARGONS 2.2W	<input type="radio"/> S: AISI 316L Stainless Steel Marine Grade	<input type="radio"/> 360: 360°	<input type="radio"/> CA031: Housing Box <input type="radio"/> CAE60: Housing Box	<input type="radio"/> 22: 2200K <input type="radio"/> 27: 2700K <input type="radio"/> 30: 3000K <input type="radio"/> 40: 4000K <input type="radio"/> R: Red <input type="radio"/> G: Green <input type="radio"/> B: Blue	<input type="radio"/> 120V LTE <input type="radio"/> 120-277V 0-10V



SPECIFICATION SHEET

**Luminart®**

WWW.LUMINARTLIGHTING.COM  
Last updated: 08/21/24

# ARGON™ S

RECESSED - ACCESSORIE

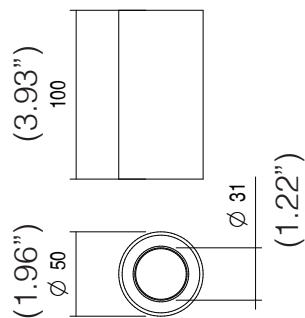
TYPE:

PROJECT NAME:

CODE CA031

TPOLOGY *Housing box*  kg 0,16

MATERIAL PVC



CODE CAE60

TPOLOGY *Housing box*  kg 0,28

MATERIAL Polyethylene

