

BRITE™ SQUARE RGB

RECESSED

TYPE:

PROJECT NAME:

LIGHTING FEATURES

LED COLOUR	RGBW
OPTICS	36°, 60°, Diffused
AVERAGE LED LIFE	50.000h L80 B10

MECHANICAL FEATURES

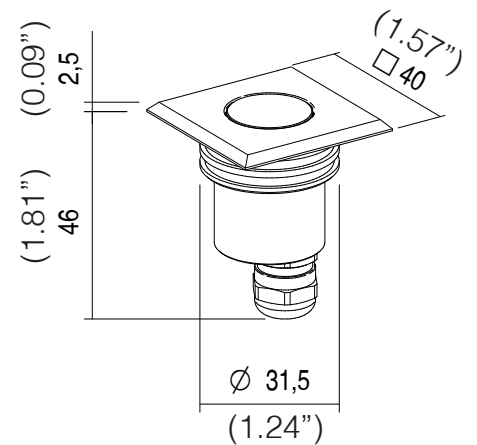
WEIGHT	Kg 0,13
FINISHES	Anodized aluminum, Steel

INSTALLATION
*Recessed in ground with housing box,
 recessed in plasterboard or wood with springs,
 recessed in brickwork with housing box*

MATERIAL
*Anticorodal anodized aluminum body, anodized aluminum or
 AISI 316L stainless steel trim, transparent tempered glass and
 PMMA lens*

GENERAL FEATURES

OPERATING TEMPERATURE	-10°C +45°C
INGRESS PROTECTION	IP67
IMPACT RESISTANCE	IK08
GLOW WIRE TEST	960°C
CLASS	II



SPECIFICATION SHEET

ORDERING INFO

BRITESQUARERGB -		-	-	HC	-	RGB	-
Model (Order Code)	Structure Finish	Optic Options	Accessories	Filter Options	LED	Remote Driver	
<input type="radio"/> BRITESQUARE RGB 1.6W	<input type="radio"/> A: Anodized Aluminum <input type="radio"/> S: AISI 316L Stainless Steel Marine Grade	<input type="radio"/> 30: 30° <input type="radio"/> 60: 60° <input type="radio"/> D: Diffused	<input type="radio"/> ML032: Torsion Spring <input type="radio"/> CAW32: Housing Box <input type="radio"/> CAI32: Housing Box	<input type="radio"/> HC: Honeycombo	<input type="radio"/> RGB	<input type="radio"/> 120V LTE <input type="radio"/> 120-277V 0-10V	




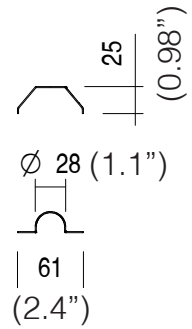
BRITE™ SQUARE RGB


RECESSED - ACCESSORIE

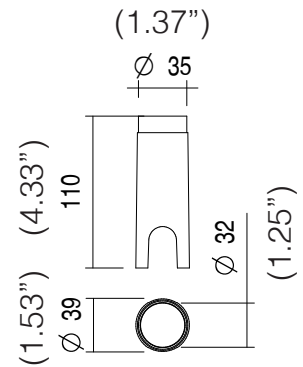
TYPE:


PROJECT NAME:

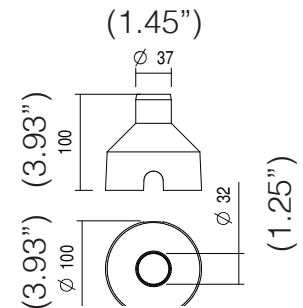
CODE	ML032
TPOLOGY	Torsion spring  kg 0,001
MATERIAL	Stainless steel



CODE	CAW32
TPOLOGY	Housing box  kg 0,09
MATERIAL	PVC



CODE	CAI32
TPOLOGY	Housing box  kg 0,06
MATERIAL	ABS



to be chosen

SPECIFICATION SHEET

BRITE™ SQUARE RGB

RECESSED - FILTER

TYPE:

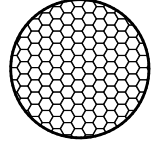
PROJECT NAME:

CODE

HC

TPOLOGY

Honeycomb filter



SPECIFICATION SHEET