

FENICCE™ RGB

RECESSED

TYPE:

PROJECT NAME:

LIGHTING FEATURES

LED COLOUR	RGBW
OPTICS	Circular
AVERAGE LED LIFE	50.000h L80 B10

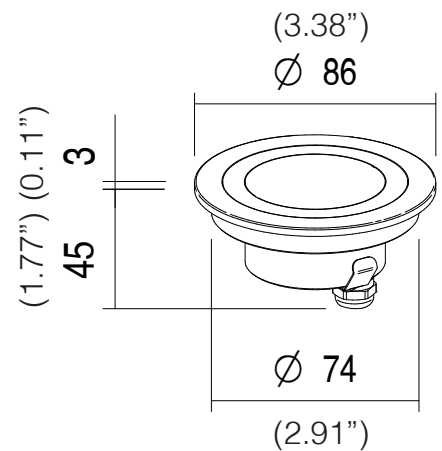
MECHANICAL FEATURES

WEIGHT	Kg 1,72
FINISHES	Steel
INSTALLATION	Recessed in ground with housing box, recessed in brickwork with housing box
MATERIAL	Anticorodal aluminum body, AISI 316L stainless steel trim, sandblasted PMMA diffuser



GENERAL FEATURES

OPERATING TEMPERATURE	-10°C +45°C
INGRESS PROTECTION	IP67
IMPACT RESISTANCE	IK10
GLOW WIRE TEST	960°C
CLASS	II



ORDERING INFO

Model (Order Code)	Structure Finish	Optic Options	Accessories	LED	Remote Driver
<input type="radio"/> FENICCE RGB 6.5W	<input type="radio"/> S: AISI 316L Stainless Steel Marine Grade	<input type="radio"/> C: Circular	<input type="radio"/> CAE60: Housing Box	<input type="radio"/> RGB	<input type="radio"/> 120V LTE <input type="radio"/> 120-277V 0-10V

SPECIFICATION SHEET




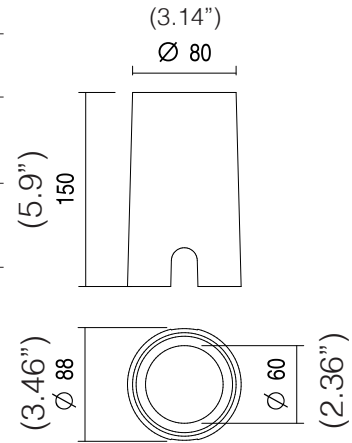
FENICCE™ RGB

RECESSED - ACCESSORIE

TYPE:

PROJECT NAME:

CODE	CAE60
TYPOLOGY	Housing box  kg 0,28
MATERIAL	Polyethylene



SPECIFICATION SHEET