

GIUNOME™ L

RECESSED

TYPE:

PROJECT NAME:

LIGHTING FEATURES

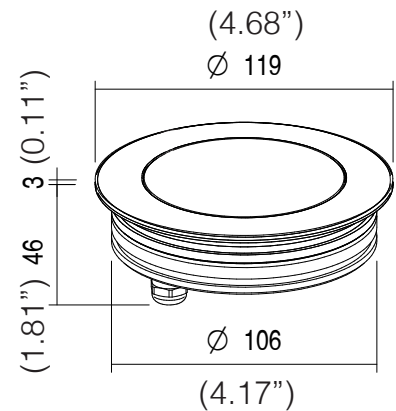
LED COLOUR	2200K, 2700K, 3000K, 4000K
CRI	>80 (2200K, 2700K, 3000K, 4000K)
OPTICS	Diffused
3000K REAL OUTPUT FLUX	9W 565lm
AVERAGE LED LIFE	50.000h L80 B10

MECHANICAL FEATURES

WEIGHT	Kg 0,76
FINISHES	Anodized aluminum, Steel
INSTALLATION	Recessed in ground with housing box, recessed in plasterboard or wood with spring, recessed in brickwork with housing box
MATERIAL	Anticorodal anodized aluminum body, anodized or AISI 316L stainless steel trim, sandblasted glass

GENERAL FEATURES

OPERATING TEMPERATURE	-10°C +45°C
INGRESS PROTECTION	IP67
IMPACT RESISTANCE	IK08
GLOW WIRE TEST	960°C
CLASS	II



ORDERING INFO

Model (Order Code)	Structure Finish	Optic Options	Accessories	LED	Remote Driver
<input type="radio"/> GIUNOME L 9W	<input type="radio"/> A: Anodized Aluminum <input type="radio"/> S: AISI 316L Stainless Steel Marine Grade	<input type="radio"/> D: Diffused	<input type="radio"/> ML060: Torsion Spring <input type="radio"/> CA107: Housing Box	<input type="radio"/> 22: 2200K <input type="radio"/> 27: 2700K <input type="radio"/> 30: 3000K <input type="radio"/> 40: 4000K	<input type="radio"/> 120V LTE <input type="radio"/> 120-277V 0-10V

SPECIFICATION SHEET




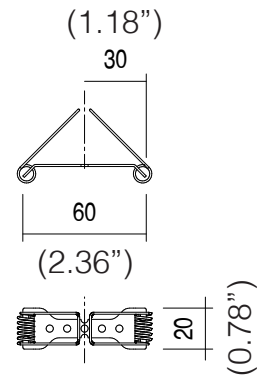
GIUNOME™ L


RECESSED - ACCESSORIE

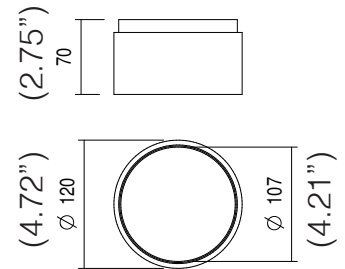
TYPE:

PROJECT NAME:

CODE	ML060
TIPOLOGY	<i>Torsion spring</i>  kg 0,01
MATERIAL	<i>Stainless steel</i>



CODE	CA107
TIPOLOGY	<i>Housing box</i>  kg 0,08
MATERIAL	<i>Polipropilene</i>



SPECIFICATION SHEET