

LIO™

CEILING / WALL

TYPE:

PROJECT NAME:



SPECIFICATION SHEET

Luminart®

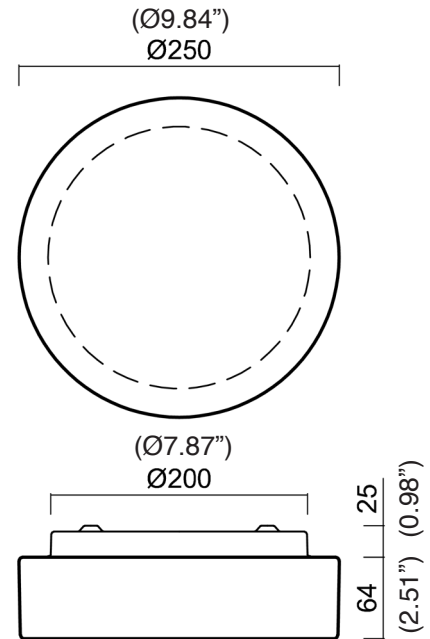
WWW.LUMINARTLIGHTING.COM
Last updated: 08/01/24

LIO™ 250

CEILING / WALL

TYPE:

PROJECT NAME:



Cylindrical ceiling or wall light with shade diameter Ø250 mm (9.84"). Product consists of powder-coated metal base and handmade three-layer opal glass shade TRIPLEX OPAL with matt surface. Shade is fixed by bayonet system. Suitable for indoor and outdoor use.

Power input: 7W / 10W

Mounting: Ceiling / Wall

Shade: Three-layer glass TRIPLEX OPAL

Electrical: High efficiency electronic power supply, rated 50,000 hours 120V-277V

Dimming: Power supply compatible with 0-10V or leading (TRIAC) (120V only).

Finish: White Ral 9003

Base material: steel

Source: LED module
3000K
4000K
IP: 44

Input [W]	Lum. flux of light source [lm]		Lum. flux of luminaire [lm]	
	3000K	4000K	3000K	4000K
7	1000	1040	700	730
10	1350	1410	950	990

SPECIFICATION SHEET

ORDERING INFO

Model (Order Code)	Structure Finish	LED	Driver Options
<input type="radio"/> L74LIO1 7W	<input type="radio"/> W: White Ral 9003	<input type="radio"/> 3000K	<input type="radio"/> 120V LTE
<input type="radio"/> L74LIO1 10W		<input type="radio"/> 4000K	<input type="radio"/> 120-277V 0-10V



LIO™ 300

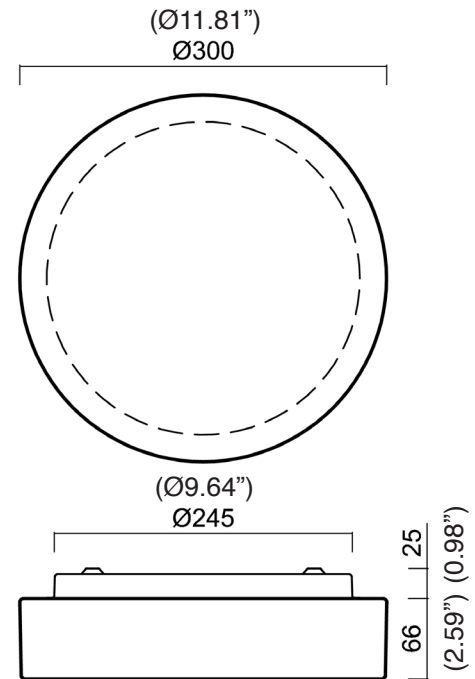
CEILING / WALL

TYPE:

PROJECT NAME:



Cylindrical ceiling or wall light with shade diameter Ø300 mm (11.81"). Product consists of powder-coated metal base and handmade three-layer opal glass shade TRIPLEX OPAL with matt surface. Shade is fixed by bayonet system. Suitable for indoor and outdoor use.



Power input: 9W / 13W

Mounting: Ceiling / Wall

Shade: Three-layer glass TRIPLEX OPAL

Electrical: High efficiency electronic power supply, rated 50,000 hours 120V-277V

Dimming: Power supply compatible with 0-10V or leading (TRIAC) (120V only).

Finish: White Ral 9003

Base material: steel

Source: LED module
3000K
4000K
IP: 44

Input [W]	Lum. flux of light source [lm]		Lum. flux of luminaire [lm]	
	3000K	4000K	3000K	4000K
9	1420	1480	1040	1080
13	2000	2080	1460	1520

SPECIFICATION SHEET

ORDERING INFO

Model (Order Code)	Structure Finish	LED	Driver Options
<input type="radio"/> L74LIO2 9W	<input type="radio"/> W: White Ral 9003	<input type="radio"/> 3000K	<input type="radio"/> 120V LTE
<input type="radio"/> L74LIO2 13W		<input type="radio"/> 4000K	<input type="radio"/> 120-277V 0-10V

