

# MISSY-G™

CEILING

TYPE:

PROJECT NAME:



## MISSY

CEILING

*Ceiling lamp identified by a conic shape, Missy is made from epoxy polyester powder coated aluminium. Complete with a Chip On Board technology high efficiency LED light source, it is available in small and large size and in five versions. No driver is needed for the 13W and the 25W models, which do not have a reflector, while the 12W, 17W and 33W versions are furnished with a 50° reflector and driver. 16° and 20° reflectors available on request. Its degree of protection against the penetration of dust, solid objects and liquids is IP40.*

SPECIFICATION SHEET

**Luminart®**

WWW.LUMINARTLIGHTING.COM

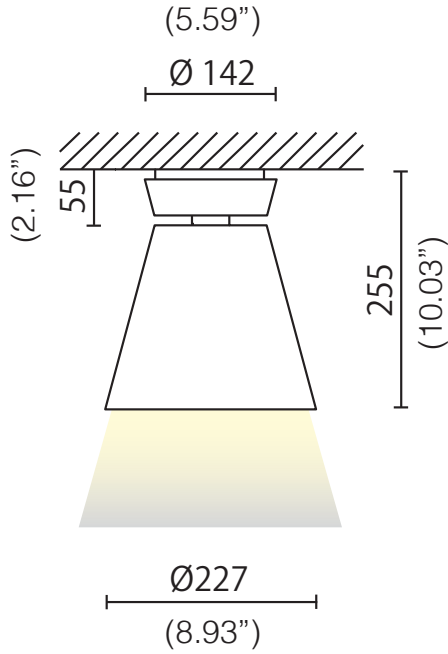
Last updated: 08/23/24

# MISSY-G™

CEILING

TYPE:

PROJECT NAME:



see table



2700K / 3000K / 4000K



40



93



A++




1



Black



White

CODICE	W	Lm (3000K)	
L25A4-646.35...	33	3750	50° (20° on request)

## ORDERING INFO

L25A4-646.35...		-	-	-	-
Model (Order Code)	Structure Finish	Optic Options	LED	Dimming Options	
<input type="radio"/> L25A4-646.35... 33W	<input type="radio"/> 01: Black <input type="radio"/> 02: White	<input type="radio"/> 50: 50° <input type="radio"/> 20: 20°	<input type="radio"/> 27: 2700K <input type="radio"/> 30: 3000K <input type="radio"/> 40: 4000K	<input type="radio"/> 120V LTE <input type="radio"/> 120-277V 0-10V	

SPECIFICATION SHEET

