

SHINY™50

RECESSED MONOPOINT

TYPE:

PROJECT NAME:



SHINY

Simple and elegant spotlight adjustable on both axes, equipped with a Chip On Board technology high efficiency LED light source, Shiny is made from powder coated or anodized finish extruded aluminum. Furnished with a 34° reflector, clear diffuser, driver and black ring, it is available in three sizes and with different modes of installation (three phase track, wall/ceiling and recessed). The degree of protection against the penetration of dust, solid objects and liquids is IP40.

SPECIFICATION SHEET

Luminart®

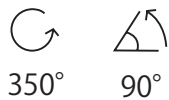
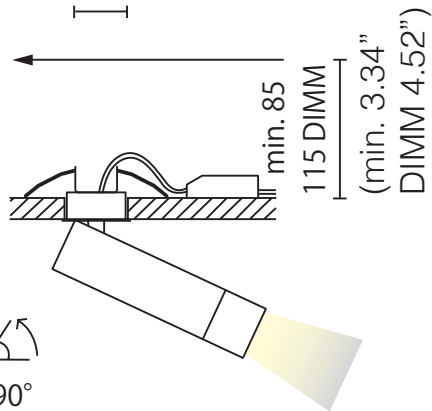
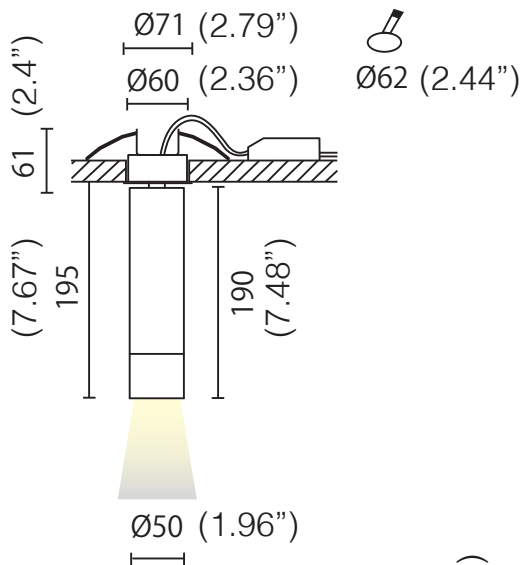
WWW.LUMINARTLIGHTING.COM
Last updated: 08/29/24

SHINY™50

RECESSED MONOPOINT

TYPE:

PROJECT NAME:



Ceiling Cup

- 06 black
- 08 white
- 33 rose gold
- 34 steel



Housing Finish:
White, black, gold

Inside Finish:
White, black, gold

- 06 Black
- 08 White
- 13 Gold



34° / 20°



SDCM 3



2700K / 3000K / 4000K



EEI A+



40



RG 1



93

CODICE	W	Lm (3000K)	Lifetime
L25A5-640.18...	18	2100	50.000h L80/B10

ORDERING INFO

L25A5-640.18...

Model (Order Code)	Housing Finish	Inside Finish	Ceiling Cup Finish	Optic Options	LED	Remote Driver
<input type="radio"/> L25A5-640.18... 18W	<input type="radio"/> 08: White <input type="radio"/> 06: Black <input type="radio"/> 13: Gold	<input type="radio"/> 08: White <input type="radio"/> 06: Black <input type="radio"/> 13: Gold	<input type="radio"/> 08: White <input type="radio"/> 06: Black <input type="radio"/> 33: Rose Gold <input type="radio"/> 34: Steel	<input type="radio"/> 34: 34° <input type="radio"/> 20: 20°	<input type="radio"/> 27: 2700K <input type="radio"/> 30: 3000K <input type="radio"/> 40: 4000K	<input type="radio"/> 120V LTE <input type="radio"/> 120-277V 0-10V

SPECIFICATION SHEET

