

DOT™
CEILING

TYPE:

PROJECT NAME:



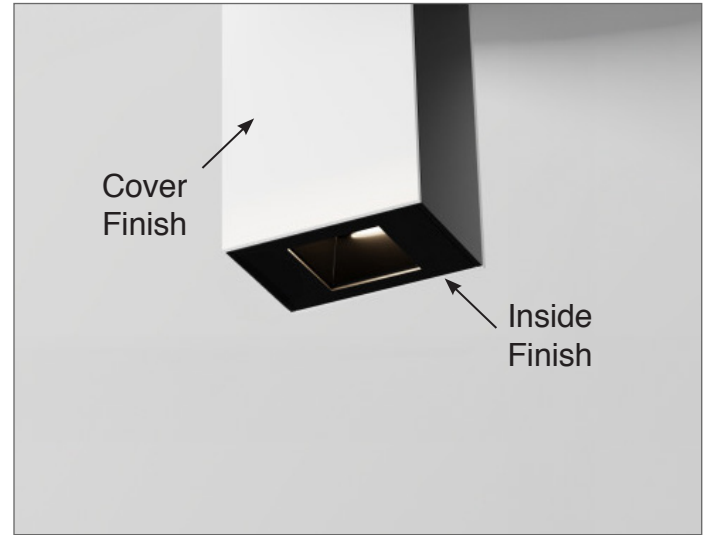
SPECIFICATION SHEET

DOT™ SINGLE

CEILING

TYPE:

PROJECT NAME:



Dot is a modern lighting solution that combines style and functionality. With invisible mounting screws, it looks elegant and neat. Easy installation makes using it a pure pleasure. Dot is the harmony of design and efficiency in every detail.

Color rendering: CRI 90

Installation: Surface mounted

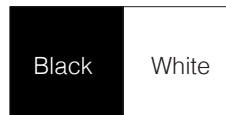
Materials: Aluminum

Ingress protection: IP20

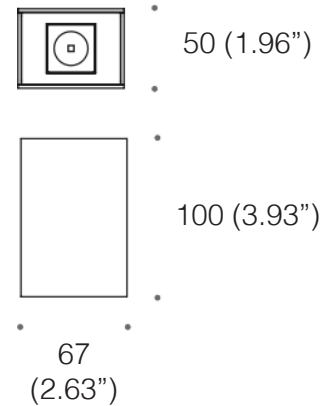
Electrical: High efficiency electronic power supply, rated 50,000 hours 120V-277V

Finish options:

Black, White



Input [W]		6W
Lum. flux of light source [lm]	Spot 22°	385 lm
	Wide 44°	302 lm
	Oval 41° + 20°	349 lm



SPECIFICATION SHEET

ORDERING INFO

L543.2077

Model (Order Code)	Cover Finish	Inside Finish	Optic Options	LED	Installation Type	Dimming Options
<input type="radio"/> L543.2077 6W	<input type="radio"/> B: Black <input type="radio"/> W: White	<input type="radio"/> B: Black <input type="radio"/> W: White	<input type="radio"/> 22: Spot 22° <input type="radio"/> 44: Wide 44° <input type="radio"/> 4120: Oval 41° + 20°	<input type="radio"/> 27: 2700K <input type="radio"/> 30: 3000K <input type="radio"/> 40: 4000K	<input type="radio"/> Remote driver no blackplate <input type="radio"/> Integral driver with 4.5" square backplate	<input type="radio"/> 120V LTE <input type="radio"/> 120V-277V 0-10V

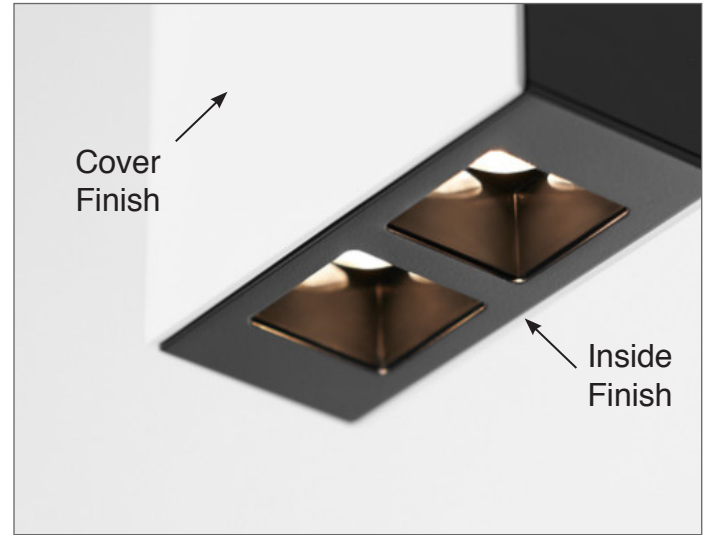


DOT™ DOUBLE

CEILING

TYPE:

PROJECT NAME:



Dot is a modern lighting solution that combines style and functionality. With invisible mounting screws, it looks elegant and neat. Easy installation makes using it a pure pleasure. Dot is the harmony of design and efficiency in every detail.

Color rendering: CRI 90

Installation: Surface mounted

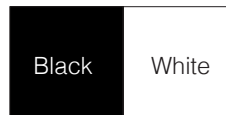
Materials: Aluminum

Ingress protection: IP20

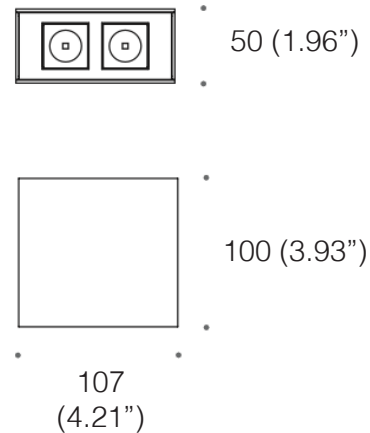
Electrical: High efficiency electronic power supply, rated 50,000 hours 120V-277V

Finish options:

Black, White



Input [W]		11W
Lum. flux of light source [lm]	Spot 22°	770 lm
	Wide 44°	604 lm
	Oval 41° + 20°	698 lm



SPECIFICATION SHEET

ORDERING INFO

L543.2079

Model (Order Code)	Cover Finish	Inside Finish	Optic Options	LED	Installation Type	Dimming Options
<input type="radio"/> L543.2079 11W	<input type="radio"/> B: Black <input type="radio"/> W: White	<input type="radio"/> B: Black <input type="radio"/> W: White	<input type="radio"/> 22: Spot 22° <input type="radio"/> 44: Wide 44° <input type="radio"/> 4120: Oval 41° + 20°	<input type="radio"/> 27: 2700K <input type="radio"/> 30: 3000K <input type="radio"/> 40: 4000K	<input type="radio"/> Remote driver no blackplate <input type="radio"/> Integral driver with 4.5" square backplate	<input type="radio"/> 120V LTE <input type="radio"/> 120V-277V 0-10V

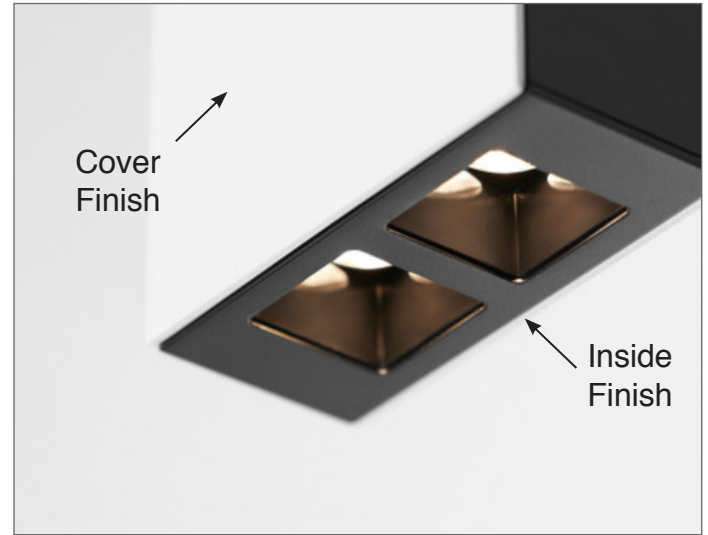


DOT™ TRIPLE

CEILING

TYPE:

PROJECT NAME:



Dot is a modern lighting solution that combines style and functionality. With invisible mounting screws, it looks elegant and neat. Easy installation makes using it a pure pleasure. Dot is the harmony of design and efficiency in every detail.

Color rendering: CRI 90

Installation: Surface mounted

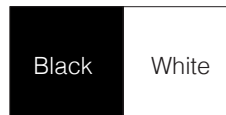
Materials: Aluminum

Ingress protection: IP20

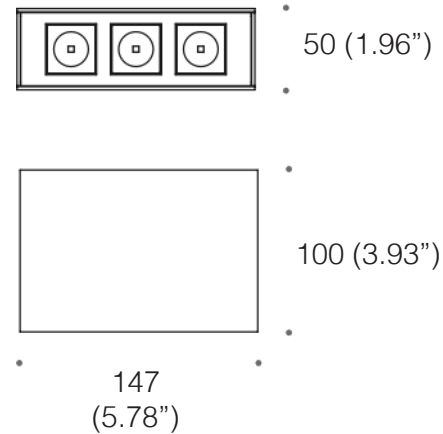
Electrical: High efficiency electronic power supply, rated 50,000 hours 120V-277V

Finish options:

Black, White



Input [W]		17W
Lum. flux of light source [lm]	Spot 22°	1155 lm
	Wide 44°	906 lm
	Oval 41° + 20°	1047 lm



SPECIFICATION SHEET

ORDERING INFO

L543.2081

Model (Order Code)	Cover Finish	Inside Finish	Optic Options	LED	Installation Type	Dimming Options
<input type="radio"/> L543.2081 17W	<input type="radio"/> B: Black <input type="radio"/> W: White	<input type="radio"/> B: Black <input type="radio"/> W: White	<input type="radio"/> 22: Spot 22° <input type="radio"/> 44: Wide 44° <input type="radio"/> 4120: Oval 41° + 20°	<input type="radio"/> 27: 2700K <input type="radio"/> 30: 3000K <input type="radio"/> 40: 4000K	<input type="radio"/> Remote driver no blackplate <input type="radio"/> Integral driver with 4.5" square backplate	<input type="radio"/> 120V LTE <input type="radio"/> 120V-277V 0-10V

