

TIRESIA™ S

RECESSED

TYPE:

PROJECT NAME:

LIGHTING FEATURES

LED COLOUR	2200K, 2700K, 3000K, 4000K, Red, Green, Blue
CRI	>80 (2200K, 2700K, 3000K, 4000K)
OPTICS	Diffused
3000K REAL OUTPUT FLUX	2,2W 34lm
AVERAGE LED LIFE	50.000h L80 B10

MECHANICAL FEATURES

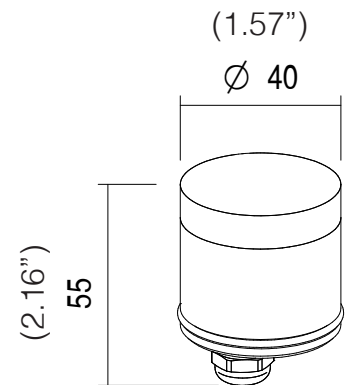
WEIGHT	Kg 0,16
FINISHES	Glass

INSTALLATION *Recessed in ground with housing box ,
recessed in brickwork with housing box*

MATERIAL *Anticorodal aluminum body, tempered sandblasted glass*

GENERAL FEATURES

OPERATING TEMPERATURE	-10°C +45°C
INGRESS PROTECTION	IP67
IMPACT RESISTANCE	IK10
GLOW WIRE TEST	960°C
CLASS	II



ORDERING INFO

Model (Order Code)	Accessories	LED	Remote Driver
<input type="radio"/> L01TIR11 2.2W	<input type="radio"/> CAR41: Housing Box	<input type="radio"/> 22: 2200K <input type="radio"/> 27: 2700K <input type="radio"/> 30: 3000K <input type="radio"/> 40: 4000K <input type="radio"/> R: Red <input type="radio"/> G: Green <input type="radio"/> B: Blue	<input type="radio"/> 120V LTE <input type="radio"/> 120-277V 0-10V

SPECIFICATION SHEET




TIRESIA™ S

RECESSED - ACCESSORIES

TYPE:

PROJECT NAME:

CODE	CAR41
TPOLOGY	Housing box  kg 0,6
MATERIAL	PVC, Dima in PLA

