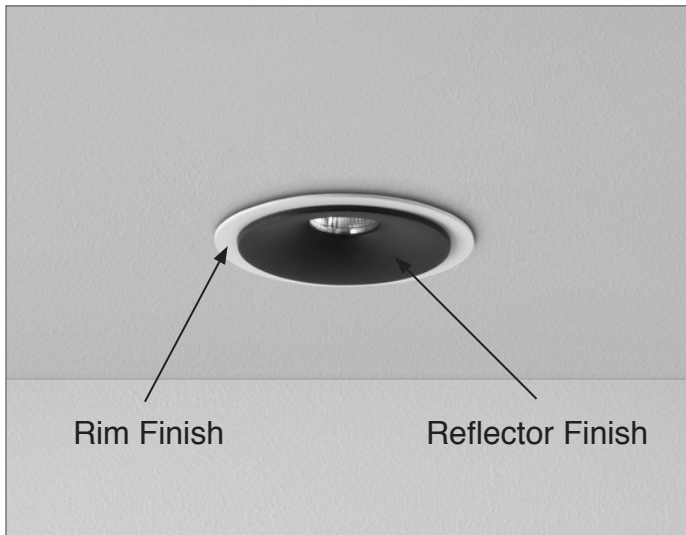


ACE™ 100 SINGLE

RECESSED

TYPE:

PROJECT NAME:



The Ace will satisfy all those who are looking for unusual, modern solutions. The colour contrast further enhances the original shape of the lamp. It is the form inspired by speakers that distinguishes Speaker from other models. The lamp also impresses with its functionality.

Light Source: 10W LED

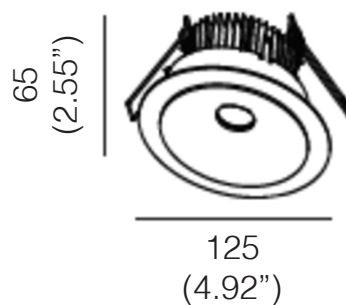
Electrical: High efficiency electronic power supply, rated 50,000 hours 120V-277V

Finish options:

White, Black



Input [W]	10W
Lum. flux of light source [lm]	900 lm



SPECIFICATION SHEET

ORDERING INFO

L59R00400					
Model (Order Code)	Reflector Finish	Rim Finish	Optic Options	LED	Dimming Options
<input type="radio"/> L59R00400 10W	<input type="radio"/> 01: White <input type="radio"/> 02: Black	<input type="radio"/> 01: White <input type="radio"/> 02: Black	<input type="radio"/> 20: 20° <input type="radio"/> 36: 36° <input type="radio"/> 60: 60°	<input type="radio"/> 27: 2700K <input type="radio"/> 30: 3000K <input type="radio"/> 40: 4000K	<input type="radio"/> 120V LTE <input type="radio"/> 120V-277V 0-10V

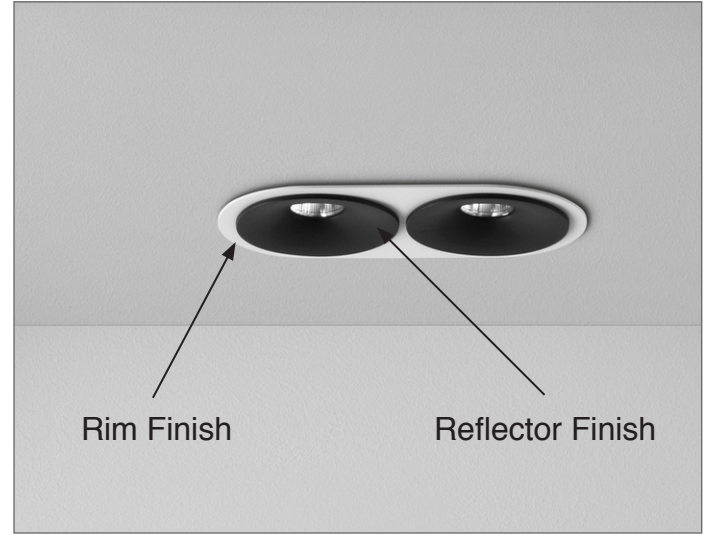


ACE™ 100 DOUBLE

RECESSED

TYPE:

PROJECT NAME:



The Ace will satisfy all those who are looking for unusual, modern solutions. The colour contrast further enhances the original shape of the lamp. It is the form inspired by speakers that distinguishes Speaker from other models. The lamp also impresses with its functionality.

Light Source: 19W LED

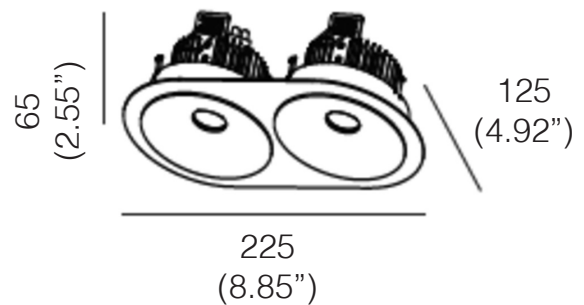
Electrical: High efficiency electronic power supply, rated 50,000 hours 120V-277V

Finish options:

White, Black



Input [W]	19W
Lum. flux of light source [lm]	1810 lm



SPECIFICATION SHEET

ORDERING INFO

L59R00410					
Model (Order Code)	Reflector Finish	Rim Finish	Optic Options	LED	Dimming Options
<input type="radio"/> L59R00410 19W	<input type="radio"/> 01: White <input type="radio"/> 02: Black	<input type="radio"/> 01: White <input type="radio"/> 02: Black	<input type="radio"/> 20: 20° <input type="radio"/> 36: 36° <input type="radio"/> 60: 60°	<input type="radio"/> 27: 2700K <input type="radio"/> 30: 3000K <input type="radio"/> 40: 4000K	<input type="radio"/> 120V LTE <input type="radio"/> 120V-277V 0-10V

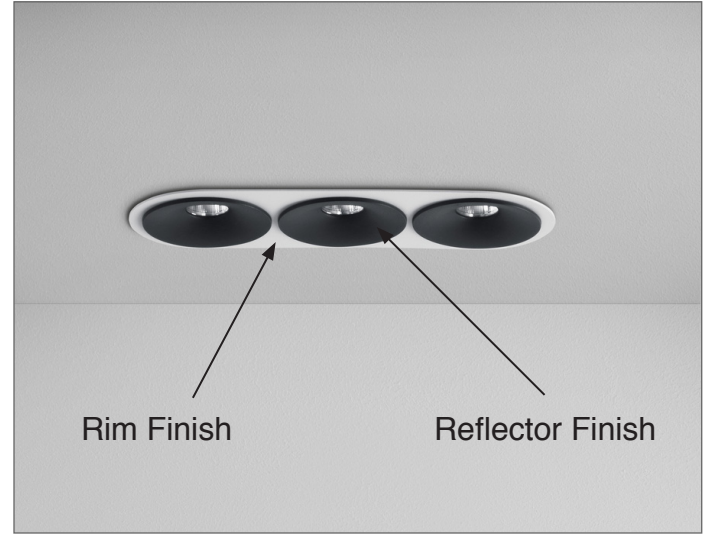


ACE™ 100 TRIPLE

RECESSED

TYPE:

PROJECT NAME:



The Ace will satisfy all those who are looking for unusual, modern solutions. The colour contrast further enhances the original shape of the lamp. It is the form inspired by speakers that distinguishes Speaker from other models. The lamp also impresses with its functionality.

Light Source: 28W LED

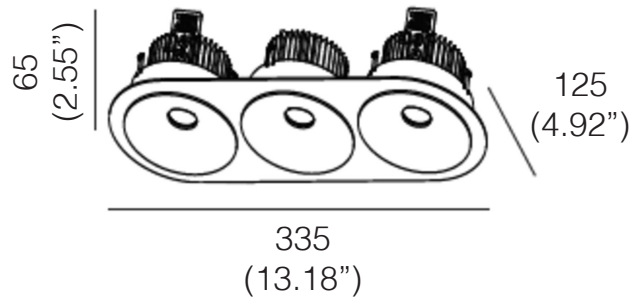
Electrical: High efficiency electronic power supply, rated 50,000 hours 120V-277V

Finish options:

White, Black



Input [W]	28W
Lum. flux of light source [lm]	2710 lm



SPECIFICATION SHEET

ORDERING INFO

L59R00420

Model (Order Code)	Reflector Finish	Rim Finish	Optic Options	LED	Dimming Options
<input type="radio"/> L59R00420 28W	<input type="radio"/> 01: White <input type="radio"/> 02: Black	<input type="radio"/> 01: White <input type="radio"/> 02: Black	<input type="radio"/> 20: 20° <input type="radio"/> 36: 36° <input type="radio"/> 60: 60°	<input type="radio"/> 27: 2700K <input type="radio"/> 30: 3000K <input type="radio"/> 40: 4000K	<input type="radio"/> 120V LTE <input type="radio"/> 120V-277V 0-10V

