

MISSY™

SUSPENSION

TYPE:

PROJECT NAME:



MISSY-P

MISSY-G

MISSY

SUSPENSION

Hanging lamp made from epoxy polyester powder coated aluminium, Missy has a distinguished design. A strategic cut on its surface creates an interesting interaction of light and shade, giving airiness to the lamp structure. Complete with a Chip On Board technology high efficiency LED light source, it is available in small and large size and in five different wattages. No driver is needed for the 13W and the 25W models, which do not have a reflector, while the 12W, 17W and 33W versions are furnished with a 50° reflector and driver. 16° and 20° reflectors available on request. Missy Grande can be demanded also in the double emission version without driver. Its degree of protection against the penetration of dust, solid objects and liquids is IP40.

SPECIFICATION SHEET

Luminart®

WWW.LUMINARTLIGHTING.COM

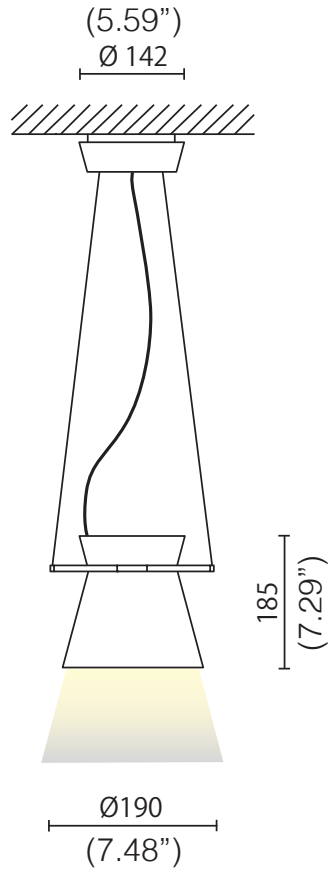
Last updated: 08/23/24


MISSY-P™

SUSPENSION

TYPE:

PROJECT NAME:



CODICE	W	Lm (3000K)	
L25A8-641.15...	12	1615	50° (16° on request)
L25A8-641.20...	17	2240	50° (16° on request)



see table



2700K / 3000K / 4000K



40



93



A++



1



Black



White

ORDERING INFO

Model (Order Code)	Structure Finish	Optic Options	LED	Dimming Options
<input type="radio"/> L25A8-641.15... 12W	<input type="radio"/> 01: Black	<input type="radio"/> 50: 50°	<input type="radio"/> 27: 2700K	<input type="radio"/> 120V LTE
<input type="radio"/> L25A8-641.20... 17W	<input type="radio"/> 02: White	<input type="radio"/> 16: 16°	<input type="radio"/> 30: 3000K	<input type="radio"/> 120-277V 0-10V
			<input type="radio"/> 40: 4000K	

SPECIFICATION SHEET

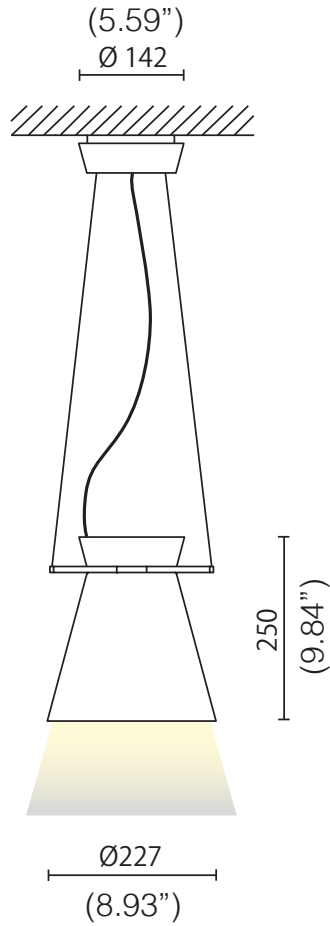


MISSY-G™

SUSPENSION

TYPE:

PROJECT NAME:



CODICE	W	Lm (3000K)	
L25A8-646.35...	33	3750	50° (20° on request)



see table



2700K / 3000K / 4000K



40



93



A++



1



Black



White

SPECIFICATION SHEET

ORDERING INFO

Model (Order Code)	Structure Finish	Optic Options	LED	Dimming Options
L25A8-646.35... 33W	<input type="radio"/> 01: Black <input type="radio"/> 02: White	<input type="radio"/> 50: 50° <input type="radio"/> 20: 20°	<input type="radio"/> 27: 2700K <input type="radio"/> 30: 3000K <input type="radio"/> 40: 4000K	<input type="radio"/> 120V LTE <input type="radio"/> 120-277V 0-10V

