

VIC C1S™

SUSPENSION

TYPE:

PROJECT NAME:



VIS C1S - 4.5 cm (1.77'')



VIS C1S - 6 cm (2.36'')
VIS C1S - 12 cm (4.72'')

SPECIFICATION SHEET

VIC C1S™

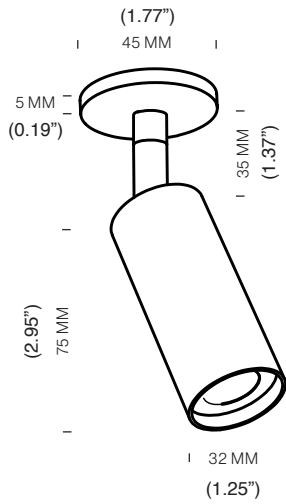
SUSPENSION

TYPE:

PROJECT NAME:

VIC C1S - 4.5CM

(REMOTE DRIVER)



Cut Hole Size: Ø40 MM (1.57")

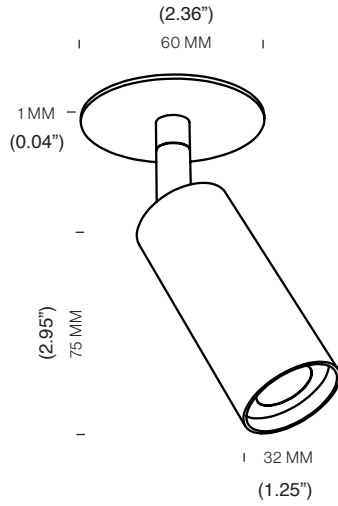
LAMP TYPE	LED
COLOUR TEMP.	2700K
WATTAGE	4W
REMOTE DRIVER	350mA
LUMEN	400
CLASS	2

ORDER CODE

BLACK	L30T107S20DZL
BRUSHED BRASS	L30T107S20DLB
BRONZE	L30T107S20DOE
WHITE	L30T107S20DWL

VIC C1S - 6CM

(REMOTE DRIVER)



Cut Hole Size: Ø50 MM (1.96")

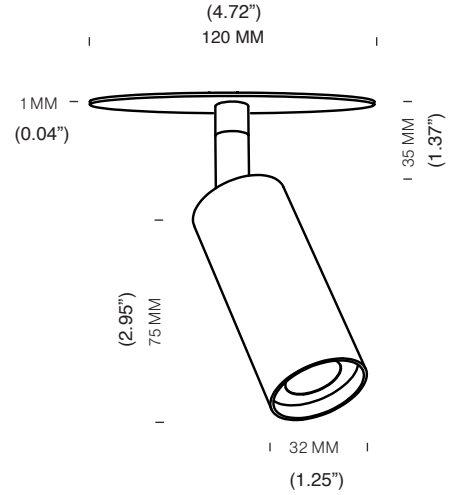
LAMP TYPE	LED
COLOUR TEMP.	2700K
WATTAGE	4W
REMOTE DRIVER	350mA
LUMEN	400
CLASS	2

ORDER CODE

BLACK	L30T107S28DZL
BRUSHED BRASS	L30T107S28DLB
BRONZE	L30T107S28DOE
WHITE	L30T107S28DWL

VIC C1S - 12CM

(INTEGRAL DRIVER)



Mounts to a standard junction box

LAMP TYPE	LED
COLOUR TEMP.	2700K
WATTAGE	4W
INTEGRAL DRIVER	350mA
LUMEN	400
CLASS	2

ORDER CODE

BLACK	L30T107S13DZL
BRUSHED BRASS	L30T107S13DLB
BRONZE	L30T107S13DOE
WHITE	L30T107S13DWL

SPECIFICATION SHEET

ORDERING INFO

Model (Order Code)

Optic Options

Remote Driver Options

- 01: 10°
- 02: 45°

- 120V LTE
- 120-277V 0-10V

