

# BAGLIORI™ 75 X 75

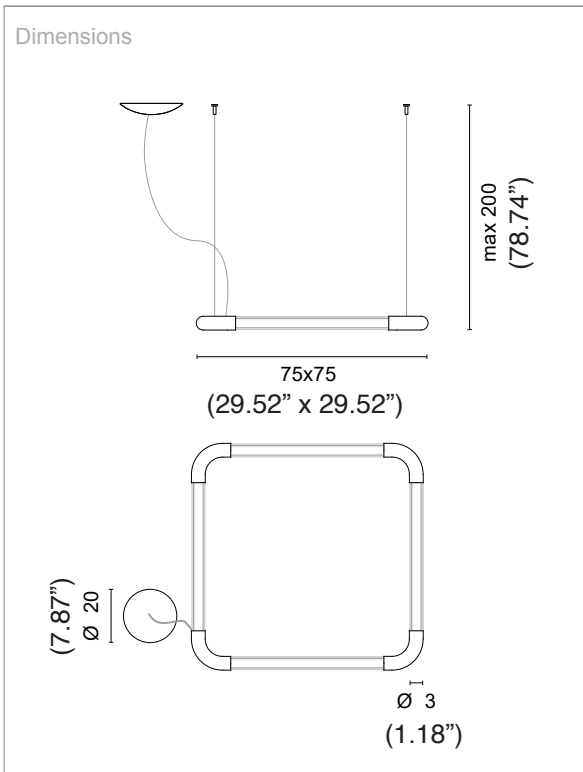
SUSPENSION

TYPE:

PROJECT NAME:



materials:	stainless steel structure, transparent methacrylate diffuser
light:	diffuse
light sources:	LED code <b>/WW</b> LED 55W 4170lm 3000K
life:	> 50.000 h
step MacAdam:	3
Color Rendering Index:	>90
IP grade:	20
net weight:	4,00 Kg
finishes:	.02 black
symbols:	



SPECIFICATION SHEET

## ORDERING INFO

L671668	-	02	-	WW	-
Model (Order Code)		Structure Finishes		LED	Driver Options
<input type="radio"/> L671668 55W		<input type="radio"/> 02: Black		<input type="radio"/> WW: 3000K	<input type="radio"/> 120V LTE <input type="radio"/> 120V-277V 0-10V








# BAGLIORI™ 50 X 100

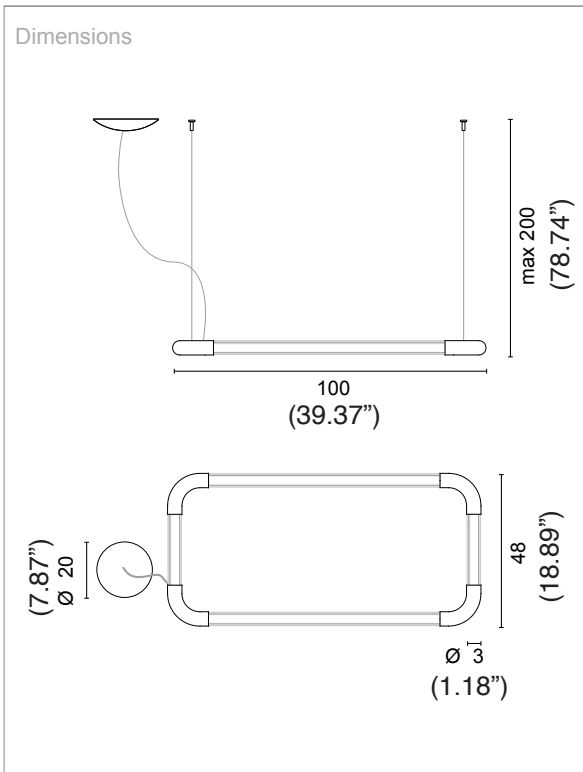
SUSPENSION

TYPE:

PROJECT NAME:



materials:	stainless steel structure, transparent methacrylate diffuser
light:	diffuse
light sources:	LED code <b>/WW</b> LED 55W 4170lm 3000K
life:	> 50.000 h
step MacAdam:	3
Color Rendering Index:	>90
IP grade:	20
net weight:	4,00 Kg
finishes:	.02 black
symbols:	    



SPECIFICATION SHEET

## ORDERING INFO

L671669	-	02	-	WW	-
Model (Order Code)		Structure Finishes		LED	Driver Options
<input type="radio"/> L671669 55W		<input type="radio"/> 02: Black		<input type="radio"/> WW: 3000K	<input type="radio"/> 120V LTE <input type="radio"/> 120V-277V 0-10V

