

# CHARME™ 60

CEILING

TYPE:

PROJECT NAME:



materials:

aluminum structure, opal polycarbonate diffuser, lampshade in plissé silk pongee

light:

LED diffuse

light sources:

/W - LED 27W 3390lm 4000K CRI>90  
/WW - LED 27W 3030lm 3000K CRI>90  
/XW - LED 27W 2835lm 2700K CRI>90

IP grade:

40

net weight:

1,80 Kg

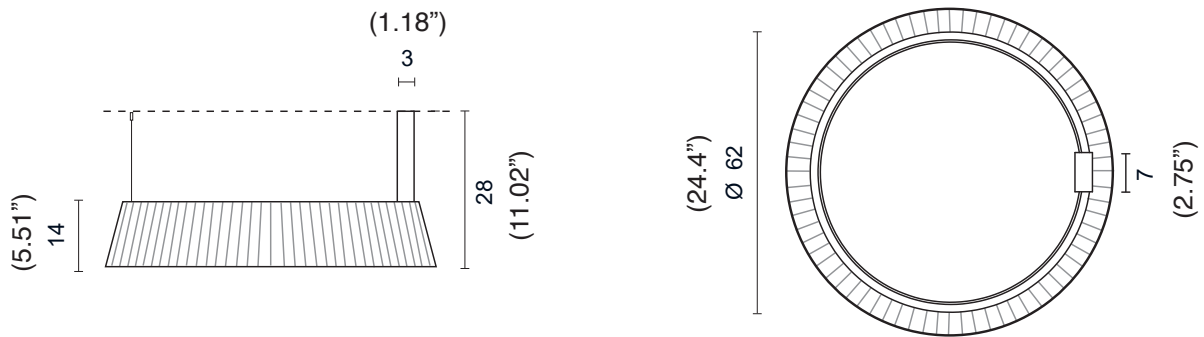
finishes:

.01 white

symbols:



## Dimensions



SPECIFICATION SHEET

## ORDERING INFO

L675610

01

Model (Order Code)

Structure Finishes

LED

Driver Options

L675610 27W

01: White

XW: 2700K

WW: 3000K

W: 4000K

120V LTE

120V-277V 0-10V



**Luminart®**

WWW.LUMINARTLIGHTING.COM

Last updated: 01/15/25

# CHARME™ 60

CEILING

TYPE:

PROJECT NAME:



materials:

aluminum structure, opal polycarbonate diffuser, lampshade in plissé silk pongee

light:

LED diffuse

light sources:

/W - LED 37,8W 4746lm 4000K CRI>90  
/WW - LED 37,8W 4242lm 3000K CRI>90  
/XW - LED 37,8W 3969lm 2700K CRI>90

IP grade:

40

net weight:

1,80 Kg

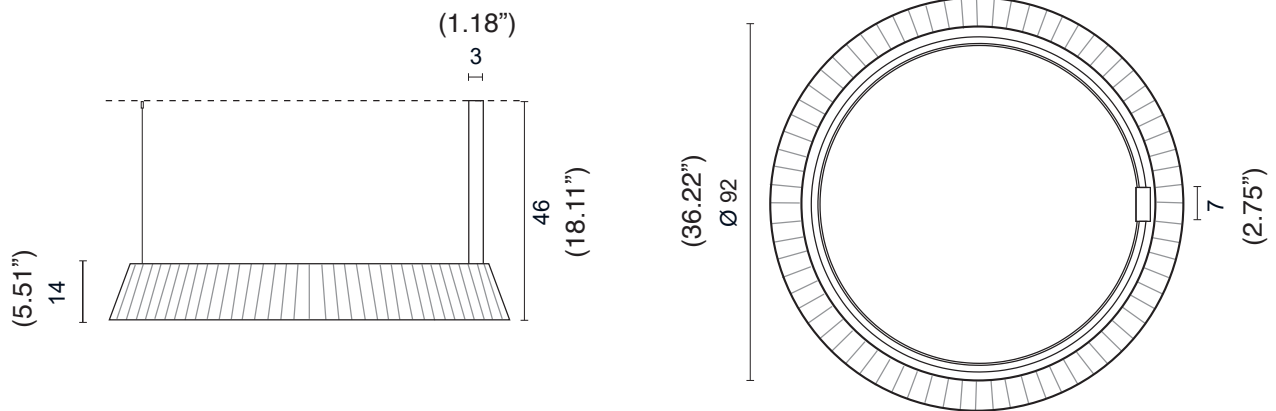
finishes:

.01 white

symbols:



## Dimensions



SPECIFICATION SHEET

## ORDERING INFO

L675611

01

Model (Order Code)

Structure Finishes

LED

Driver Options

L675611 38W

01: White

XW: 2700K

WW: 3000K

W: 4000K

120V LTE

120V-277V 0-10V



**Luminart®**

WWW.LUMINARTLIGHTING.COM

Last updated: 01/15/25