

# FUSION™

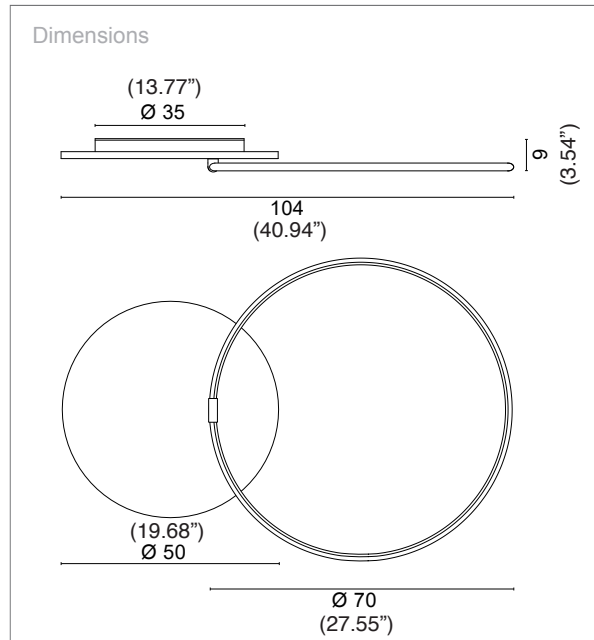
CEILING / WALL

TYPE:

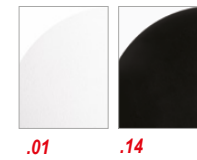
PROJECT NAME:



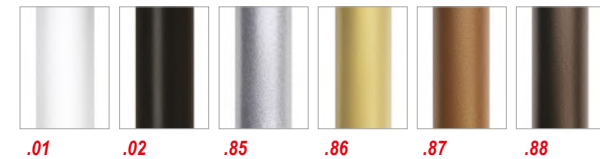
materials:	MDF disc - aluminum ring with opal polycarbonate diffuser	
light:	radial/diffuse	
light sources:	LED code	LED color
	<b>/W</b> LED 24V 52,8W 6586lm 4000K	
	<b>/WW</b> LED 24V 52,8W 5892lm 3000K	
	<b>/XW</b> LED 24V 52,8W 5529lm 2700K	
life	> 50.000 h	
step MacAdam	3	
Color Rendering x:	>90	
IP grade:	40	
net weight:	3,70 Kg	
finishes disc:	.01 white .14 blackboard	
finishes ring:	.01 white .02 black .85 painted gold .86 painted silver .87 painted copper .88 painted bronze	
symbols:	IP40	



Disc finishes codes



Ring finishes codes



SPECIFICATION SHEET

**ORDERING INFO**

L674340	-	-	-	-
Model (Order Code)	Disc Finishes	Ring Finishes	LED	Driver Options
<input type="radio"/> L674340 53W	<input type="radio"/> 01: White <input type="radio"/> 02: Black	<input type="radio"/> 01: White <input type="radio"/> 02: Black <input type="radio"/> 85: Painted Gold <input type="radio"/> 86: Painted Silver <input type="radio"/> 87: Painted Copper <input type="radio"/> 88: Painted Bronze	<input type="radio"/> XW: 2700K <input type="radio"/> WW: 3000K <input type="radio"/> W: 4000K	<input type="radio"/> 120V LTE <input type="radio"/> 120V-277V 0-10V

