

**NELLY™**

WALL

**TYPE:**

**PROJECT NAME:**



SPECIFICATION SHEET

**Luminart®**

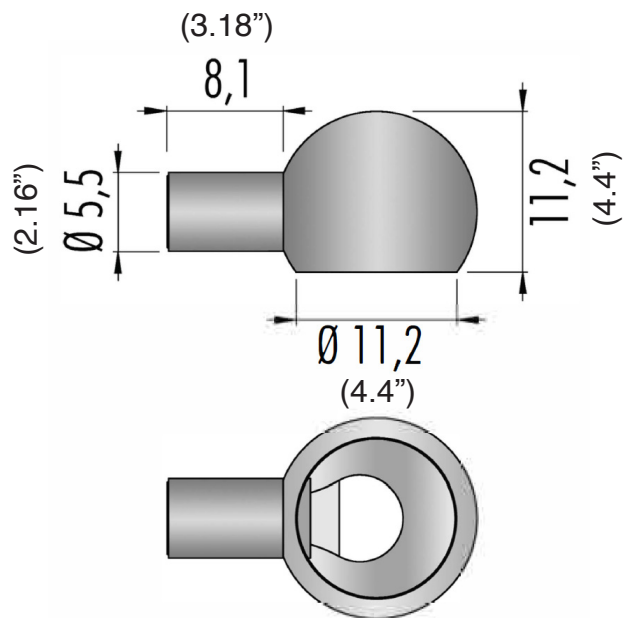
WWW.LUMINARTLIGHTING.COM  
Last updated: 01/15/25

# NELLY™

WALL

TYPE:

PROJECT NAME:



**Installation Note:**

Fixture is installed to a Ø4" backplate or a mud plate reducing ring without backplate to cover Junction Box.

Color rendering: CRI >80

Optic: 40°

Ingress protection: IP20

Light Source: E26

**Finish options:**



KC Black/Copper



WC White/Copper



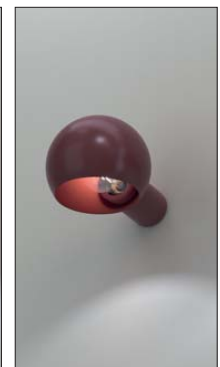
BC Blue/Copper



GC Green/Copper



PC Rose/Copper



RC Red/Copper

Input [W] 4W

Lum. flux of light source [lm] 2700K 470 lm

SPECIFICATION SHEET

**ORDERING INFO**

L173N01.12L	-	-	27	-
Model (Order Code)	Finish Options	Accessories	LED	Driver Options
<input type="radio"/> L173N01.12L 4W	<input type="radio"/> KC: Black <input type="radio"/> WC: White <input type="radio"/> BC: Blue <input type="radio"/> GC: Green <input type="radio"/> PC: Rose <input type="radio"/> RC: Red	<input type="radio"/> 01: Ø4" Backplate <input type="radio"/> 02: Mud Plate Reducing Ring	<input type="radio"/> 27: 2700K	<input type="radio"/> 120V LTE



**Luminart®**

WWW.LUMINARTLIGHTING.COM  
Last updated: 01/15/25