

# PEGGY BALL

CEILING

TYPE:

PROJECT NAME:

IP20



## Finish

Non-acoustic:



White

PMMA



Black



Matte gold

Acoustic:



Wool

Uplight and  
downlight

Painted metal disc  
or wool fabric  
acoustic disc. Conic  
diffuser in painted  
metal or globe  
diffuser in opal  
PMMA



Peggy Ball: Up  
light emission  
detail

SPECIFICATION SHEET

# PEGGY BALL

CEILING

TYPE:

PROJECT NAME:



**WOOL**  
70% wool  
30% polyamide



Code 650

Sand

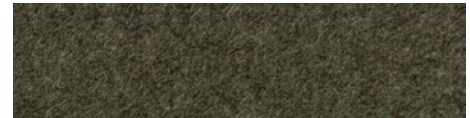
Code 652

Green



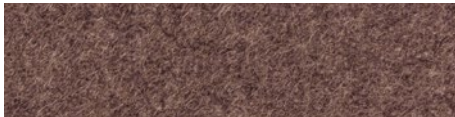
Code 660

Dark green



Code 661

Curry

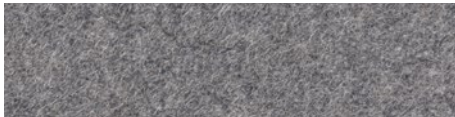


Code 659

Chestnut

Code 662

Turquoise

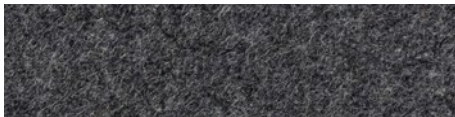


Code 658

Grey

Code 655

Avio blue

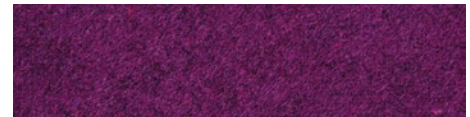


Code 656

Dark grey

Code 654

Purple



Code 651

Orange

Code 657

Cardinal red



Code 653

Mustard yellow

SPECIFICATION SHEET

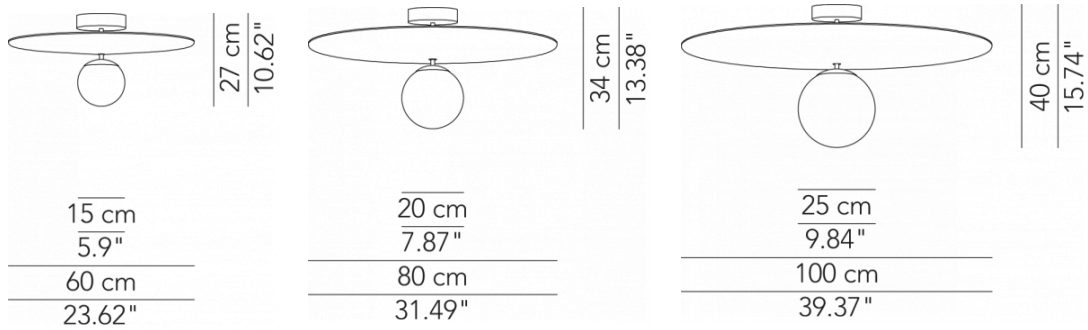
# PEGGY BALL

CEILING

TYPE:

PROJECT NAME:

|                                   |                        |   |                 |
|-----------------------------------|------------------------|---|-----------------|
| <b>Ceiling lamp Ball - D. 60</b>  | ø 60 x 26 cm<br>6 Kg   | lamp type 1 x 15W E26 LED<br>+ 3 x 5W R7S LED | L82PEBEPL060M01 |
| <b>Ceiling lamp Ball - D. 80</b>  | ø 80 x 28 cm<br>8,5 Kg | lamp type 1 x 15W E26 LED<br>+ 3 x 5W R7S LED | L82PEBEPL080M01 |
| <b>Ceiling lamp Ball - D. 100</b> | ø 100 x 40 cm<br>12 Kg | lamp type 1 x 15W E26 LED<br>+ 3 x 5W R7S LED | L82PEBEPL100M01 |



## ORDERING INFO

Model (Order Code)

Finish

LED

Remote Driver Options

- 2700K
- 3000K
- 4000K

- 120V Phase Dimming



Fixture comes with a 4" backplate that mounts to a standard junction box.

SPECIFICATION SHEET