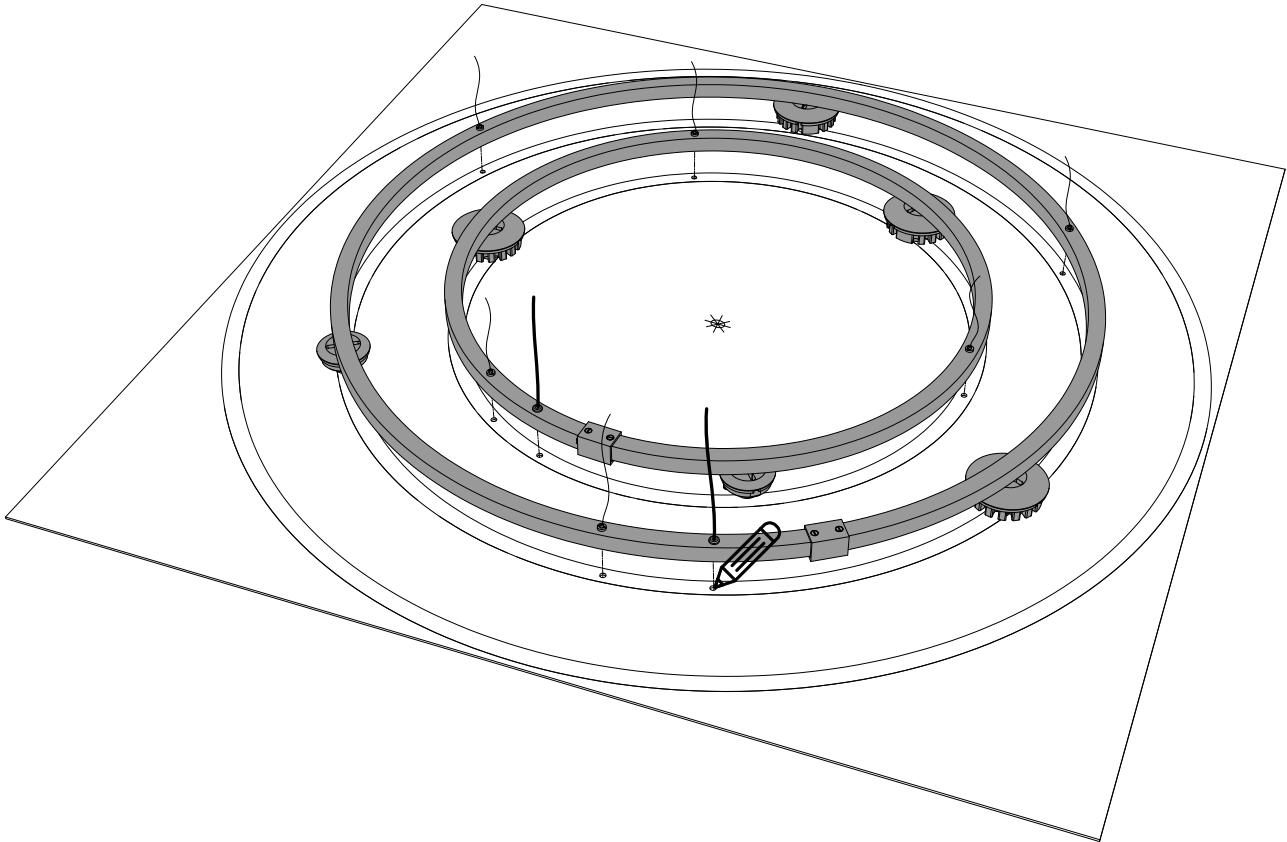


BOUNCE™

INSTALLATION INSTRUCTIONS

TYPE:

PROJECT NAME:



READ COMPLETE INSTALLATION MANUAL BEFORE STARTING.

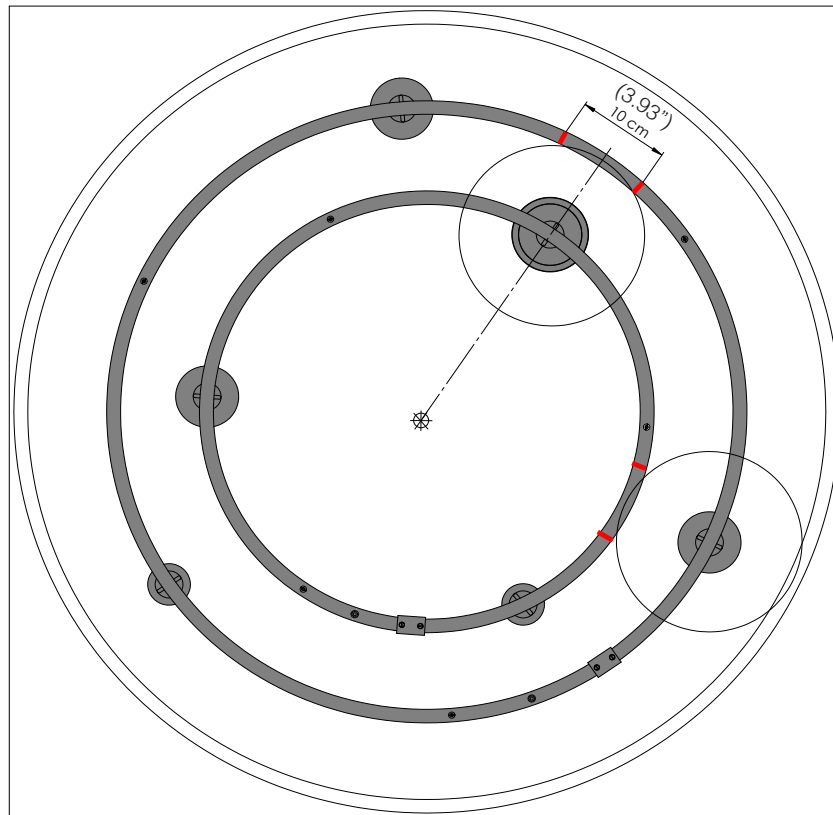
- 1: place the template on the ground or table and place ring(s) in the desired position on the circle(s).
- 2: mark the centre on the template + the positions of the steelcables and power cable(s) on the template and punch small holes through the paper using a sharp pencil or object. Make a distinction between power cable and steelcables.

BOUNCE™

INSTALLATION INSTRUCTIONS

TYPE:

PROJECT NAME:



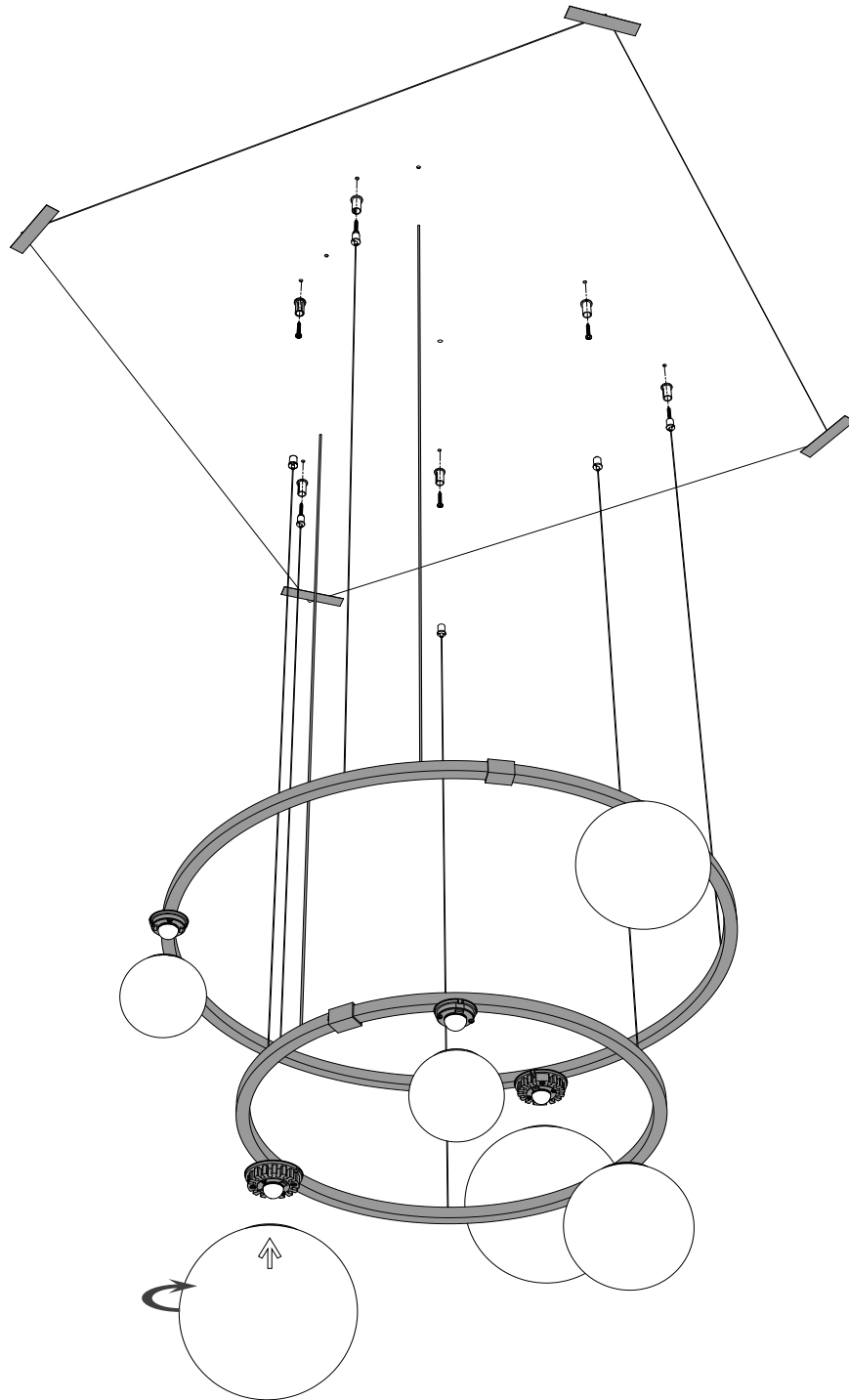
3: FOR MULTIPLE BOUNCE CONCENTRIC INSTALLATION ONLY: check where the biggest globes will be (indicated on the LED with a sticker "L") and avoid steelcables, powercables on the other rings in the areas between the red lines , as shown in the illustration.

BOUNCE™

INSTALLATION INSTRUCTIONS

TYPE:

PROJECT NAME:



INSTALLATION SHEET

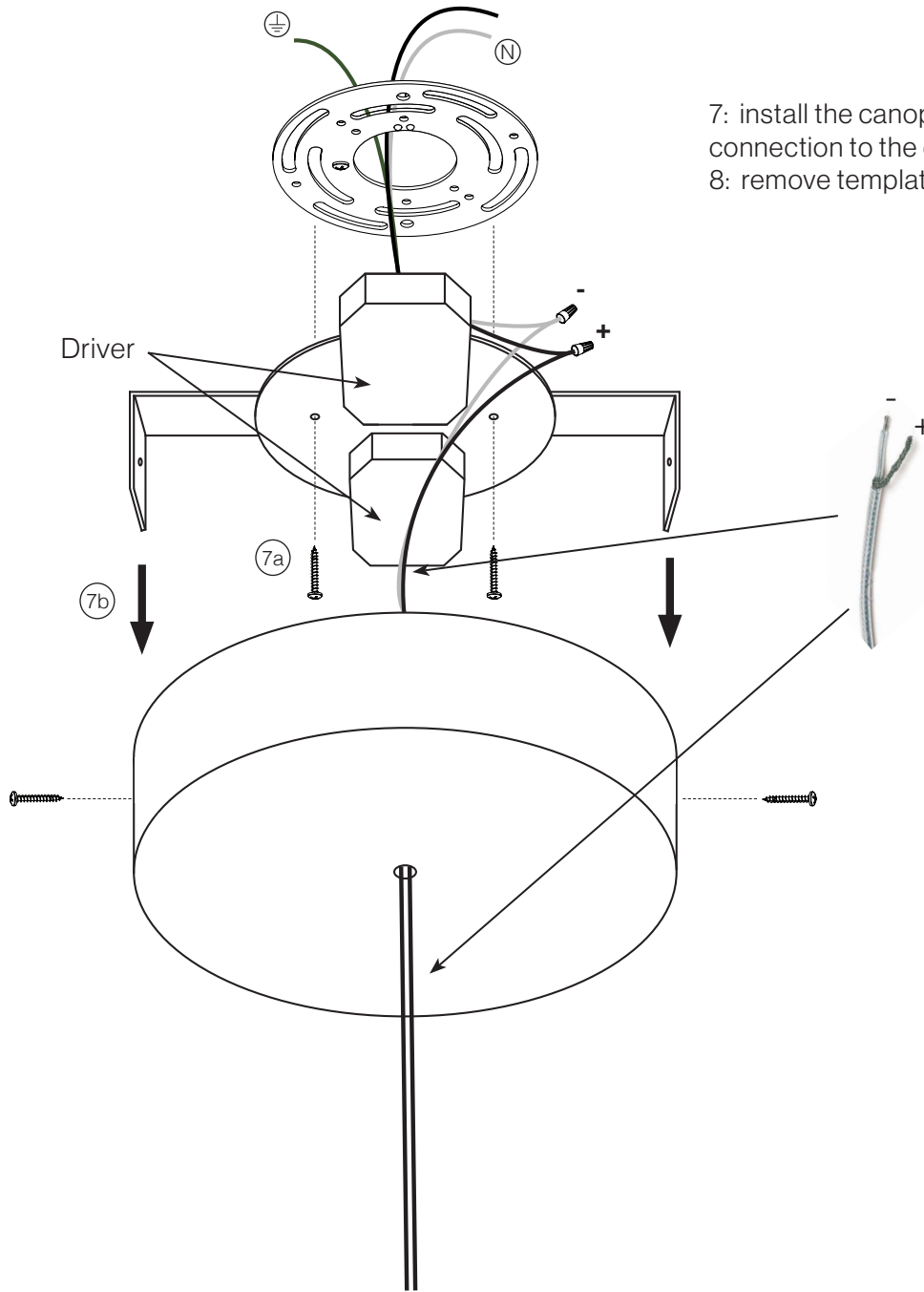
- 4: tape the template firmly to the ceiling (with the drawing facing the ceiling) in the desired position. Use centermark on the template if necessary
- 5: install the cableholders on the marks (except on the marks for the power cable) and attach the steelcables to suspend the ring(s)
- 6: level the rings and choose the height(s) by adjusting the steelcables

BOUNCE™

INSTALLATION INSTRUCTIONS

TYPE:

PROJECT NAME:



7: install the canopy and make the electrical connection to the driver(s).

8: remove template.

Low voltage cable connects to driver.

Note:

For 2 - 3 rings composition, each ring has individual cable that connects to its own driver.