

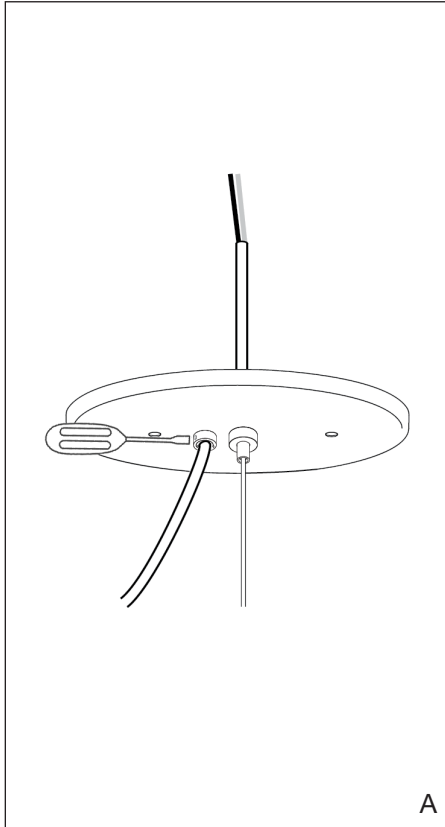
FLOW GLASS™

INSTALLATION INSTRUCTIONS

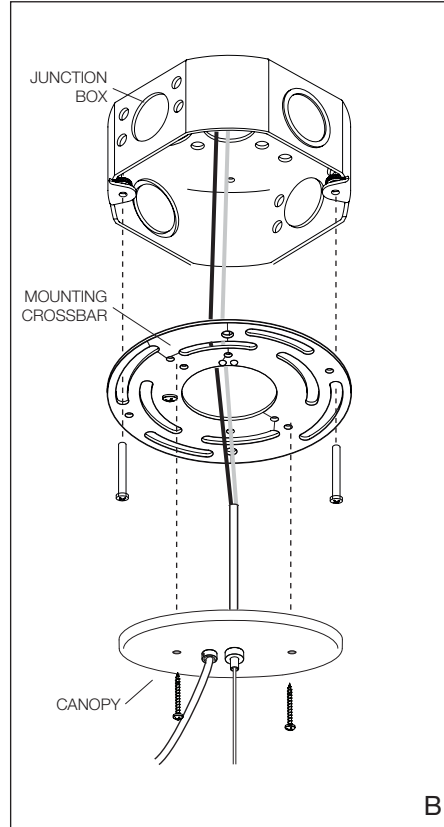
TYPE:

PROJECT NAME:

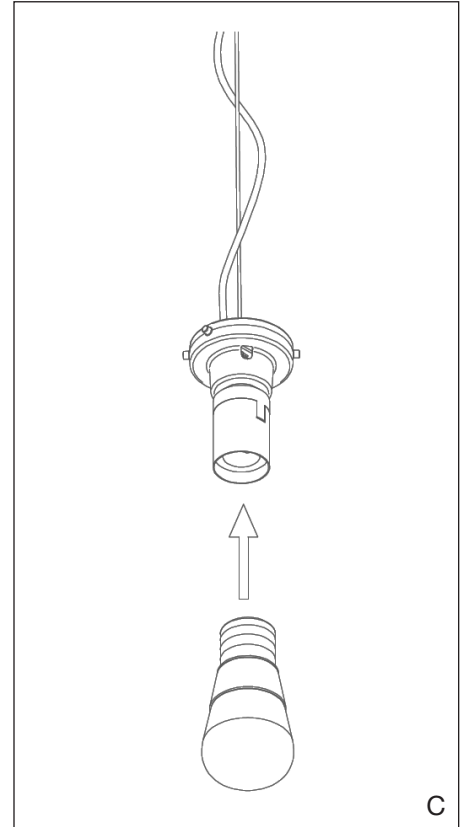
- A- Introduce power and aircraft cables through cable grip. Adjust the length of the cables and lock the position.
- B- Pull the cables through the crossbar and junction box. Fasten the crossbar to the J box with screws. Place the canopy over the crossbar. Secure assembly in place using finishing screw.
- C- Use a light bulb MAX Ø70mm (2.75”).
- D- Install the shade to C, rotate until hear “click”.
- E- Fasten the shade with security screw.



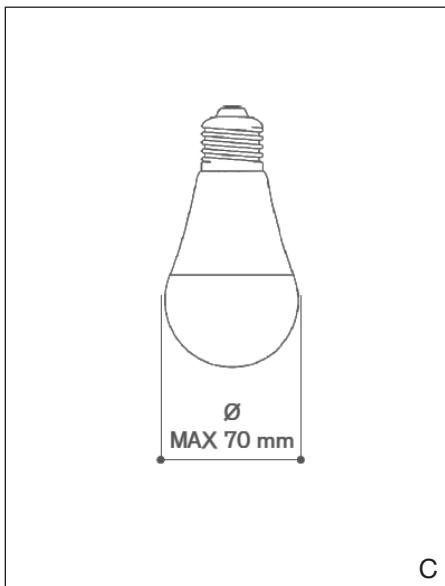
A



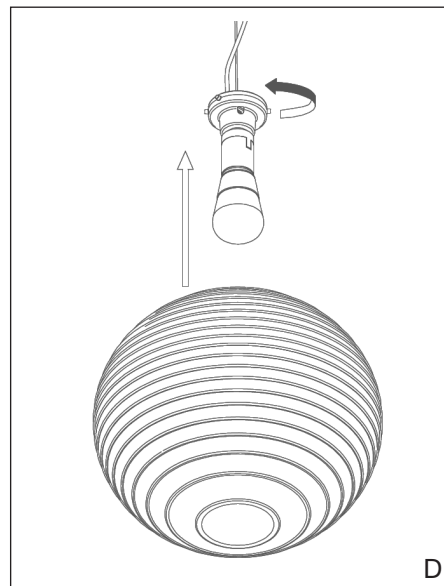
B



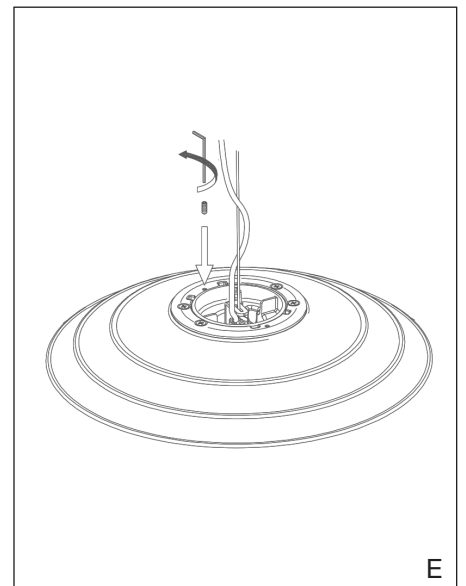
C



C



D



E

INSTALLATION SHEET