

HAMMER™

RECESSED

TYPE:

PROJECT NAME:



SPECIFICATION SHEET

Finishes

Metal structure

Body colors



White



Lead grey



Matt gold



Brick



Blue China

IP20



Luminart®

WWW.LUMINARTLIGHTING.COM

HAMMER™ 15

RECESSED

TYPE:

PROJECT NAME:

Ø 15 / 21 x 5 cm
weight 1 kg

lamp type 1 panel LED 9 W
luminous efficacy 830 Lm
light color 2800 K

ORDERING INFO

Model (Order Code)

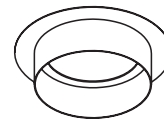
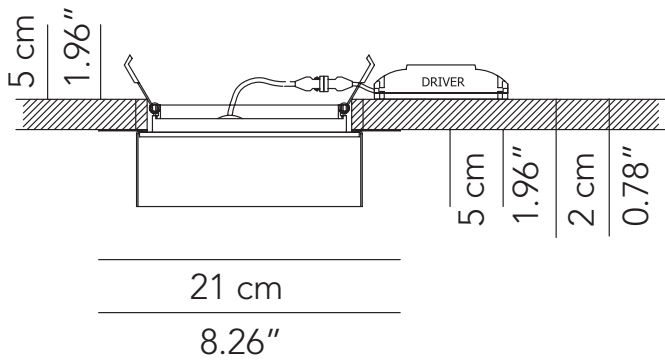
Structure Finish

LED

Remote Driver

- 01: White
- 02: Lead Grey
- 03: Matt Gold
- 03: Brick
- 03: Blue China

- 28: 2800K
- 120V LTE
- 120-277V 0-10V



5 cm
1.96"

21 cm
8.26"

15 cm
5.90"

SPECIFICATION SHEET

Luminart®

WWW.LUMINARTLIGHTING.COM

HAMMER™ 18

RECESSED

TYPE:

PROJECT NAME:

Ø 18 / 24 x 5 cm
weight 1,5 kg

lamp type 1 panel LED 12 W
luminous efficacy 1110 Lm
light color 2800 K

ORDERING INFO

Model (Order Code)

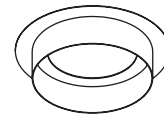
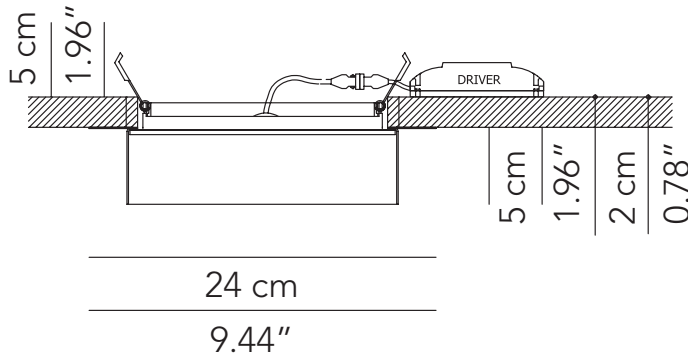
Structure Finish

LED

Remote Driver

- 01: White
- 02: Lead Grey
- 03: Matt Gold
- 03: Brick
- 03: Blue China

- 28: 2800K
- 120V LTE
- 120-277V 0-10V



5 cm
1.96"

24 cm
9.44"

18 cm
7.08"

SPECIFICATION SHEET

Luminart®

WWW.LUMINARTLIGHTING.COM