

KLOKKE™

SUSPENSION

TYPE:

PROJECT NAME:



SPECIFICATION SHEET

Luminart®

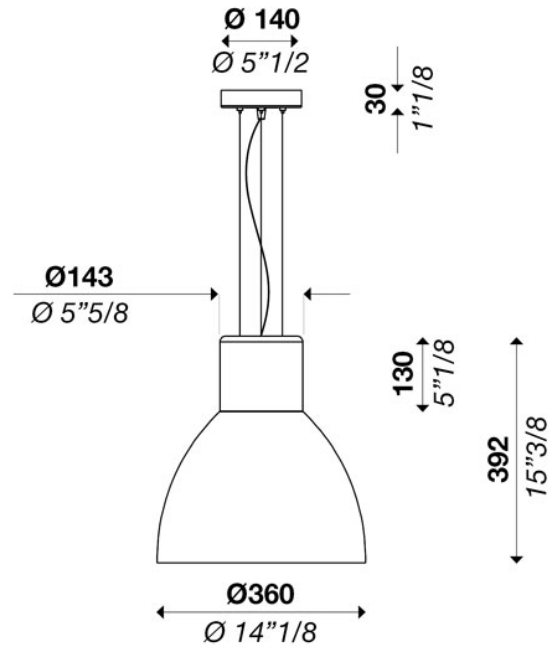
WWW.LUMINARTLIGHTING.COM
Last updated: 02/19/25

KLOKKE™ 360

SUSPENSION

TYPE:

PROJECT NAME:



Hanging lamp $\text{Ø} 360$ mm (14" 1/8) with direct light. Spun aluminium structure matt white or embossed black or matt brass coated. Opal polycarbonate or transparent prismatic PMMA diffusers. Metal ceiling canopy matt white or embossed black or matt brass coated. LED module.

Power input: 41W

Light emission direction: Direct and indirect

Cables: Stainless steel cables standard length 2000 mm (78" 3/4), Electric cable standard length 2500 mm (1000")

Materials: Aluminium structure, transparent glass diffuser

Degree of protection: IP20

Dimming: Power supply compatible with 0-10V / LTE

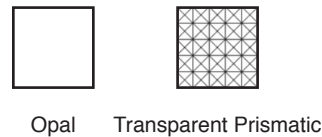
Source lumens: 7000 lm

Source efficacy: 171 lm/W

Structure finish:



Structure finish:



SPECIFICATION SHEET

ORDERING INFO

Model (Order Code)	Structure Finish	Diffuser Options	LED	Dimming Options
<input type="radio"/> L032270303E00000 41W	<input type="radio"/> 01: Matt White <input type="radio"/> 02: Matt Black <input type="radio"/> 03: Brass	<input type="radio"/> 01: Opal <input type="radio"/> 02: Transparent Prismatic	<input type="radio"/> 3000K <input type="radio"/> 4000K	<input type="radio"/> 120V LTE <input type="radio"/> 120-277V 0-10V

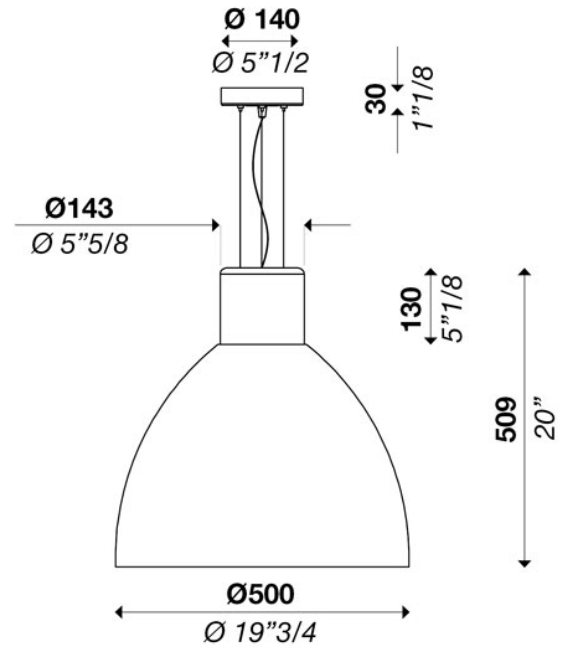


KLOKKE™ 500

SUSPENSION

TYPE:

PROJECT NAME:



Hanging lamp Ø 500 mm (19" 3/4) with direct light. Spun aluminium structure matt white or embossed black or matt brass coated. Opal polycarbonate or transparent prismatic PMMA diffusers. Metal ceiling canopy matt white or embossed black or matt brass coated. LED module.

Power input: 43W

Light emission direction: Direct and indirect

Cables: Stainless steel cables standard length 2000 mm (78" 3/4), Electric cable standard length 2500 mm (1000")

Materials: Aluminium structure, transparent glass diffuser

Degree of protection: IP20

Dimming: Power supply compatible with 0-10V / LTE

Source lumens: 7000 lm

Source efficacy: 163 lm/W

Structure finish:



Matt White



Matt Black



Brass

Structure finish:



Opal



Transparent Prismatic

SPECIFICATION SHEET

ORDERING INFO

Model (Order Code)	Structure Finish	Diffuser Options	LED	Dimming Options
<input type="radio"/> L032270305E00000 43W	<input type="radio"/> 01: Matt White <input type="radio"/> 02: Matt Black <input type="radio"/> 03: Brass	<input type="radio"/> 01: Opal <input type="radio"/> 02: Transparent Prismatic	<input type="radio"/> 3000K <input type="radio"/> 4000K	<input type="radio"/> 120V LTE <input type="radio"/> 120-277V 0-10V



Luminart®

WWW.LUMINARTLIGHTING.COM