

POP™ 04 Ø8

RECESSED

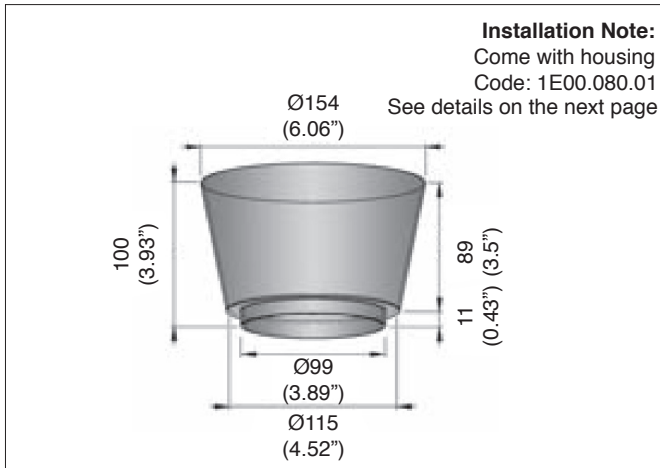
TYPE:

PROJECT NAME:

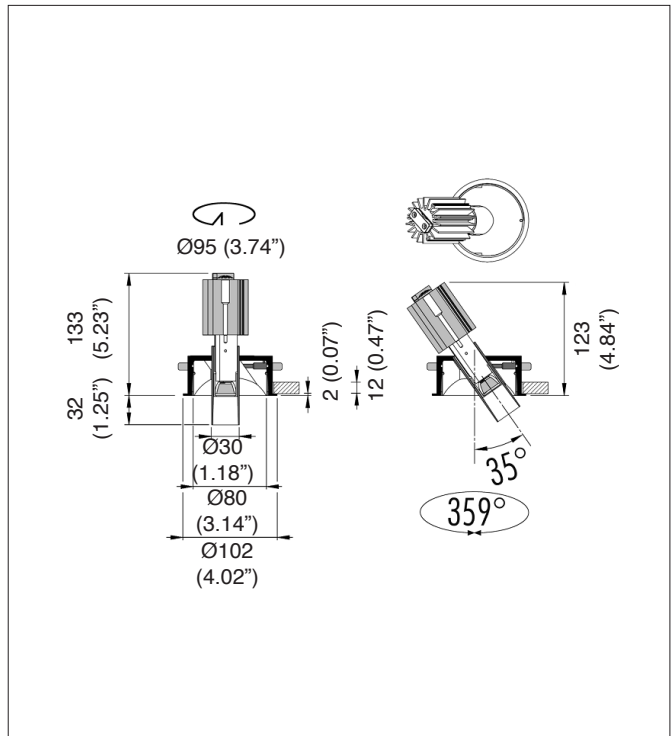


02 White 06 Black

Power	13.4W	
Luminaire Light Flux	2700K	1650lm
	3000K	1727lm
	4000K	1786lm



Mounting	Ceiling Recessed
Material	Metal body
LED	2700K, 3000K, 4000K
Dimmer	LTE / 0-10V
Ingress Protection	IP40
CRI	>95
Class	II
Lifetime	100.000h L80B10



ORDERING INFO

Model (Order Code)	Finish Options	Optic Options	LED	Remote Driver Options
<input type="radio"/> L173E04.2 without Honeycomb	<input type="radio"/> 02: White	<input type="radio"/> 1: 25°	<input type="radio"/> 2: 2700K	<input type="radio"/> LTE: 120V LTE
<input type="radio"/> L174E04.2 with Honeycomb	<input type="radio"/> 06: Black		<input type="radio"/> 3: 3000K	<input type="radio"/> D10: 120-277V 0-10V
			<input type="radio"/> 4: 4000K	

SPECIFICATION SHEET

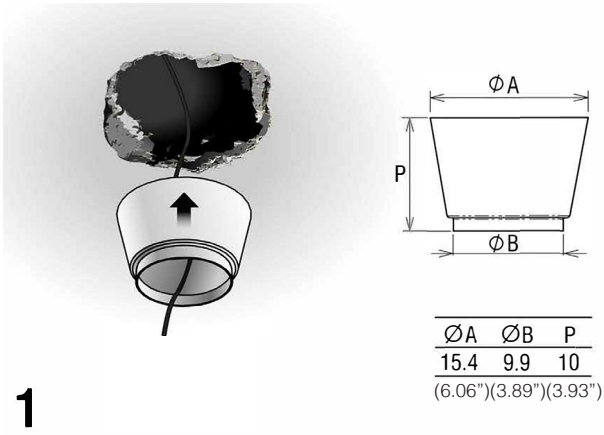


POP™ 04 Ø8

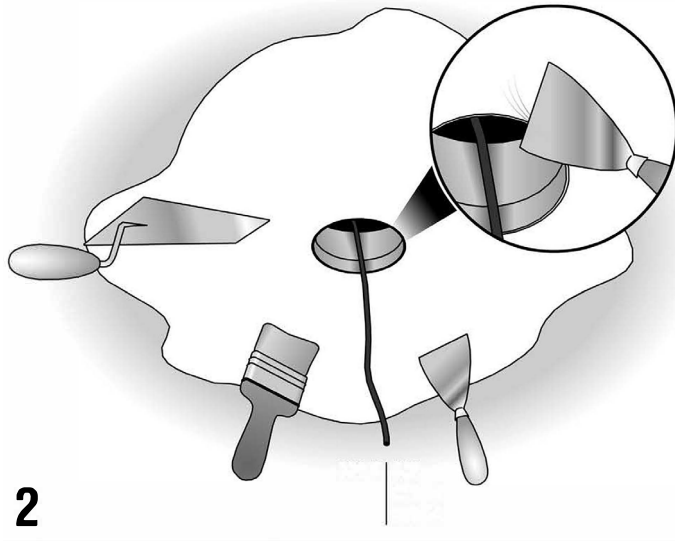
RECESSED

TYPE:

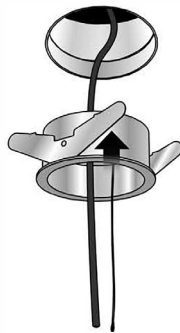
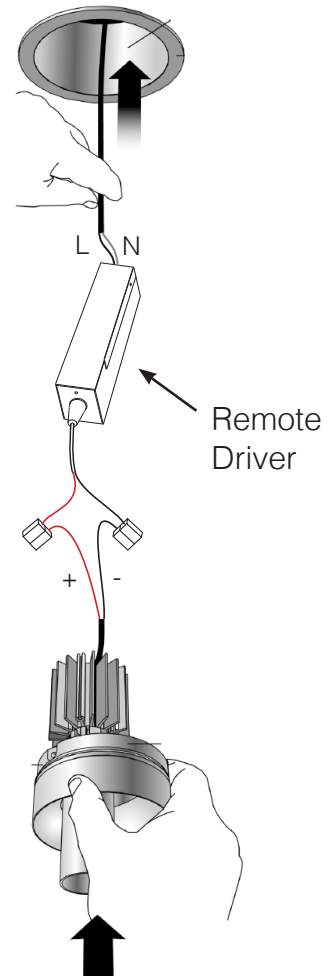
PROJECT NAME:



1



2



3

- 1) Form a recess in the ceiling for the brickwork housing.
- 2) Insert the power cables in to the brickwork housing and complete the ceiling with plaster finish.
- 3) Keep the inside brickwork housing clean. Install the item into the housing.