

# POP™ Y3 Ø10

RECESSED

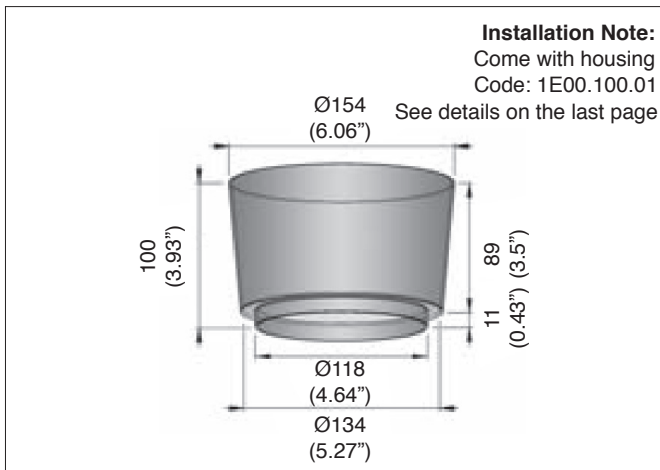
TYPE:

PROJECT NAME:

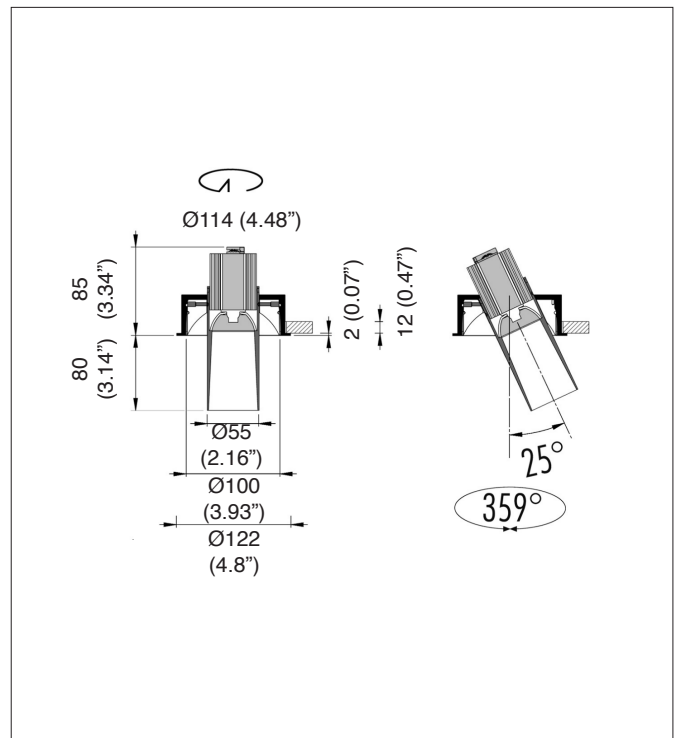


02 White    06 Black

Power	11W	
Luminaire Light Flux	2700K	1195lm
	3000K	1257lm
	4000K	1313lm



Mounting	Ceiling Recessed
Material	Metal body
LED	2700K, 3000K, 4000K
Dimmer	LTE / 0-10V
Ingress Protection	IP40
CRI	>95
Class	II
Lifetime	100.000h L80B10



## ORDERING INFO

Model (Order Code)	Power	Finish Options	Optic Options	LED	Remote Driver Options
<input type="radio"/> L173EY3.3 without Honeycomb	<input type="radio"/> 1: 11W	<input type="radio"/> 02: White	<input type="radio"/> 1: 20°	<input type="radio"/> 2: 2700K	<input type="radio"/> LTE: 120V LTE
<input type="radio"/> L174EY3.3 with Honeycomb		<input type="radio"/> 06: Black		<input type="radio"/> 3: 3000K	<input type="radio"/> D10: 120-277V 0-10V
				<input type="radio"/> 4: 4000K	

SPECIFICATION SHEET



# POP™ Y3 Ø10 NANO

RECESSED

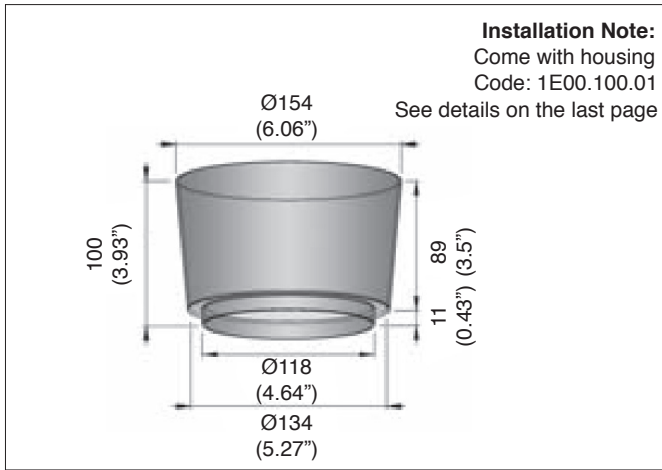
TYPE:

PROJECT NAME:

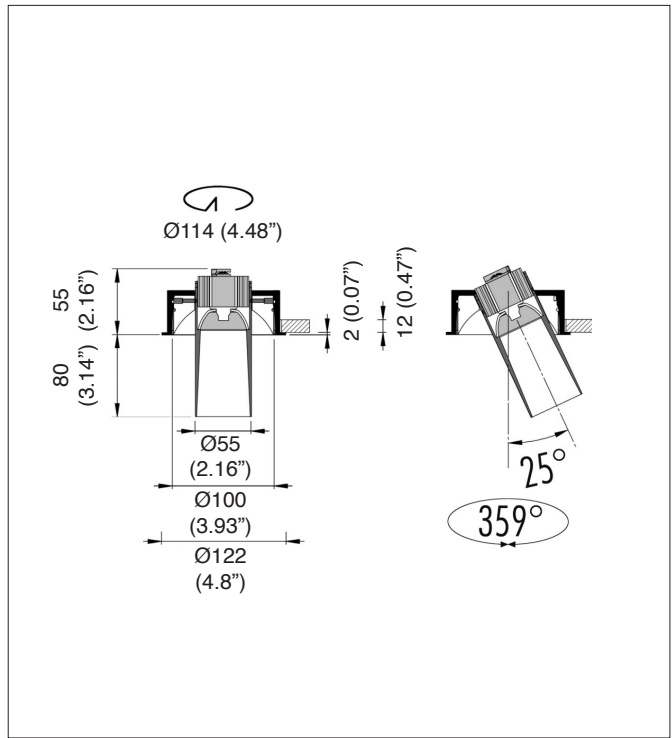


02 White  06 Black

Power	8W	
Luminaire Light Flux	2700K	779lm
	3000K	879lm
	4000K	855lm



Mounting	Ceiling Recessed
Material	Metal body
LED	2700K, 3000K, 4000K
Dimmer	LTE / 0-10V
Ingress Protection	IP40
CRI	>95
Class	II
Lifetime	100.000h L80B10



## ORDERING INFO

Model (Order Code)	Power	Finish Options	Optic Options	LED	Remote Driver Options
<input type="radio"/> L173FY3.3 without Honeycomb	<input type="radio"/> 1: 8W	<input type="radio"/> 02: White	<input type="radio"/> 1: 20°	<input type="radio"/> 2: 2700K	<input type="radio"/> LTE: 120V LTE
<input type="radio"/> L174FY3.3 with Honeycomb		<input type="radio"/> 06: Black		<input type="radio"/> 3: 3000K	<input type="radio"/> D10: 120-277V 0-10V
				<input type="radio"/> 4: 4000K	

SPECIFICATION SHEET

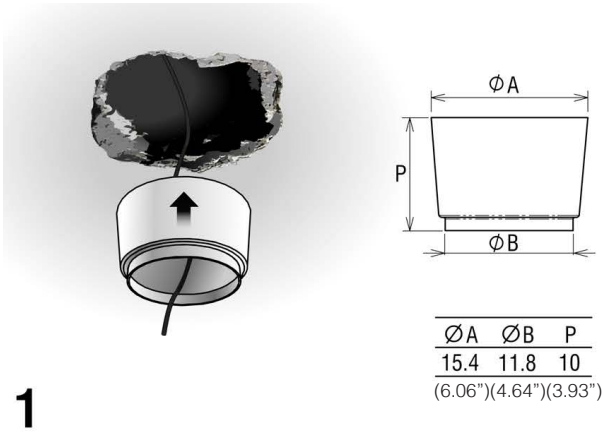


# POP™ Y3 Ø10

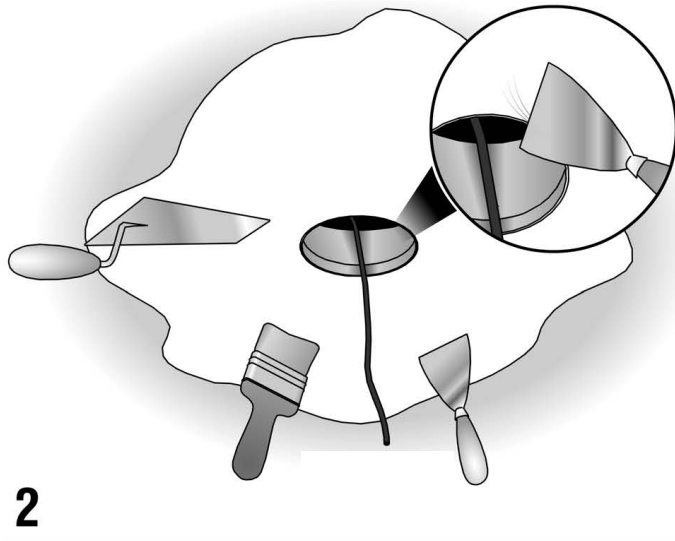
RECESSED

TYPE:

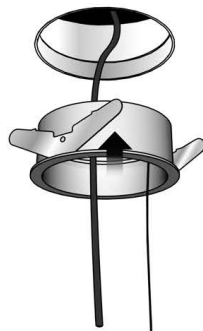
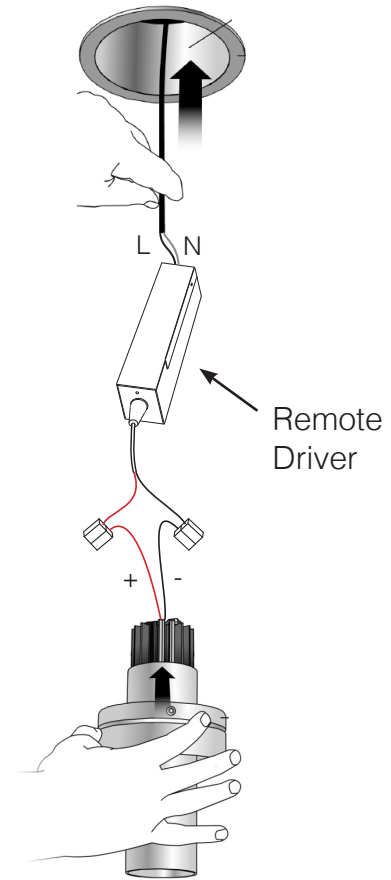
PROJECT NAME:



1



2



3

- 1) Form a recess in the ceiling for the brickwork housing.
- 2) Insert the power cables in to the brickwork housing and complete the ceiling with plaster finish.
- 3) Keep the inside brickwork housing clean. Install the item into the housing.