

POP™ Y3 Ø10

RECESSED - GLASS

TYPE:

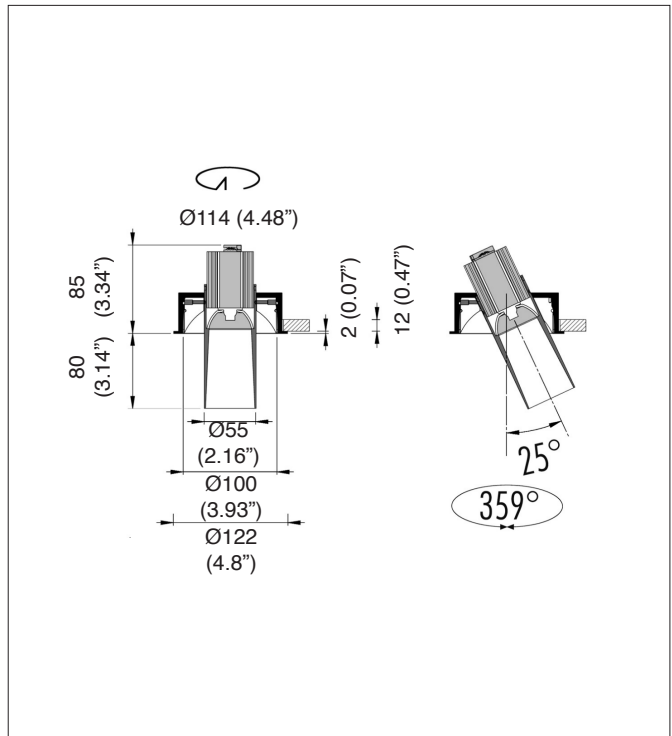
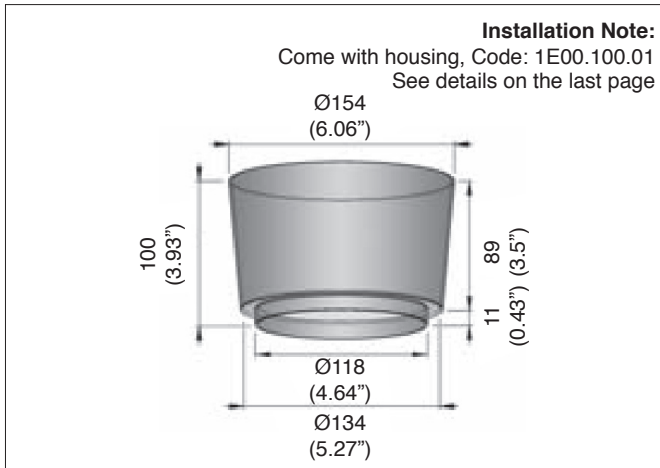
PROJECT NAME:



Mounting	Ceiling Recessed
Material	Metal body
LED	2700K, 3000K, 4000K
Dimmer	LTE / 0-10V
Ingress Protection	IP40
CRI	>95
Class	II
Lifetime	100.000h L80B10

- 02 White
 06 Black

Power	11W	
Luminaire Light Flux	2700K	1195lm
	3000K	1257lm
	4000K	1313lm



ORDERING INFO

Model (Order Code)	Glass Diffuser	Finish Options	Optic	LED	Remote Driver Options
<input type="radio"/> L173EY3.3 without Honeycomb	<input type="radio"/> F: Smoked	<input type="radio"/> 02: White	<input type="radio"/> M: 38°	<input type="radio"/> 2: 2700K	<input type="radio"/> LTE: 120V LTE
<input type="radio"/> L174EY3.3 with Honeycomb	<input type="radio"/> T: Transparent	<input type="radio"/> 06: Black	<input type="radio"/> S: 22°	<input type="radio"/> 3: 3000K	<input type="radio"/> D10: 120-277V 0-10V
			<input type="radio"/> T: 10°	<input type="radio"/> 4: 4000K	

SPECIFICATION SHEET



POP™ Y3 Ø10 NANO

RECESSED - GLASS

TYPE:

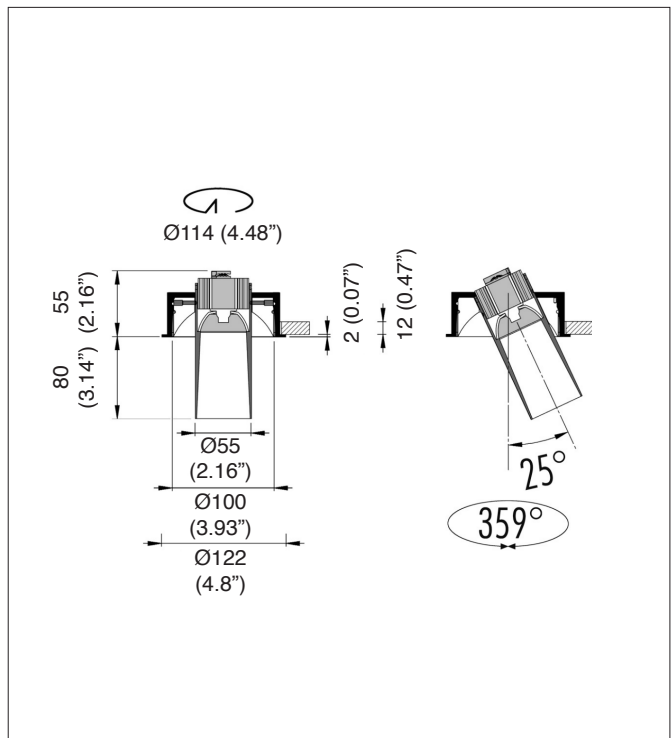
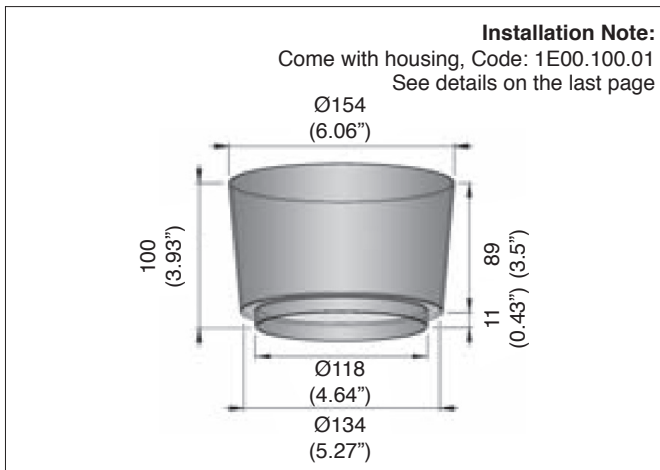
PROJECT NAME:



Mounting	Ceiling Recessed
Material	Metal body
LED	2700K, 3000K, 4000K
Dimmer	LTE / 0-10V
Ingress Protection	IP40
CRI	>95
Class	II
Lifetime	100.000h L80B10

- 03 White
 05 Black

Power	8W	
Luminaire Light Flux	2700K	779lm
	3000K	879lm
	4000K	855lm



ORDERING INFO

Model (Order Code)	Glass Diffuser	Finish Options	Optic	LED	Remote Driver Options
<input type="radio"/> L173FY3.3 without Honeycomb	<input type="radio"/> F: Smoked	<input type="radio"/> 02: White	<input type="radio"/> M: 38°	<input type="radio"/> 2: 2700K	<input type="radio"/> LTE: 120V LTE
<input type="radio"/> L174FY3.3 with Honeycomb	<input type="radio"/> T: Transparent	<input type="radio"/> 06: Black	<input type="radio"/> S: 22°	<input type="radio"/> 3: 3000K	<input type="radio"/> D10: 120-277V 0-10V
			<input type="radio"/> T: 10°	<input type="radio"/> 4: 4000K	

SPECIFICATION SHEET

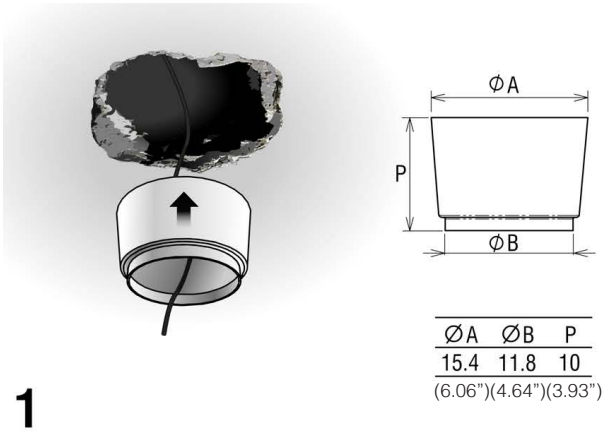


POP™ Y3 Ø10

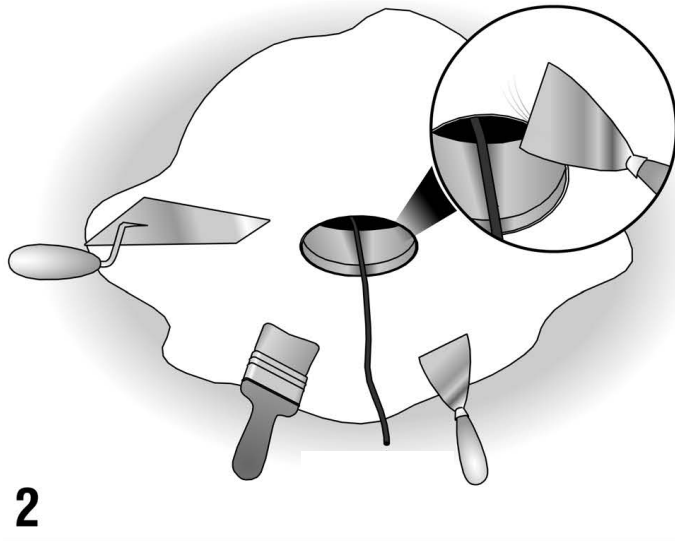
RECESSED - GLASS

TYPE:

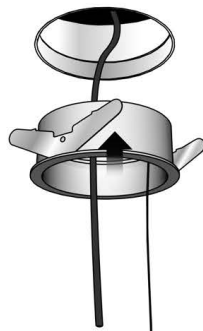
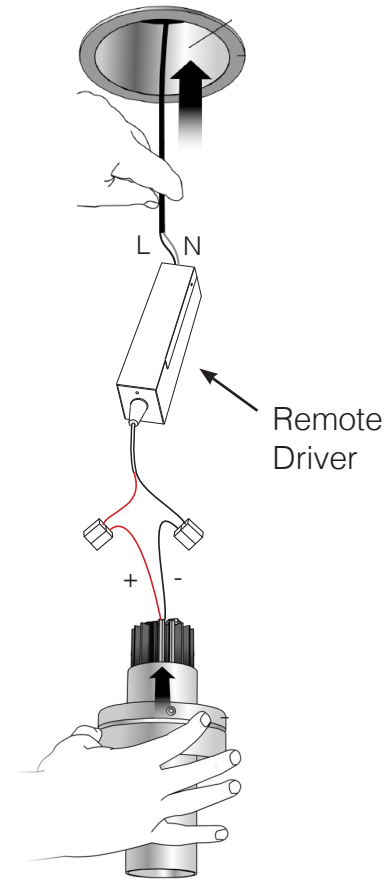
PROJECT NAME:



1



2



3

- 1) Form a recess in the ceiling for the brickwork housing.
- 2) Insert the power cables in to the brickwork housing and complete the ceiling with plaster finish.
- 3) Keep the inside brickwork housing clean. Install the item into the housing.