

POP™ Y3 Ø10

RECESSED - GLASS - TRIMLESS

TYPE:

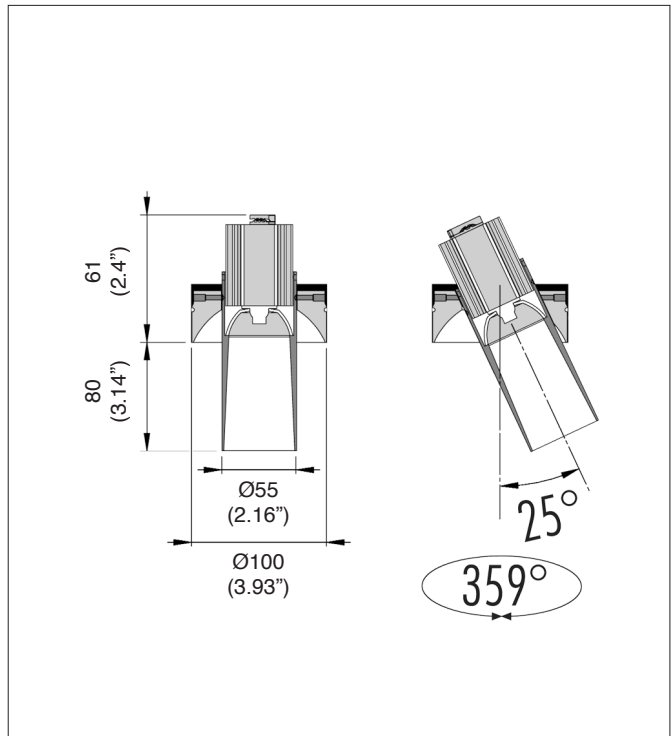
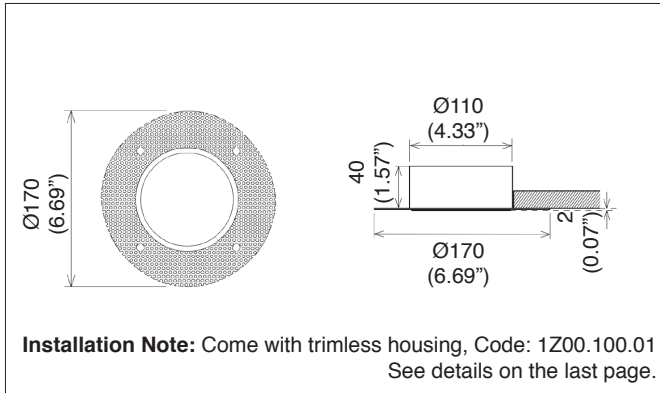
PROJECT NAME:



Mounting	Ceiling Recessed
Material	Metal body
LED	2700K, 3000K, 4000K
Dimmer	LTE / 0-10V
Ingress Protection	IP40
CRI	>95
Class	II
Lifetime	100.000h L80B10

- 02 White
 06 Black

Power	11W	
Luminaire Light Flux	2700K	1195lm
	3000K	1257lm
	4000K	1313lm



ORDERING INFO

Model (Order Code)	Glass Diffuser	Finish Options	Optic	LED	Remote Driver Options
<input type="radio"/> L173PY3.3 without Honeycomb	<input type="radio"/> F: Smoked	<input type="radio"/> 02: White	<input type="radio"/> M: 38°	<input type="radio"/> 2: 2700K	<input type="radio"/> LTE: 120V LTE
<input type="radio"/> L174PY3.3 with Honeycomb	<input type="radio"/> T: Transparent	<input type="radio"/> 06: Black	<input type="radio"/> S: 22°	<input type="radio"/> 3: 3000K	<input type="radio"/> D10: 120-277V 0-10V
			<input type="radio"/> T: 10°	<input type="radio"/> 4: 4000K	

SPECIFICATION SHEET



POP™ Y3 Ø10 NANO

RECESSED - GLASS - TRIMLESS

TYPE:

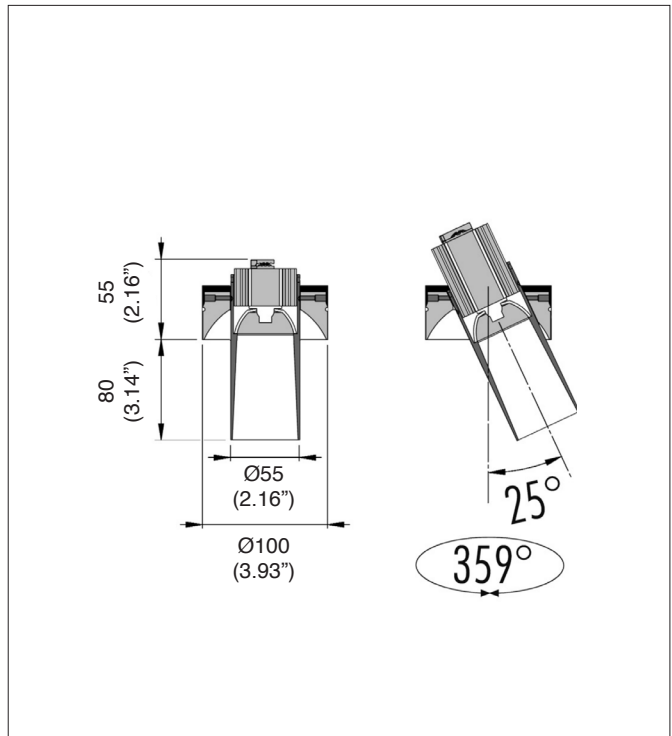
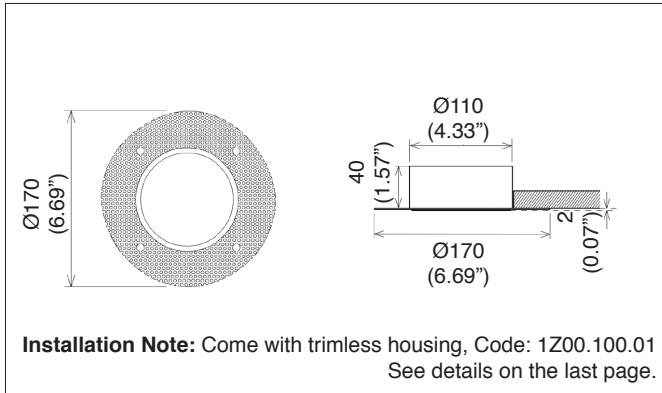
PROJECT NAME:



Mounting	Ceiling Recessed
Material	Metal body
LED	2700K, 3000K, 4000K
Dimmer	LTE / 0-10V
Ingress Protection	IP40
CRI	>95
Class	II
Lifetime	100.000h L80B10

- 02 White
 06 Black

Power	11W	
Luminaire Light Flux	2700K	779lm
	3000K	819lm
	4000K	855lm



ORDERING INFO

Model (Order Code)	Glass Diffuser	Finish Options	Optic	LED	Remote Driver Options
<input type="radio"/> L173NY3.3 without Honeycomb	<input type="radio"/> F: Smoked	<input type="radio"/> 02: White	<input type="radio"/> M: 38°	<input type="radio"/> 2: 2700K	<input type="radio"/> LTE: 120V LTE
<input type="radio"/> L174NY3.3 with Honeycomb	<input type="radio"/> T: Transparent	<input type="radio"/> 06: Black	<input type="radio"/> S: 22°	<input type="radio"/> 3: 3000K	<input type="radio"/> D10: 120-277V 0-10V
			<input type="radio"/> T: 10°	<input type="radio"/> 4: 4000K	

SPECIFICATION SHEET

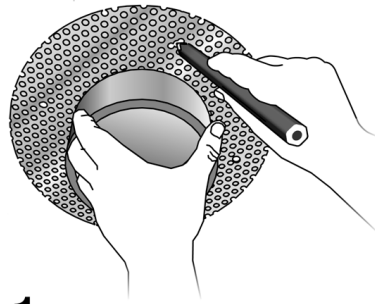


POP™ Y3 Ø10

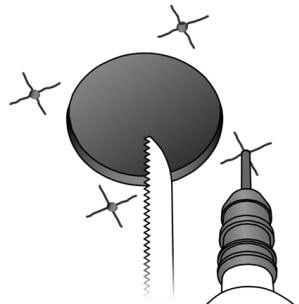
RECESSED - GLASS - TRIMLESS

TYPE:

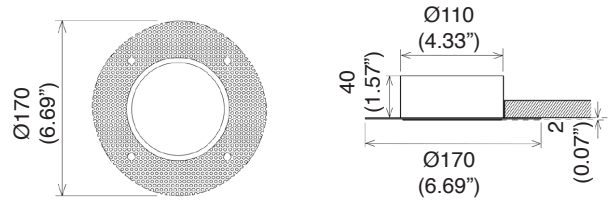
PROJECT NAME:



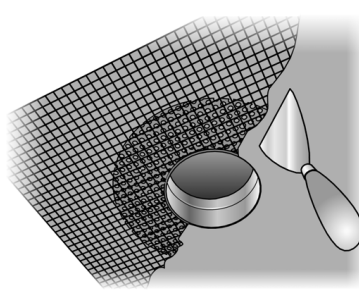
1



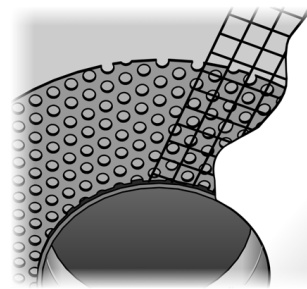
2



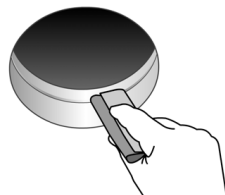
3



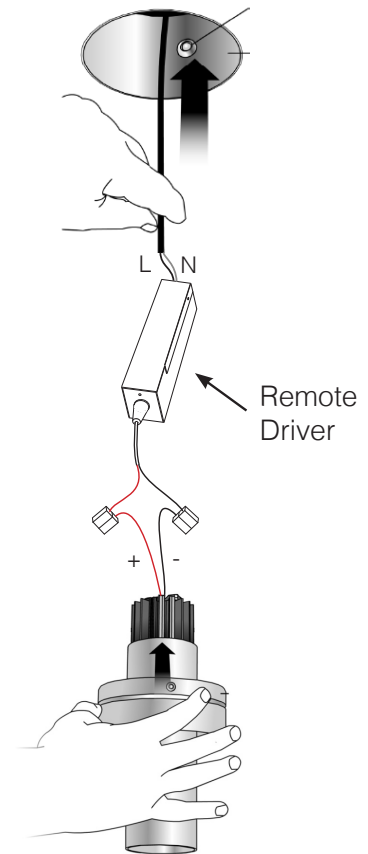
4



5



6



SPECIFICATION SHEET

- Once pointed the position of the lamp, mark the fixing holes for the housing.
- Make the hole for the housing and the holes for the fixing rawlplugs.
- Fix the screws of the housing to the ceiling plaster board.
- Apply the proper grasping net.
- Plaster and trim the compensating 2mm (0.07") gap.
- Keep clean the inside of the housing.