

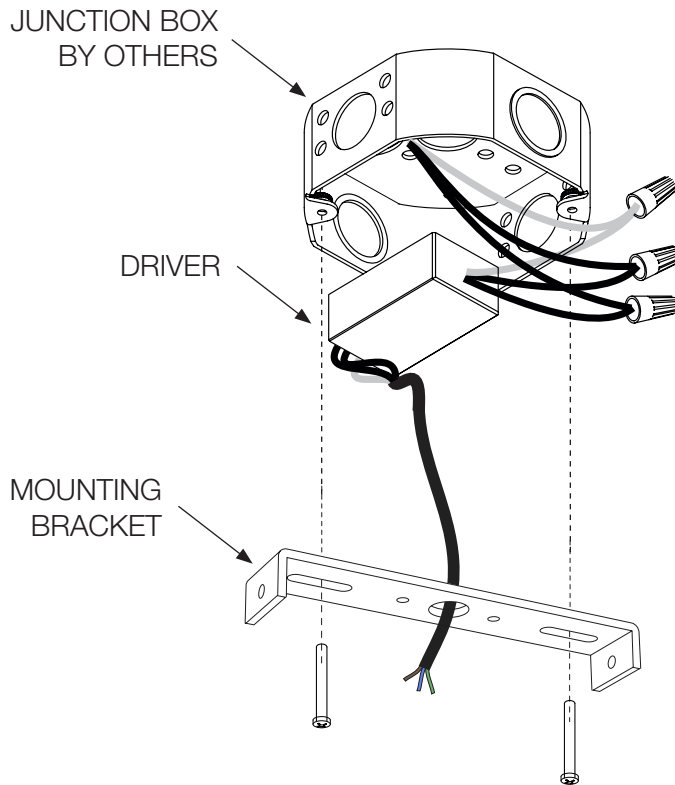
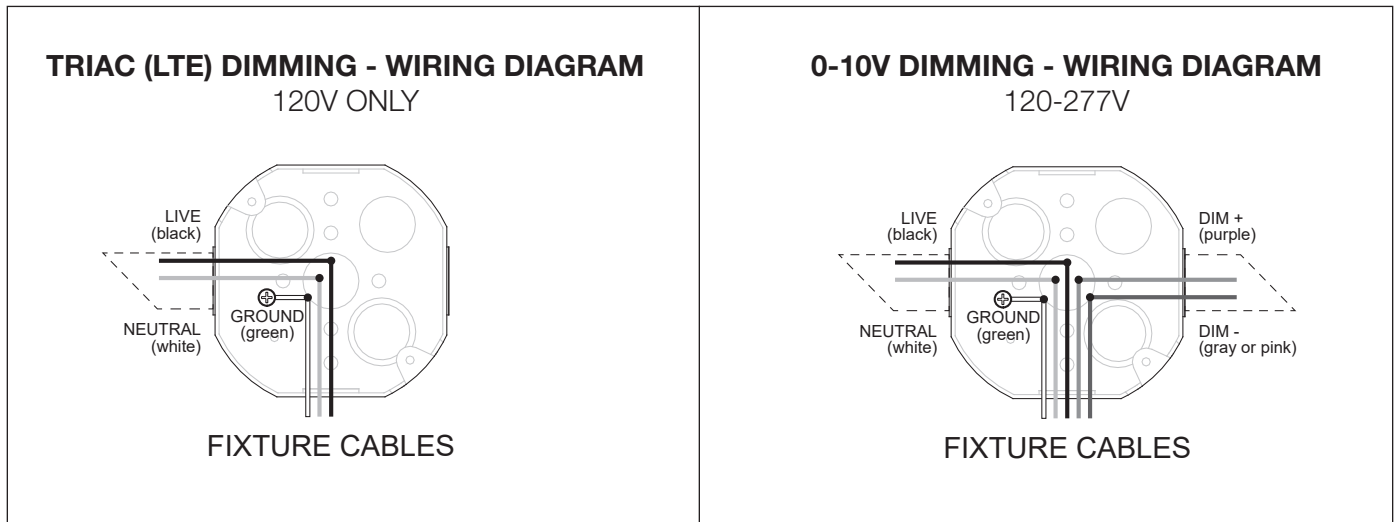
# HALO™ M1000-L1400

INSTALLATION INSTRUCTIONS

TYPE:

PROJECT NAME:

## WIRING DIAGRAM



**A**

Make the connections by following the wiring diagram. Position the driver in the Junction box and fasten the crossbar to the J box with screws.

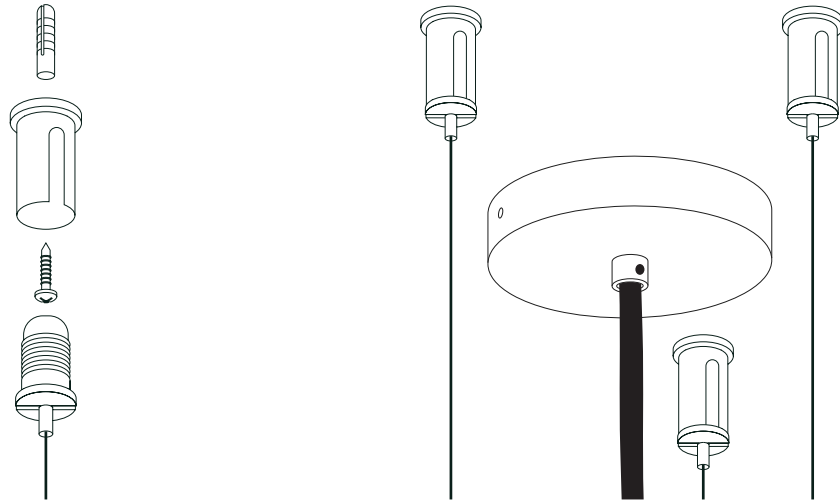
INSTALLATION SHEET

# HALO™ M1000-L1400

## INSTALLATION INSTRUCTIONS

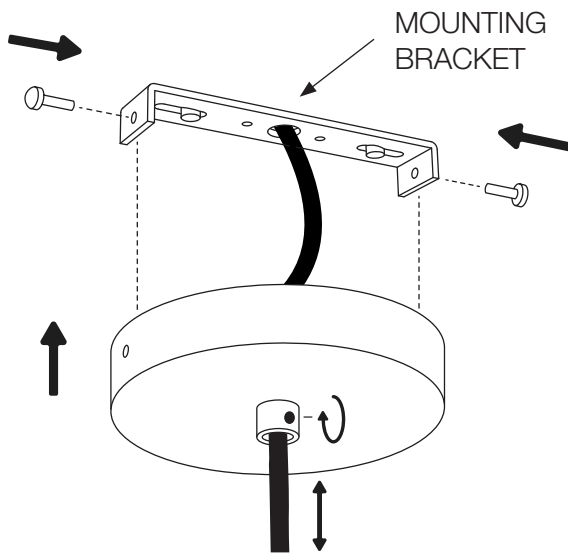
TYPE:

PROJECT NAME:



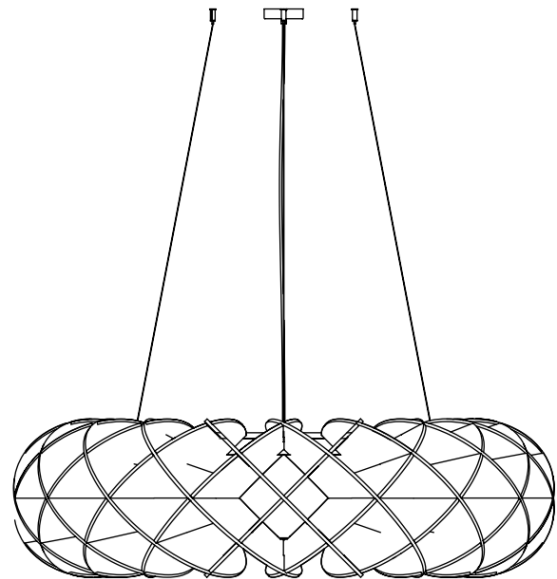
### B

Screw the aircraft cable grippers into the ceiling before adjusting the length, as shown in the drawings above. Adjust the aircraft cable grippers as shown above.



### C

Connect the ceiling canopy to the bracket using 2 screws. Adjust the cable using the side screw.



HALO  
M1000 / L1400