

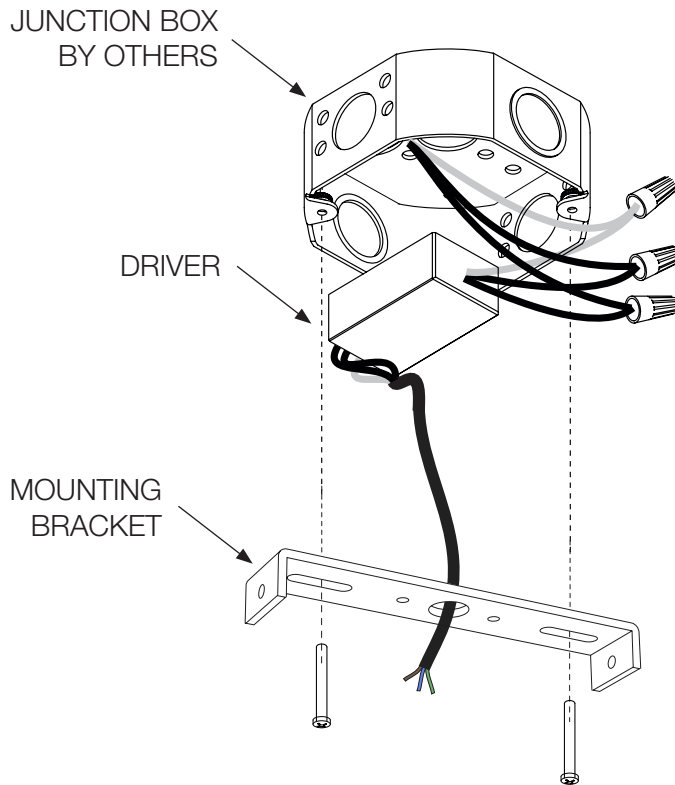
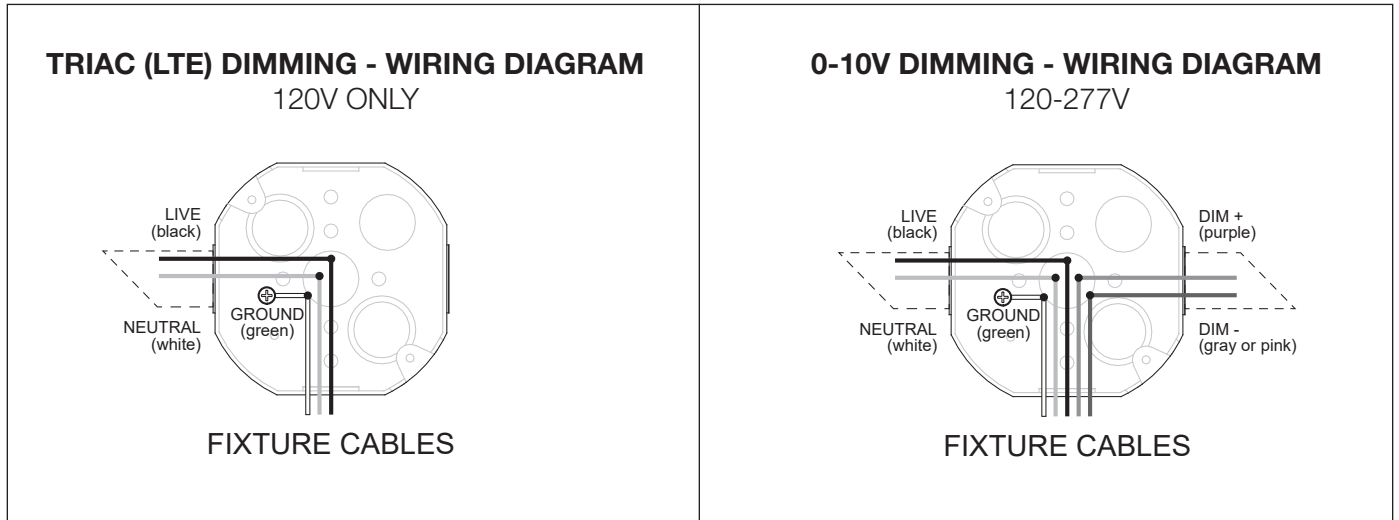
# HALO™ S700

## INSTALLATION INSTRUCTIONS

TYPE:

PROJECT NAME:

### WIRING DIAGRAM



**A**

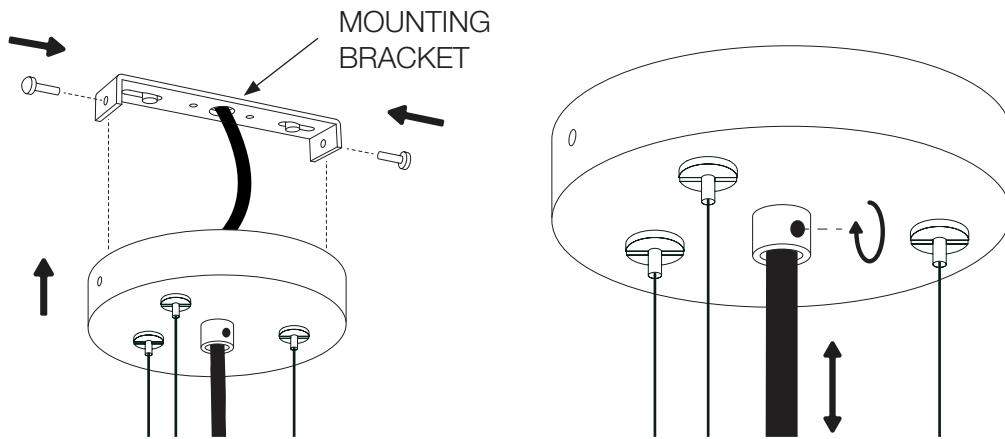
Make the connections by following the wiring diagram. Position the driver in the Junction box and fasten the crossbar to the J box with screws.

# HALO™ S700

## INSTALLATION INSTRUCTIONS

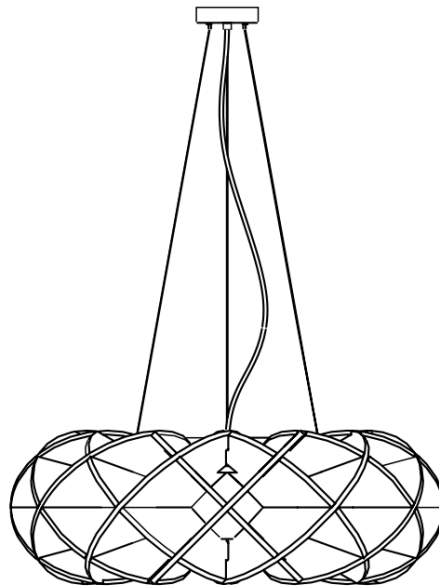
TYPE:

PROJECT NAME:



### B

Connect the ceiling canopy to the bracket using 2 screws.  
Adjust the cables using the side screw.



HALO  
S700