

# MINTO S

RECESSED

TYPE:

PROJECT NAME:



White with Gold reflector



White with White reflector



White with Chrome reflector



White with Copper reflector



Black with Silver High Gloss reflector



Black with Black High Gloss reflector



Black with Black Matte reflector



White with Silver High Gloss reflector



White with Black High Gloss reflector



White with Black Matte reflector



Black with Gold reflector



Black with White reflector



Black with Chrome reflector



Black with Copper reflector

SPECIFICATION SHEET

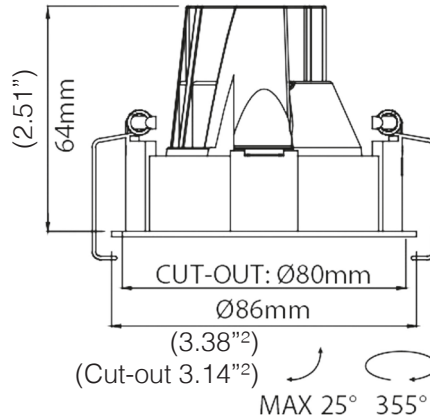
# MINTO S

RECESSED

TYPE:

PROJECT NAME:

## Small



### Versions

- 830lm 2700K 8.5W black high gloss
- 860lm 3000K 8.5W black high gloss
- 870lm 4000K 8.5W black high gloss
- 900lm 2700K 8.5W silver high gloss
- 950lm 3000K 8.5W silver high gloss
- 960lm 4000K 8.5W silver high gloss
- 890lm 2700K 8.5W chrome
- 930lm 3000K 8.5W chrome
- 940lm 4000K 8.5W chrome
- 840lm 2700K 8.5W white
- 880lm 3000K 8.5W white
- 890lm 4000K 8.5W white
- 840lm 2700K 8.5W gold
- 880lm 3000K 8.5W gold
- 890lm 4000K 8.5W gold
- 760lm 2700K 8.5W black matte
- 800lm 3000K 8.5W black matte
- 810lm 4000K 8.5W black matte
- 840lm 2700K 8.5W copper
- 880lm 3000K 8.5W copper
- 890lm 4000K 8.5W copper

### Additional Features

- Adjustable
- IP20
- 90 CRI

### ORDERING INFO

Model (Order Code)	Structure Finish	LED	Optic	Reflector Finish	Driver Options
<input type="radio"/> L92128 (Small)	<input type="radio"/> W White <input type="radio"/> B Black	<input type="radio"/> 927 2700K <input type="radio"/> 930 3000K <input type="radio"/> 940 4000K	<input type="radio"/> 40°	<input type="radio"/> BG Black High Gloss <input type="radio"/> SG Silver High Gloss <input type="radio"/> CH Chrome <input type="radio"/> WH White <input type="radio"/> GO Gold <input type="radio"/> BM Black Matte <input type="radio"/> CO Copper	<input type="radio"/> 120V Phase Dimming <input type="radio"/> 120V 0-10V Dimming <input type="radio"/> 277V 0-10V Dimming

SPECIFICATION SHEET

