

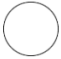
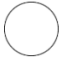






NUCLEO™

SUSPENSION

TYPE:

PROJECT NAME:

Finish

Outer Ring	Inner Ring
	
White	White
	
Graphite	Graphite
	
Bronze	Bronze
	
	Copper
	
	Brass



IP20

Details

SPECIFICATION SHEET



* on demand

** cable on measure



White
Canopy detail L130



Graphite



Bronze



White
Canopy detail L160



Graphite



Bronze



LED source slides within its metal structure



Uplight and downlight emission detail



Connection for suspension 1 steel cable

NUCLEO™

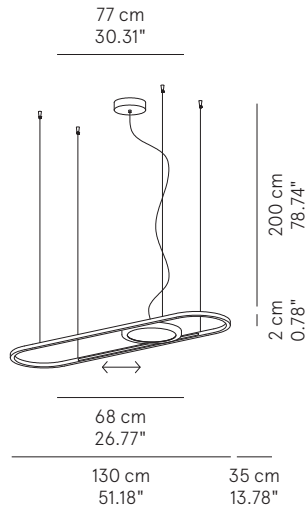
SUSPENSION

TYPE:

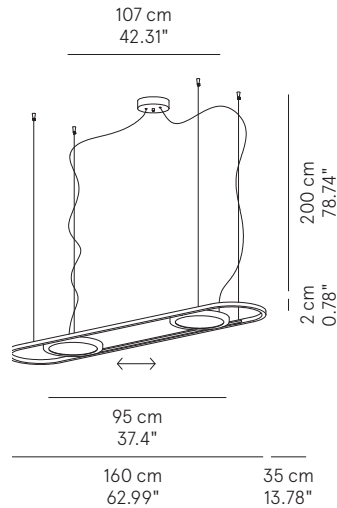
PROJECT NAME:

Pendant lamp - L 130 direct downlight	ø 130 x 35 x 2 cm 8 Kg	lamp type 1 led module 24W luminous efficacy 2150 Lm light color 2800 K cri >85	L82NUCEDD130G01
Pendant lamp - L 130 downlight & uplight	ø 130 x 35 x 2 cm 8 Kg	lamp type 1 led module 24W+3W luminous efficacy 2350 Lm light color 2800 K cri >85	L82NUCEDD130G16
Pendant lamp - L 160 direct downlight	ø 160 x 35 x 2 cm 12 Kg	lamp type 2 led module 24W luminous efficacy 4300 Lm light color 2800 K cri >85	L82NUCEDD160G01
Pendant lamp - L 160 downlight & uplight	ø 160 x 35 x 2 cm 12 Kg	lamp type 2 led module 24W +2x3W luminous efficacy 4700 Lm light color 2800 K cri >85	L82NUCEDD160G16

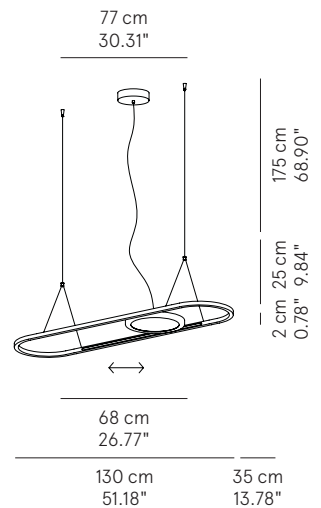
NUCLEO L130
4 Cables Suspension



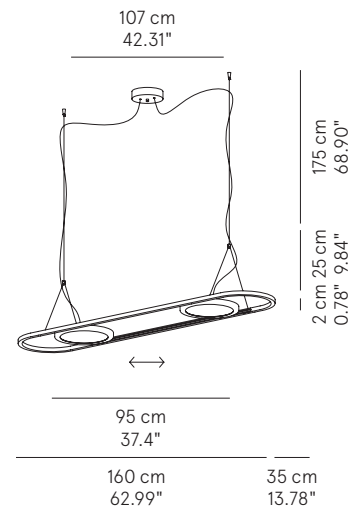
NUCLEO L160
4 Cables Suspension



NUCLEO L130
2 Cables Suspension



NUCLEO L160
2 Cables Suspension



SPECIFICATION SHEET

ORDERING INFO

Model (Order Code)	Light Options	Suspension Cable Options	Outer Structure	Inner Structure	LED	Dimming Options
	<input type="radio"/> Direct Downlight <input type="radio"/> Downlight & Uplight	<input type="radio"/> Four Cables Suspension <input type="radio"/> Two Cables Suspension	<input type="radio"/> White <input type="radio"/> Graphite <input type="radio"/> Bronze	<input type="radio"/> White <input type="radio"/> Graphite <input type="radio"/> Bronze <input type="radio"/> Copper <input type="radio"/> Brass	<input type="radio"/> 2800K <input type="radio"/> 3000K <input type="radio"/> 4000K	<input type="radio"/> 120V 0-10V ONLY AVAILABLE IN 120V 0-10V DIM

