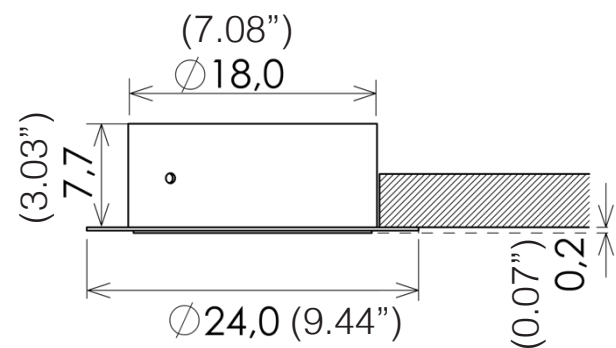
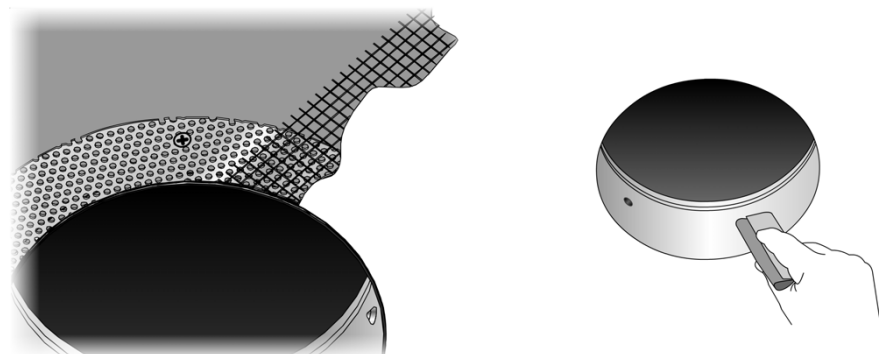
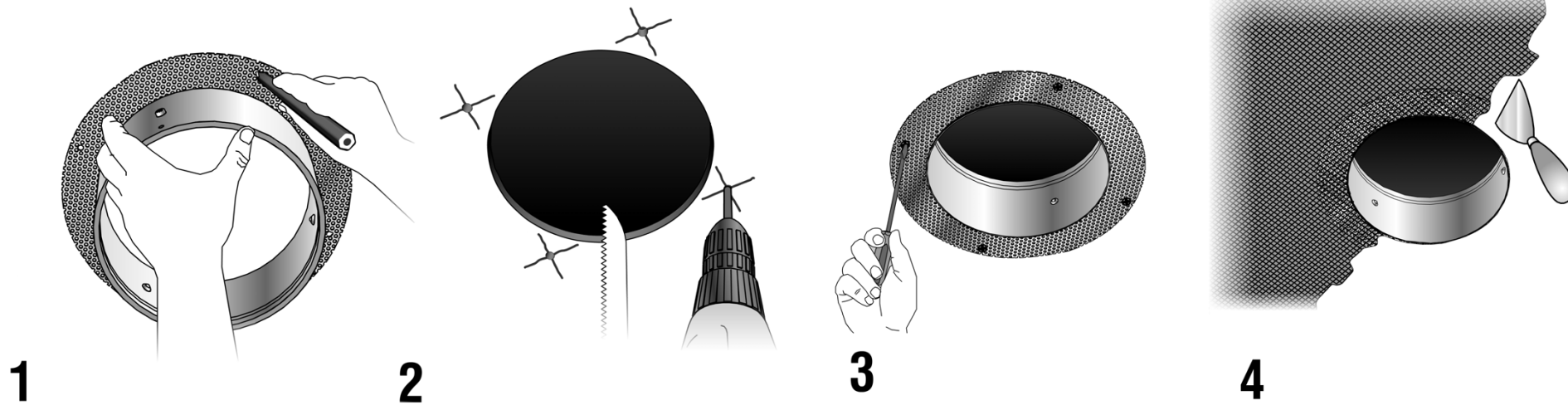


POP™ 03 Ø17

RECESSED

TYPE:

PROJECT NAME:



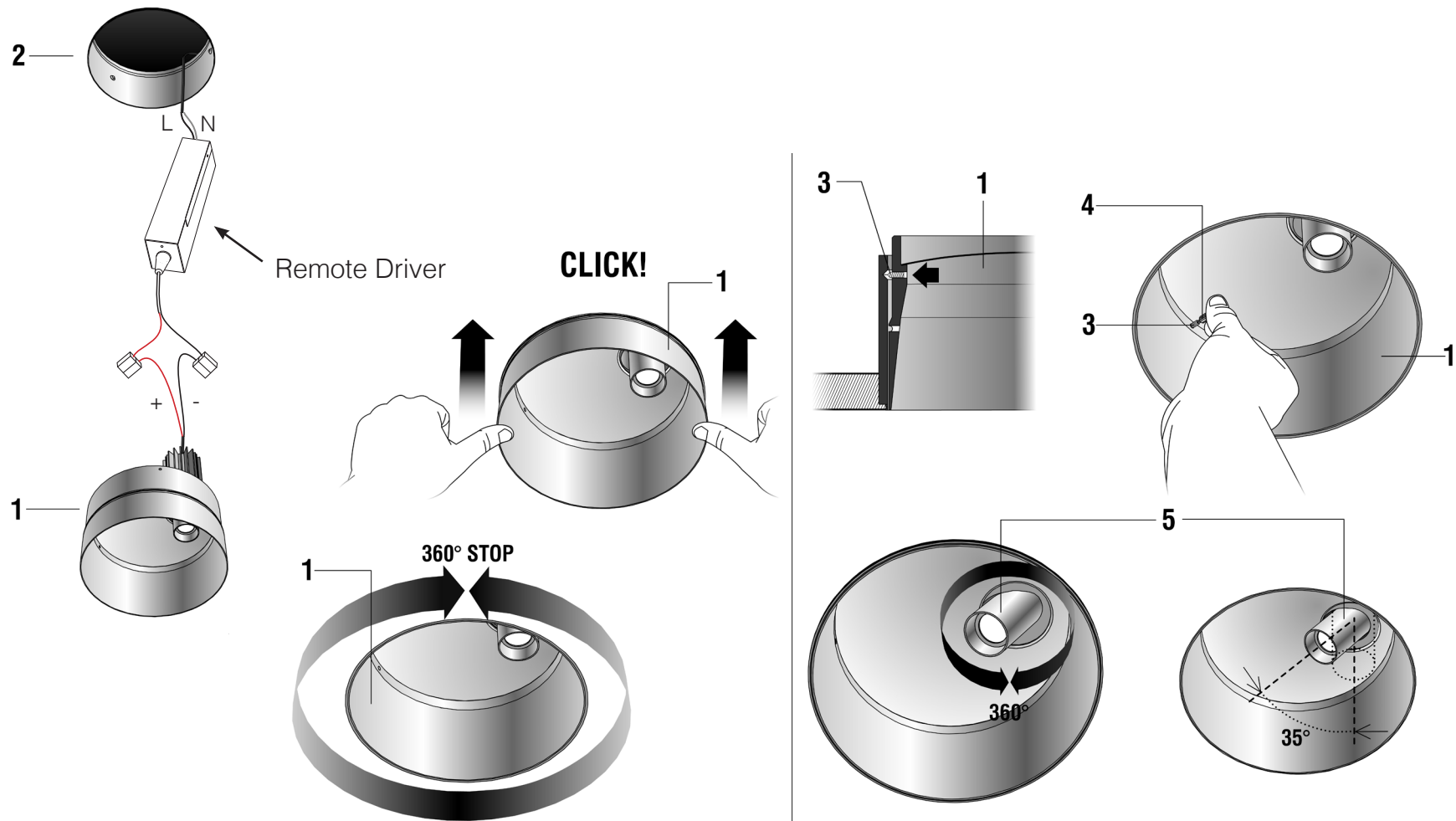
- 1) Once pointed the position of the lamp, mark the fixing holes for the housing.
- 2) Make the hole for the housing and the holes for the fixing rawlplugs.
- 3) Fix the screws of the housing to the ceiling plasterboard.
- 4) Apply the proper grasping net.
- 5) Plaster and trim the compensating 2mm gap.
- 6) Keep clean the inside of the housing.

POP™ 03 Ø17 - SINGLE LED

RECESSED

TYPE:

PROJECT NAME:



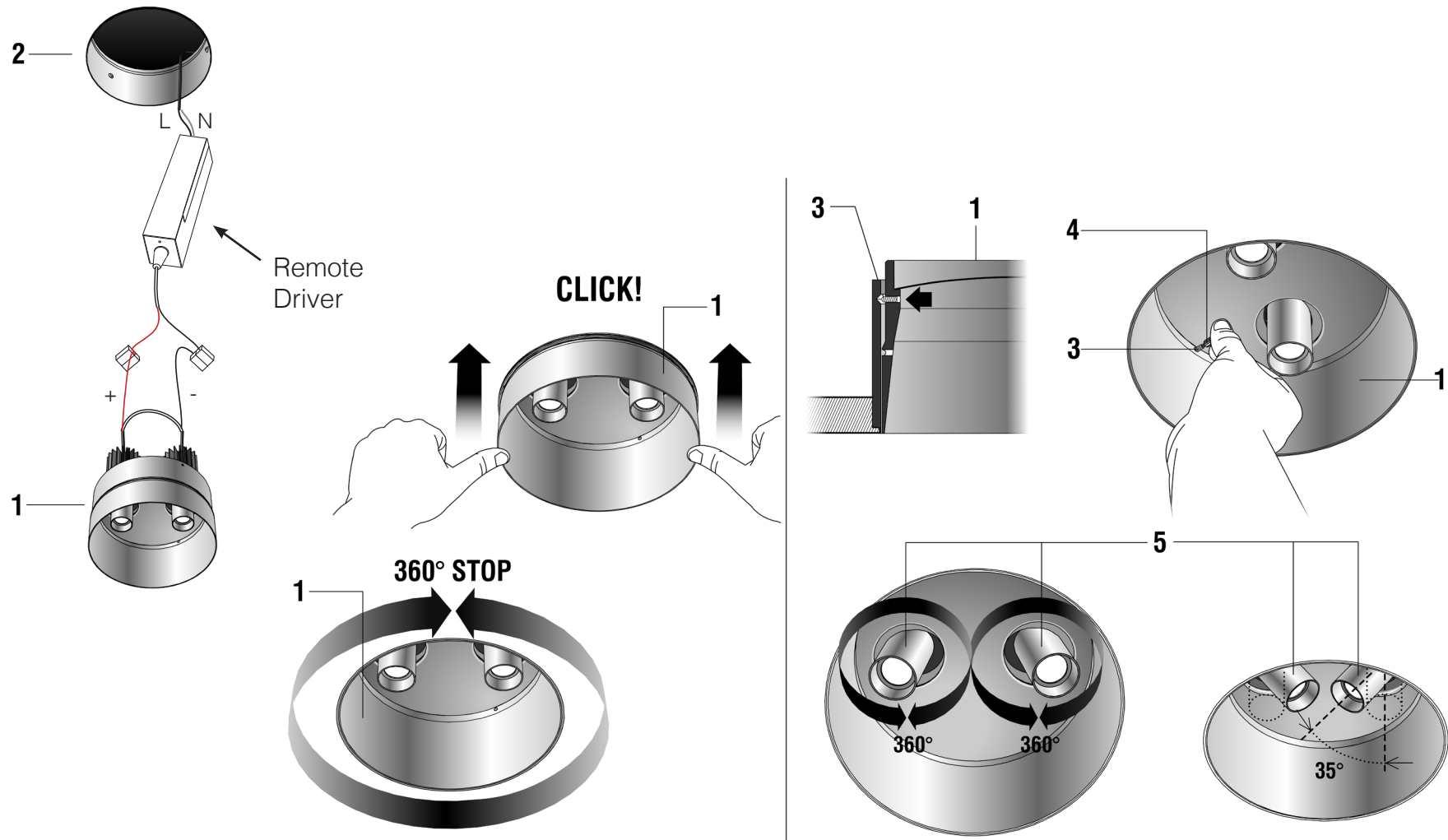
- 1) Make the connection to the remote driver.
- 2) Insert the body of the lamp (1) in the housing beforehand built into the ceiling (2), until the CLICK coupling.
- 3) Adjust screw (3) with the given key (4) so to come flush with the inner surface of the lamp (see unit attached).
- 4) Finally adjust element (1) turning it and element (5), turning or tilting as required.

POP™ 03 Ø17 - DOUBLE LED

RECESSED

TYPE:

PROJECT NAME:



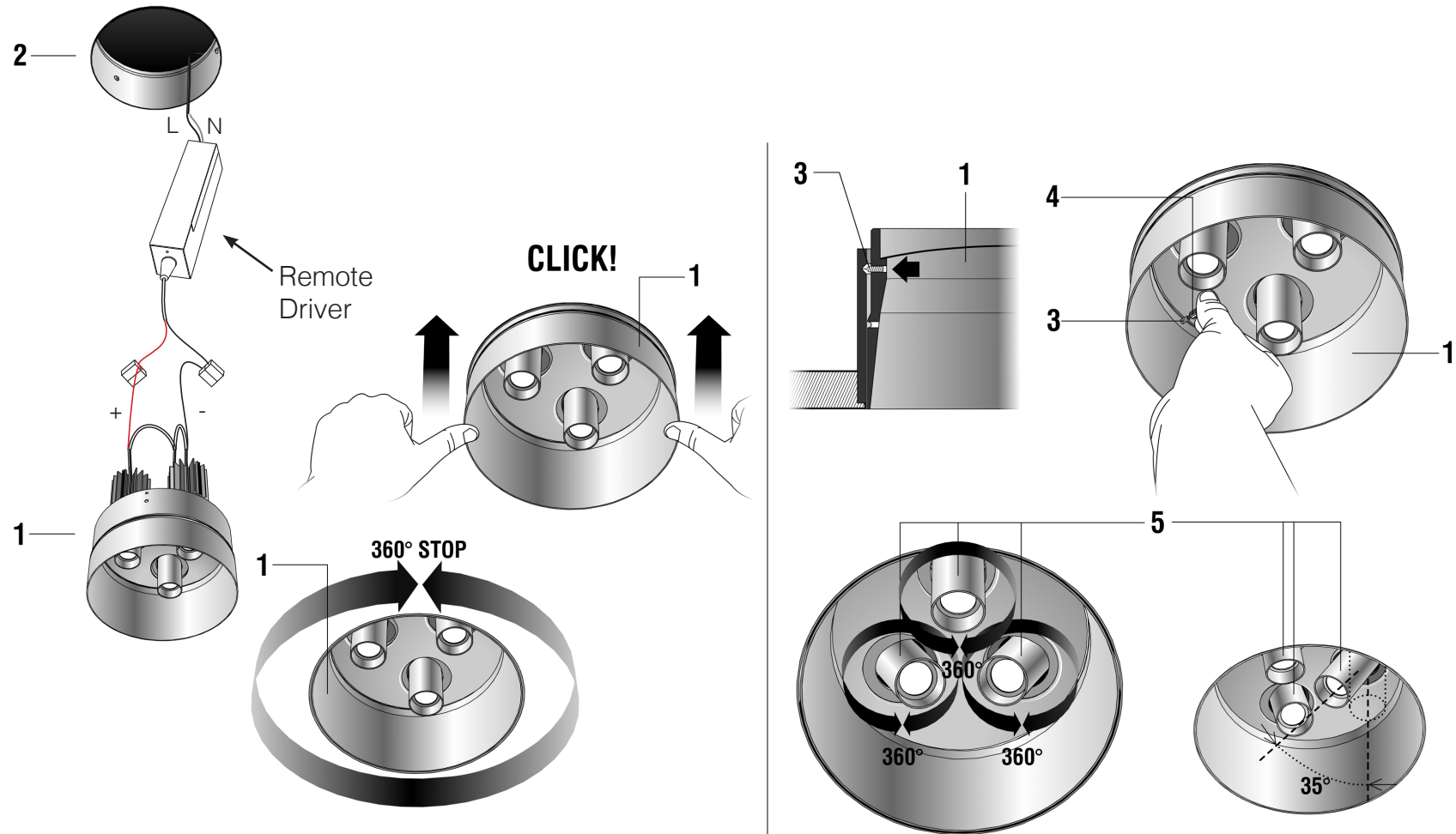
- 1) Make the connection to the remote driver.
- 2) Insert the body of the lamp (1) in the housing beforehand built into the ceiling (2), until the CLICK coupling.
- 3) Adjust screw (3) with the given key (4) so to come flush with the inner surface of the lamp (see unit attached).
- 4) Finally adjust element (1) turning it and element (5), turning or tilting as required.

POP™ 03 Ø17 - TRIPLE LED

RECESSED

TYPE:

PROJECT NAME:



- 1) Make the connection to the remote driver.
- 2) Insert the body of the lamp (1) in the housing beforehand built into the ceiling (2), until the CLICK coupling.
- 3) Adjust screw (3) with the given key (4) so to come flush with the inner surface of the lamp (see unit attached).
- 4) Finally adjust element (1) turning it and element (5), turning or tilting as required.